

Job Name: 25-4272 Chestnut Street Utility Rehab
Job Location: Evansville, IN
Contractor: Bowen Engineering Corporation

PC: A. Chambers
 TECH: J. Copping
 Plant: Beaver Dam



Structure ID: 107
 Spec: Storm
 Type: STM.MH
 Size: 60"

Rim: 377.54'
 Invert: 364.95'
 Rim to Invert: 12.59'

Sump: 3.5"
 Floor (Top): 364.658'
 Floor Height: 8"

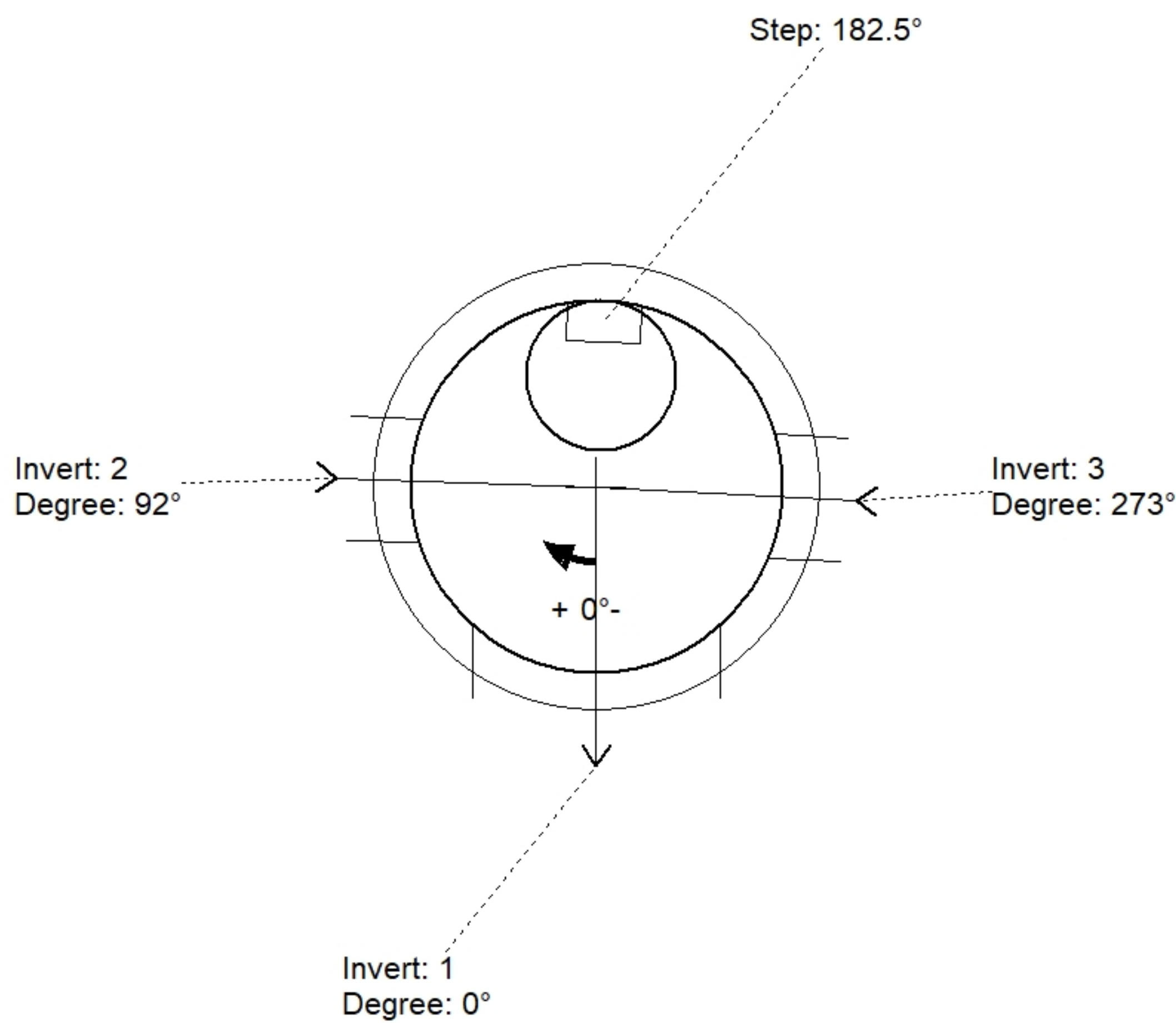
Floor (Bot): 363.992'
 Overall Height: 13.333'
 Slack: 2.58"

Structure Notes:

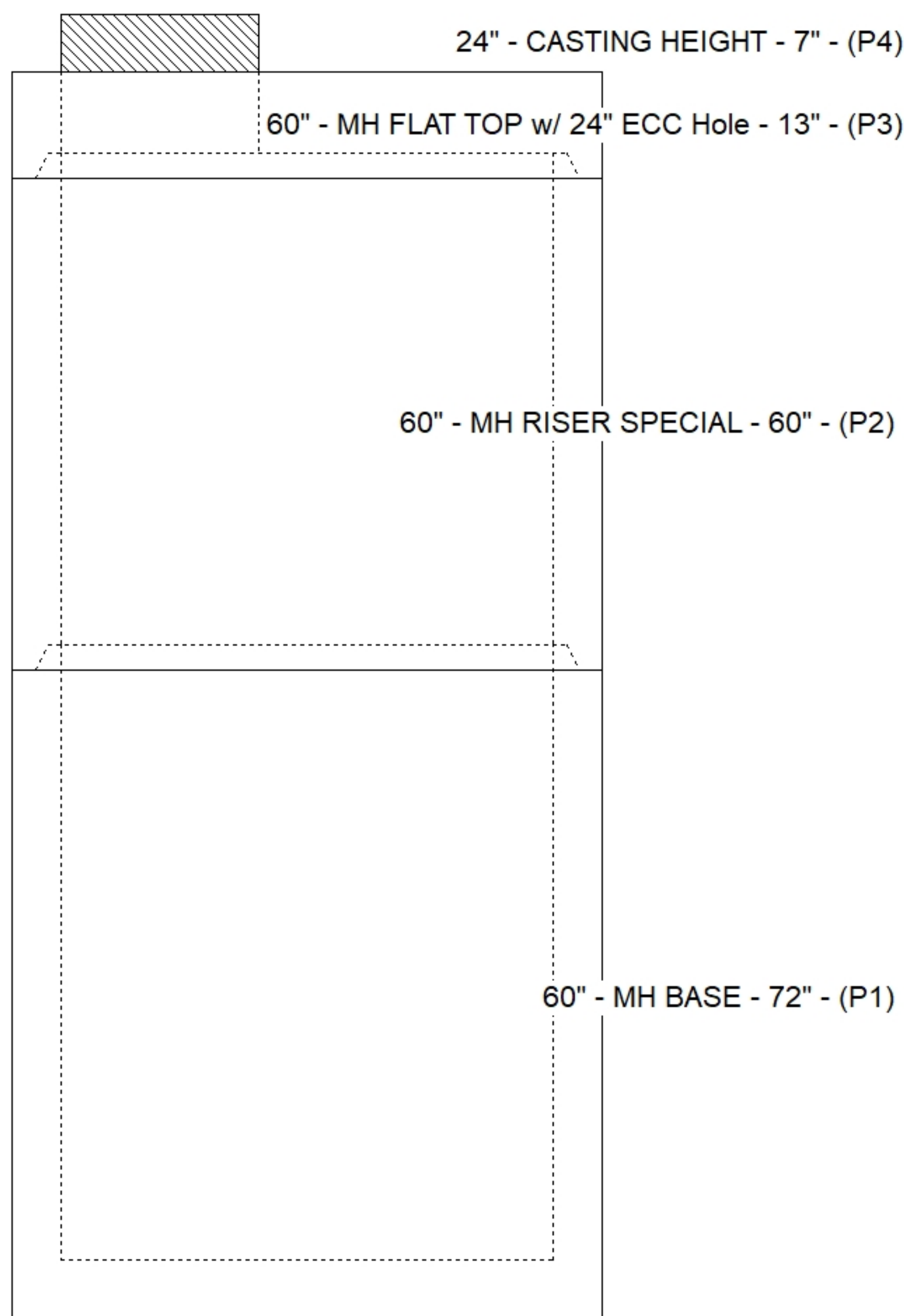
1. JR HOE MC-315 STORM PROVIDED BY ICAST.
2. PER ASTM C478 SPECIFICATIONS.
3. CONCRETE = 4,000 PSI AT 28 DAYS.
4. REINFORCING PER ASTM A615 (GRADE 60).
 - TOP SLAB (As .62) #5 BARS AT 6" C.C.E.W..
 - RISER/WALLS (As .18)
 - FLOOR (As .37) #5 BARS AT 10" C.C.E.W.

STRUCTURE SUMMARY:

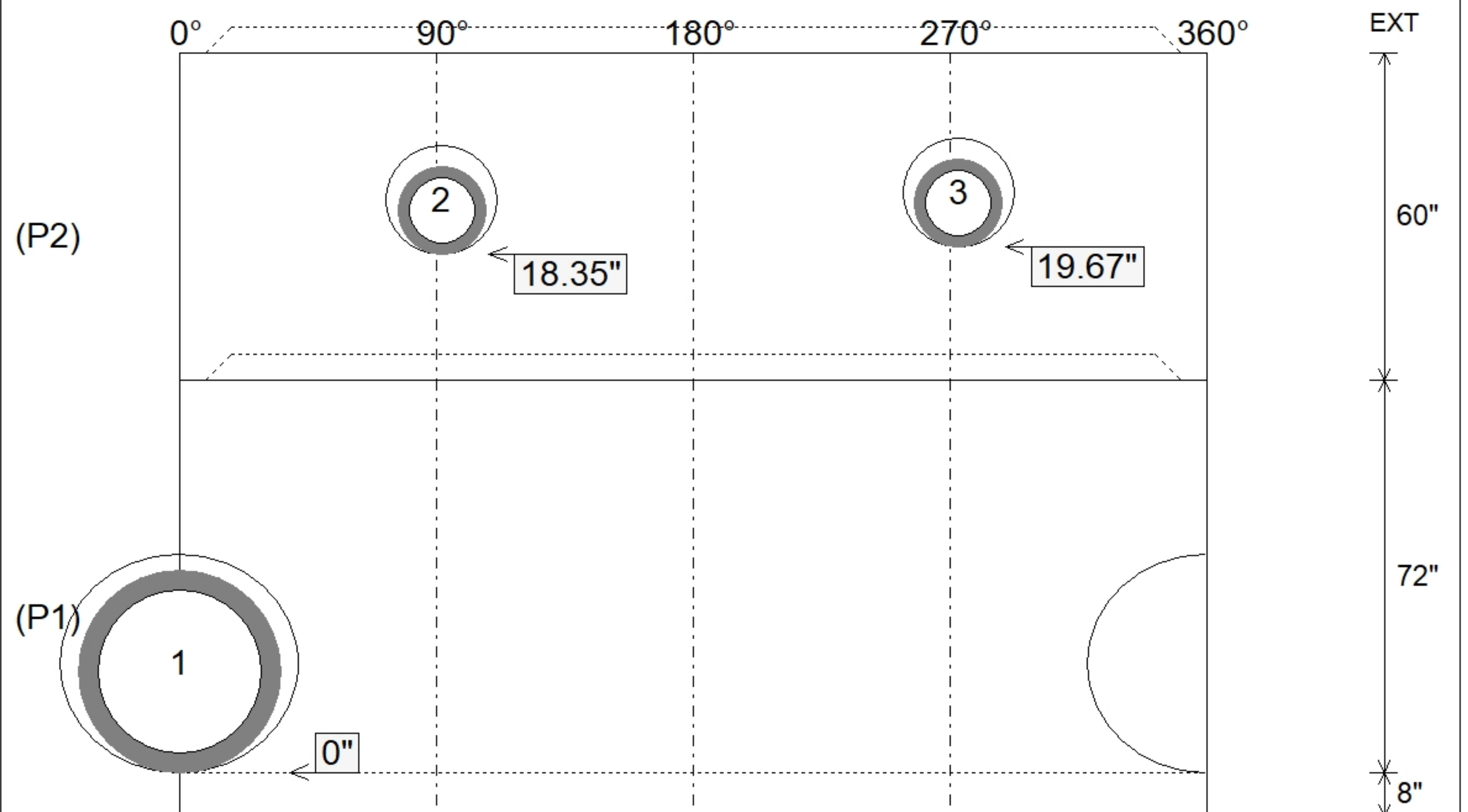
P4) 24" - CASTING HEIGHT - 7"	0 lb
P3) 60" - MH FLAT TOP w/ 24" ECC Hole - 13"	2869 lb
P2) 60" - MH RISER SPECIAL - 60"	5942 lb
P1) 60" - MH BASE - 72"	9568 lb
1) CASTING - HOE MC-315 F/C Storm	258 lb
2) 60" - Conseal CS-102 1.00"	0 lb
1) Hole - 40	0 lb
2) Hole - 20	0 lb
11) MH Step ML-10-TDS-NCR - 10"	0 lb
Structure Total:	18637 lb



Position	Elev	Angle	Pipe	Pipe OD	Hole	Connector	Up (")	Ref
Rim	377.54'							
Reducer								
Invert 1	364.95'	0°	30" RCP B WALL	37"	40"	Hole 40	0"	P1
Invert 2	372.75'	92°	12" RCP B WALL	16"	20"	Hole 20	18.35"	P2
Invert 3	372.86'	273°	12" RCP B WALL	16"	20"	Hole 20	19.67"	P2
Invert 4								
Invert 5								
Invert 6								
Invert 7								
Invert 8								



Default - Interior Dimensions



Submittal Drawing
 10/27/2025 7:34:01 AM

SUBMITTAL
 APPROVED BY: