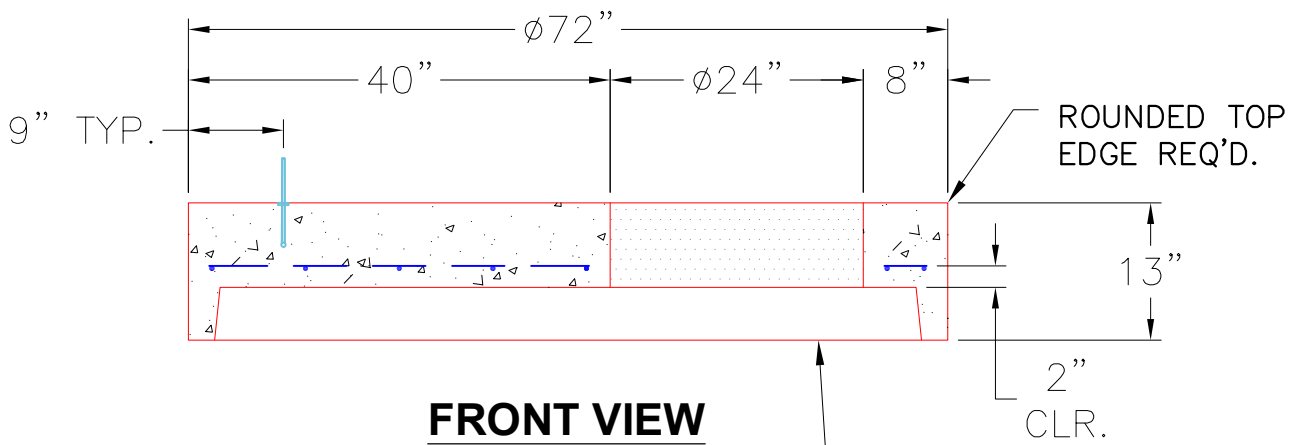
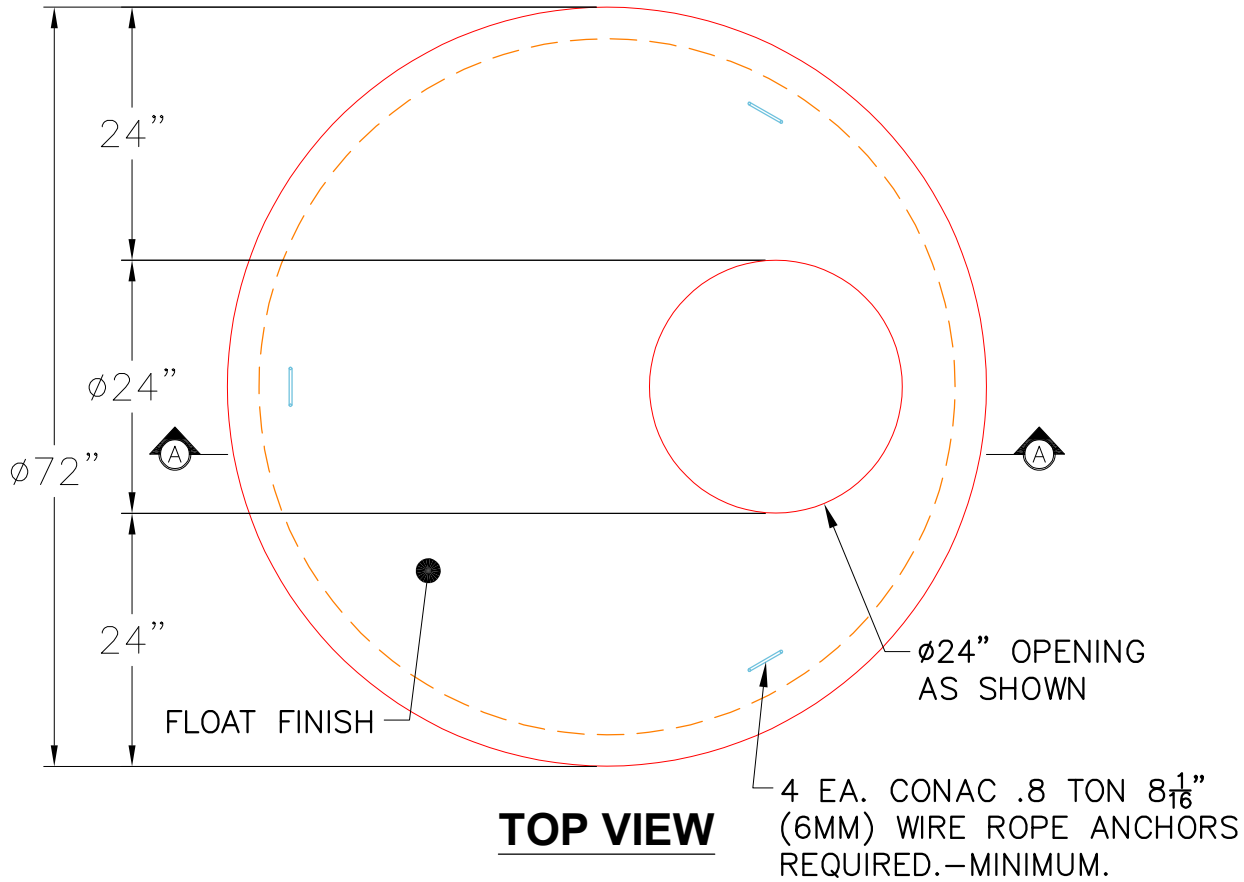


THIS DRAWING IS INTENDED TO BE PRINTED IN COLOR.

GENERAL NOTES:

1. MANUFACTURED TO ASTM C-478 (LATEST REVISION).
2. CONCRETE 5,000 PSI AT 28 DAYS.
3. REINFORCING: #4 @ 9" O.C. E.W. (GRADE 60) WITH ADDITIONAL #4 BAR AROUND OPENING.



| | | | | |
|--|--|------------------------------|--|--|
| PRODUCTION WORK ORDER | | PRODUCT I.D.: MH060LD13SP | DESCRIPTION: 60"ø X 13" MH TOP SLAB 24"X 48" OPENING LOUMSD | |
| | QUALITY CONTROL CHECKLIST | | PRODUCT VIEW: RIGHT SIDE UP | |
| | <input type="checkbox"/> ALL DIMENSIONS CORRECT. | | CUSTOMER: BOWEN ENGINEERING CORPORATION | |
| | <input type="checkbox"/> LIFTERS INSTALLED. | | PROJECT: CHESTNUT STREET UTILITY REHAB | |
| | <input type="checkbox"/> HOLE LOCATION CORRECT. | | STRUCTURE: 107 | |
| | <input type="checkbox"/> REINFORCING CORRECT. | | QUOTE/SALES ORDER NO: 25-4272 | |
| <input type="checkbox"/> FINISH ON SLAB SURFACE UNIFORM. | | PC: A. CHAMBERS | | |
| <input type="checkbox"/> OUTSIDE TOP EDGE TROWELLED. | | DRAWING: J. COPPAGE | | |
| <input type="checkbox"/> GROOVE JOINT INSTALLED. | | DATE: 10/23/25 | | |
| | | SCALE: NTS | | |
| | | PG. 1 of 1 | | |