

Job Name: 25-4272 Chestnut Street Utility Rehab
 Job Location: Evansville, IN
 Contractor: Bowen Engineering Corporation

Plant: Beaver Dam

Tech: J. Coppage

10/23/2025 3:08:20 PM

PC: A. Chambers



Structure ID: 103

P3 MH060RSVF

MH RISER Custom Ht

- P5) 24" - CASTING HEIGHT - 7"
- P4) 60" - MH FLAT TOP w/ 24" ECC Hole - 13"
- P3) 60" - MH RISER Custom Ht - 58"
- P2) 60" - MH RISER - 36"
- P1) 60" - MH BASE - 60"
- 1) CASTING - HOE MC-315 F/C Storm
- 3) 60" - Conseal CS-102 1.00"
- 2) Hole - 40
- 2) Hole - 20
- 8) MH Step ML-10-TDS-NCR - 10"

0 lb
 2869 lb
 5733 lb
 3758 lb
 7633 lb
 258 lb
 0 lb
 0 lb
 0 lb
 0 lb

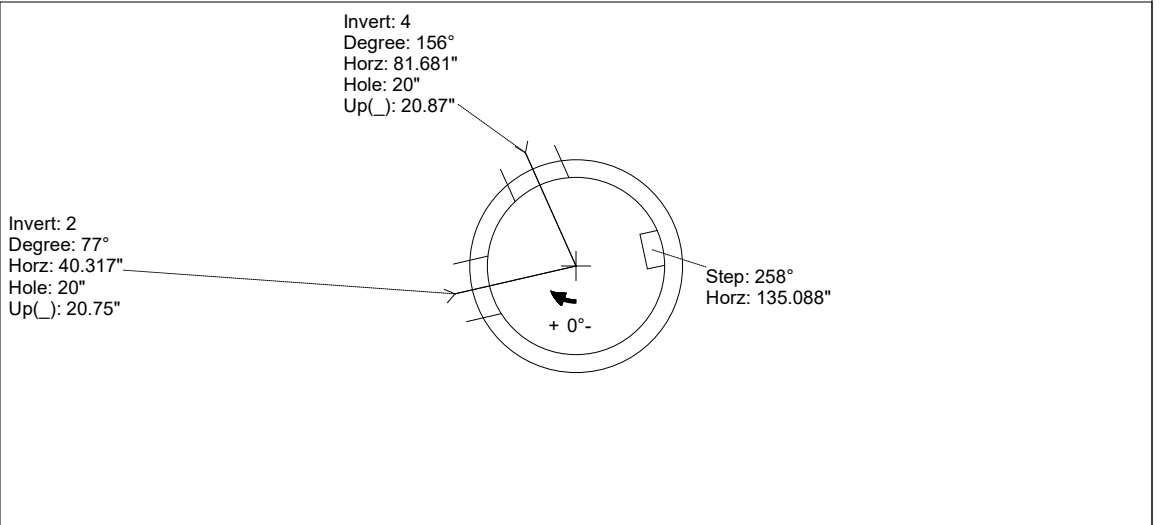
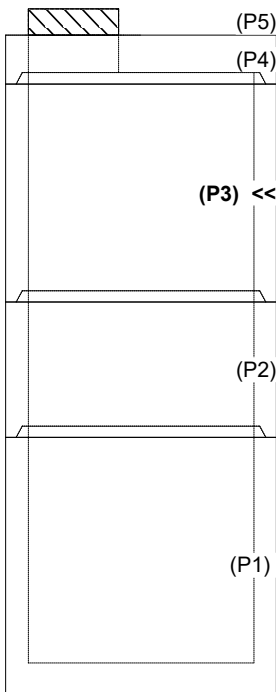
 Structure Total: 20252 lb

- Structure Notes:**
1. JR HOE MC-315 STORM PROVIDED BY ICAST.
 2. PER ASTM C478 SPECIFICATIONS.
 3. CONCRETE = 4,000 PSI AT 28 DAYS.
 4. REINFORCING PER ASTM A615 (GRADE 60).
 - TOP SLAB (As .62) #5 BARS AT 6" C.C.E.W..
 - RISER/WALLS (As .18)
 - FLOOR (As .37) #5 BARS AT 10" C.C.E.W.

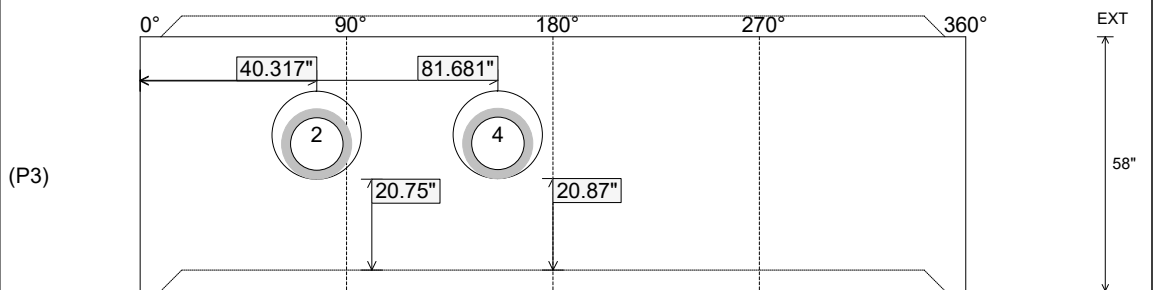
Rim: 379.31' Rim to Invert: 14.51' Slack: 3.62" Sump: 3.5" Step Position: 258"

Position	Elev	Angle	Ext. (cw)	Pipe	Pipe OD	Connector	Hole	Horz Size	Up ()	Offset
Invert 1										
Invert 2	374.8'	77°	48.381"	12" RCP B WALL	16"	Hole 20	20"	20.39"	20.75"	0"
Invert 3										
Invert 4	374.81'	156°	98.018"	12" RCP B WALL	16"	Hole 20	20"	20.39"	20.87"	0"
Invert 5										
Invert 6										
Invert 7										
Invert 8										

RIGHT-SIDE UP VIEW (int. dimensions)



INSIDE WALL DIMENSIONS



Coating (Int):
 Coating (Ext):

Seam Up: Tongue
 Seam Dn: Groove

Wall Thickness: 6"
 Floor Height: 0"

Height (Int): 58"
 Height (Ext): 58"

Weight (Net): 5733 lb
 Volume (Net): 1.46cu.yd