

Job Name: 25-4272 Chestnut Street Utility Rehab
Job Location: Evansville, IN
Contractor: Bowen Engineering Corporation

PC: A. Chambers
 TECH: J. Coppage
 Plant: Beaver Dam



Structure ID: 102
 Spec: Storm
 Type: STM.MH
 Size: 60"

Rim: 378.98'
 Invert: 364.68'
 Rim to Invert: 14.3'

Sump: 3.5"
 Floor (Top): 364.388'
 Floor Height: 8"

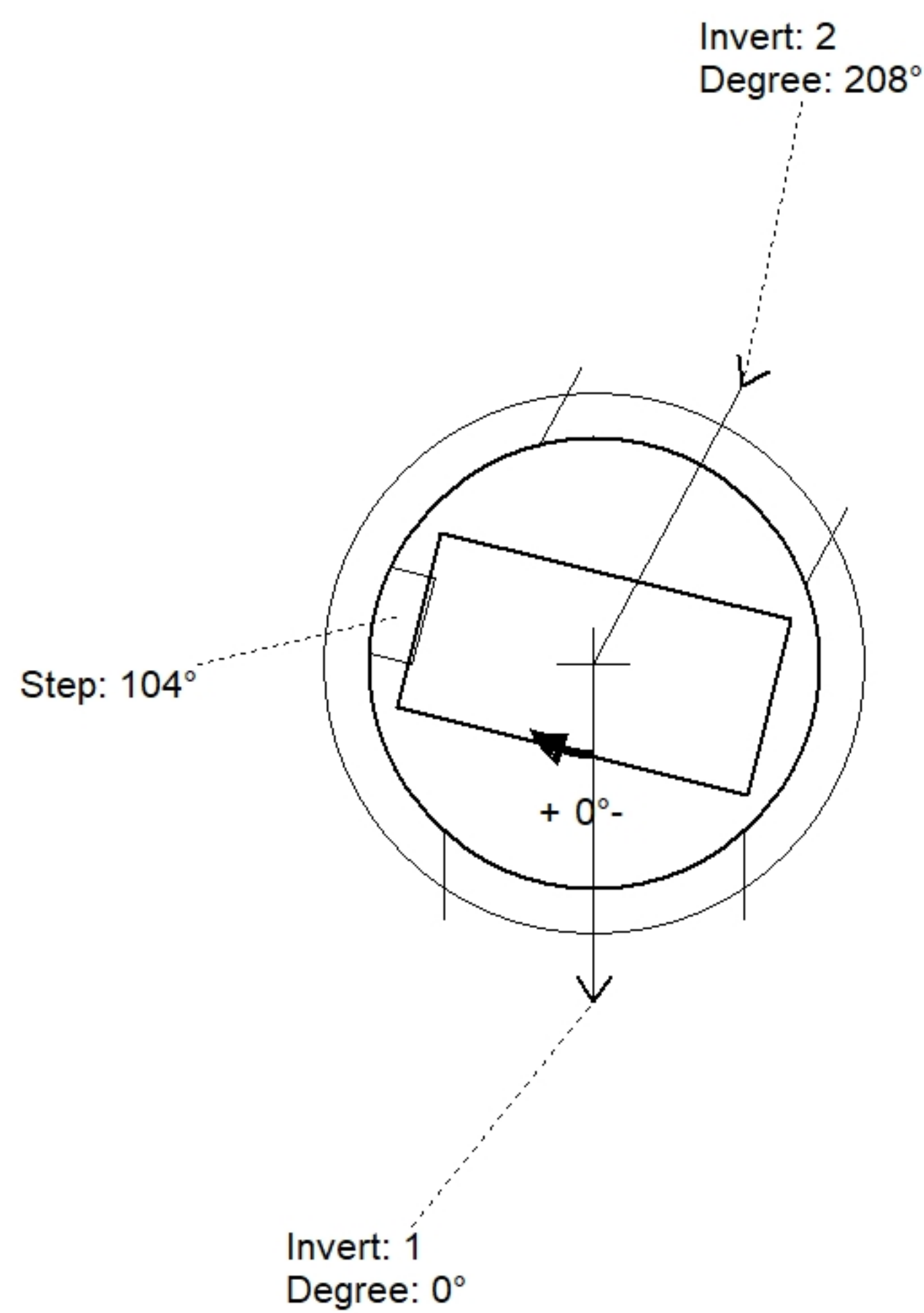
Floor (Bot): 363.722'
 Overall Height: 15'
 Slack: 3.1"

Structure Notes:

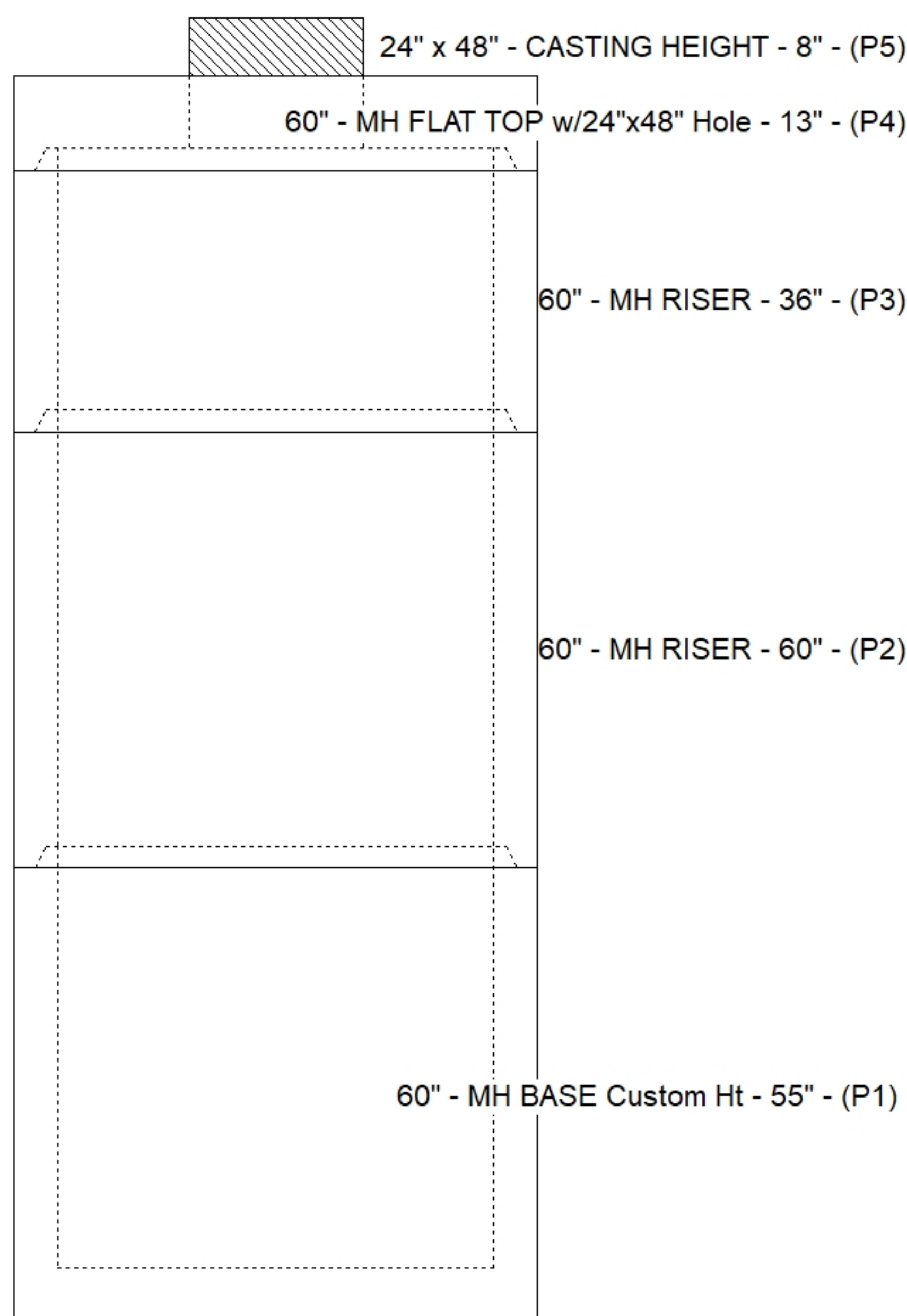
1. JR HOE R-3287-5 PROVIDED BY ICAST.
2. PER ASTM C478 SPECIFICATIONS.
3. CONCRETE = 4,000 PSI AT 28 DAYS.
4. REINFORCING PER ASTM A615 (GRADE 60).
 - TOP SLAB (As .62) #5 BARS AT 6" C.C.E.W..
 - RISER/WALLS (As .18)
 - FLOOR (As .37) #5 BARS AT 10" C.C.E.W.

STRUCTURE SUMMARY:

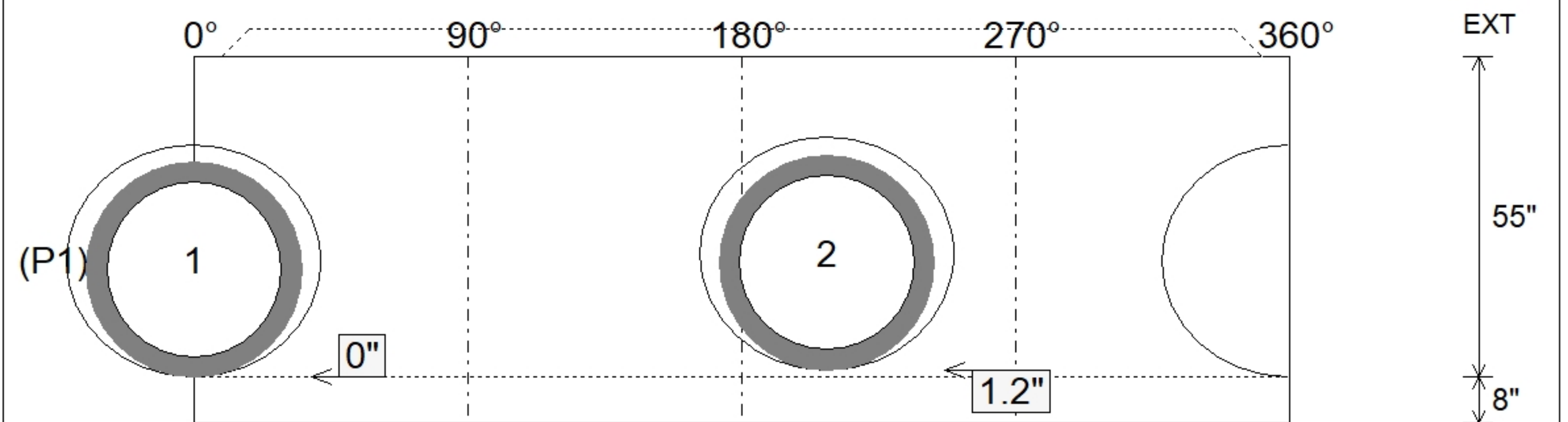
P5) 24" x 48" - CASTING HEIGHT - 8"	0 lb
P4) 60" - MH FLAT TOP w/24"x48" Hole - 13"	2272 lb
P3) 60" - MH RISER - 36"	3758 lb
P2) 60" - MH RISER - 60"	6264 lb
P1) 60" - MH BASE Custom Ht - 55"	7111 lb
1) CASTING - HOE R-3287-5 SET (F/G/H)	442 lb
3) 60" - Conseal CS-102 1.00"	0 lb
1) 24" x 48" - Conseal CS-102 1.00"	0 lb
2) Hole - 40	0 lb
12) MH Step ML-10-TDS-NCR - 10"	0 lb
Structure Total:	19847 lb



Position	Elev	Angle	Pipe	Pipe OD	Hole	Connector	Up (L)	Ref
Rim	378.98'							
Reducer								
Invert 1	364.68'	0°	30" RCP B WALL	37"	40"	Hole 40	0"	P1
Invert 2	364.78'	208°	30" RCP B WALL	37"	40"	Hole 40	1.2"	P1
Invert 3								
Invert 4								
Invert 5								
Invert 6								
Invert 7								
Invert 8								



Default - Interior Dimensions



Submittal Drawing
 10/27/2025 7:33:59 AM

SUBMITTAL
 APPROVED BY: