

Job Name: 25-4272 Chestnut Street Utility Rehab
Job Location: Evansville, IN
Contractor: Bowen Engineering Corporation

PC: A. Chambers
 TECH: J. Coppage
 Plant: Beaver Dam



Structure ID: 101
 Spec: Storm
 Type: STM.MH Transition
 Size: 60"

Rim: 377.66'
 Invert: 364.57'
 Rim to Invert: 13.09'

Sump: 3.5"
 Floor (Top): 364.278'
 Floor Height: 8"

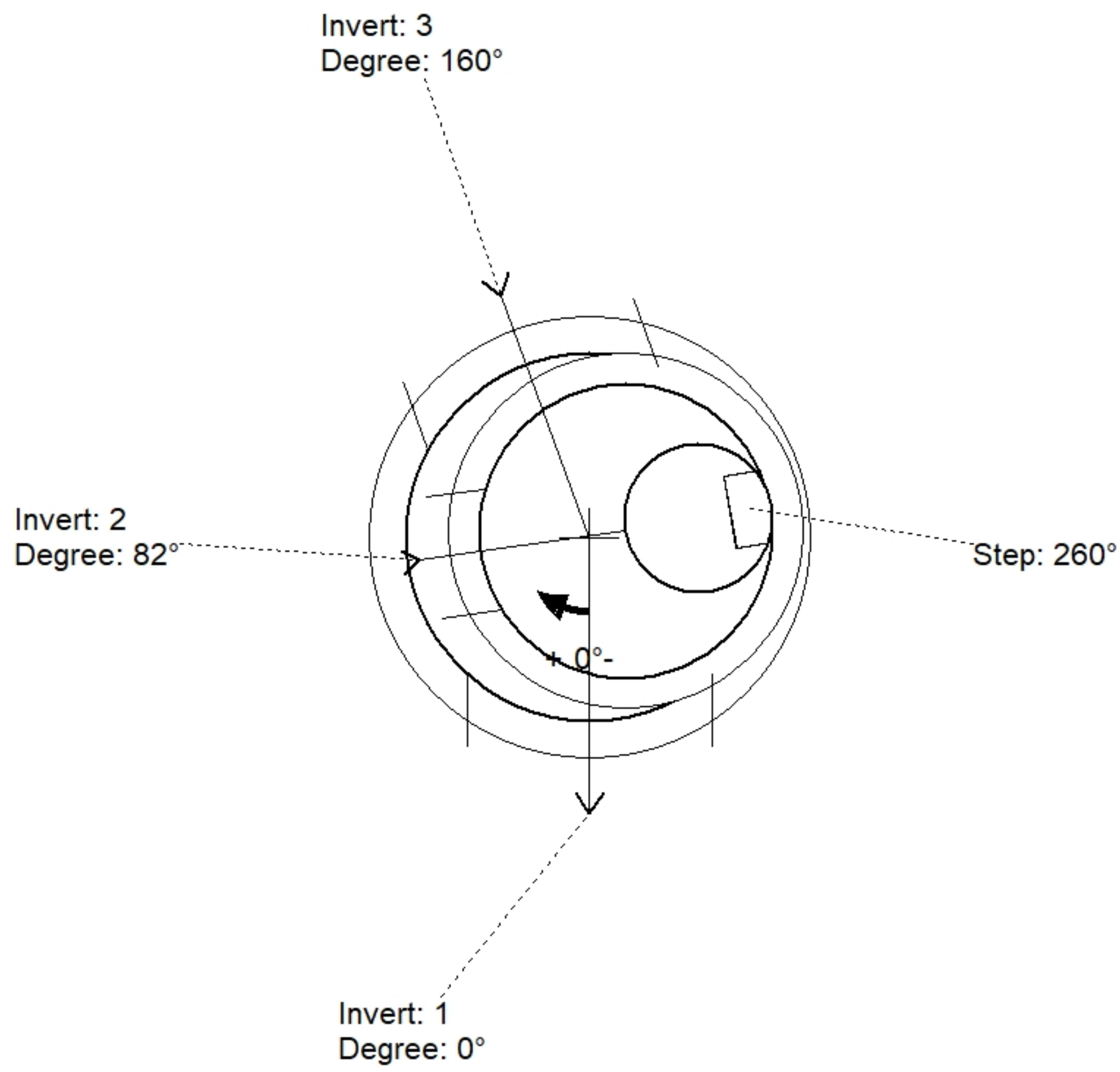
Floor (Bot): 363.612'
 Overall Height: 13.833'
 Slack: 2.58"

Structure Notes:

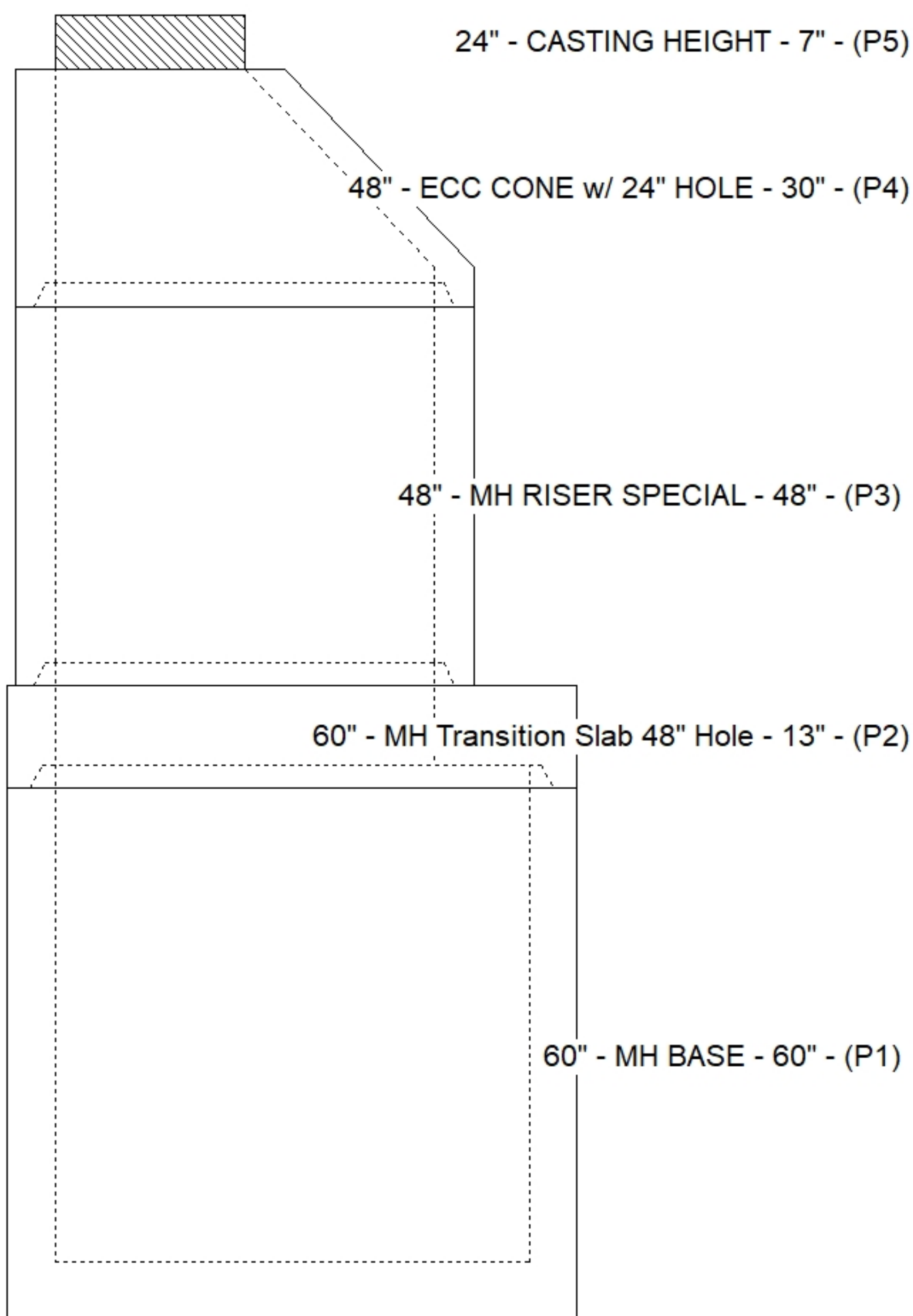
- JR HOE MCB-315-BH PROVIDED BY ICAST.
- PER ASTM C478 SPECIFICATIONS.
- CONCRETE = 4,000 PSI AT 28 DAYS.
- REINFORCING PER ASTM A615 (GRADE 60).
 - TOP SLAB (As .62) #5 BARS AT 6" C.C.E.W..
 - RISER/WALLS (As .18)
 - FLOOR (As .37) #5 BARS AT 10" C.C.E.W.
- VERIFY THE PIPE SIZE AND TYPE OF THE SW INLET PIPE. 12" RCP IS ASSUMED.

STRUCTURE SUMMARY:

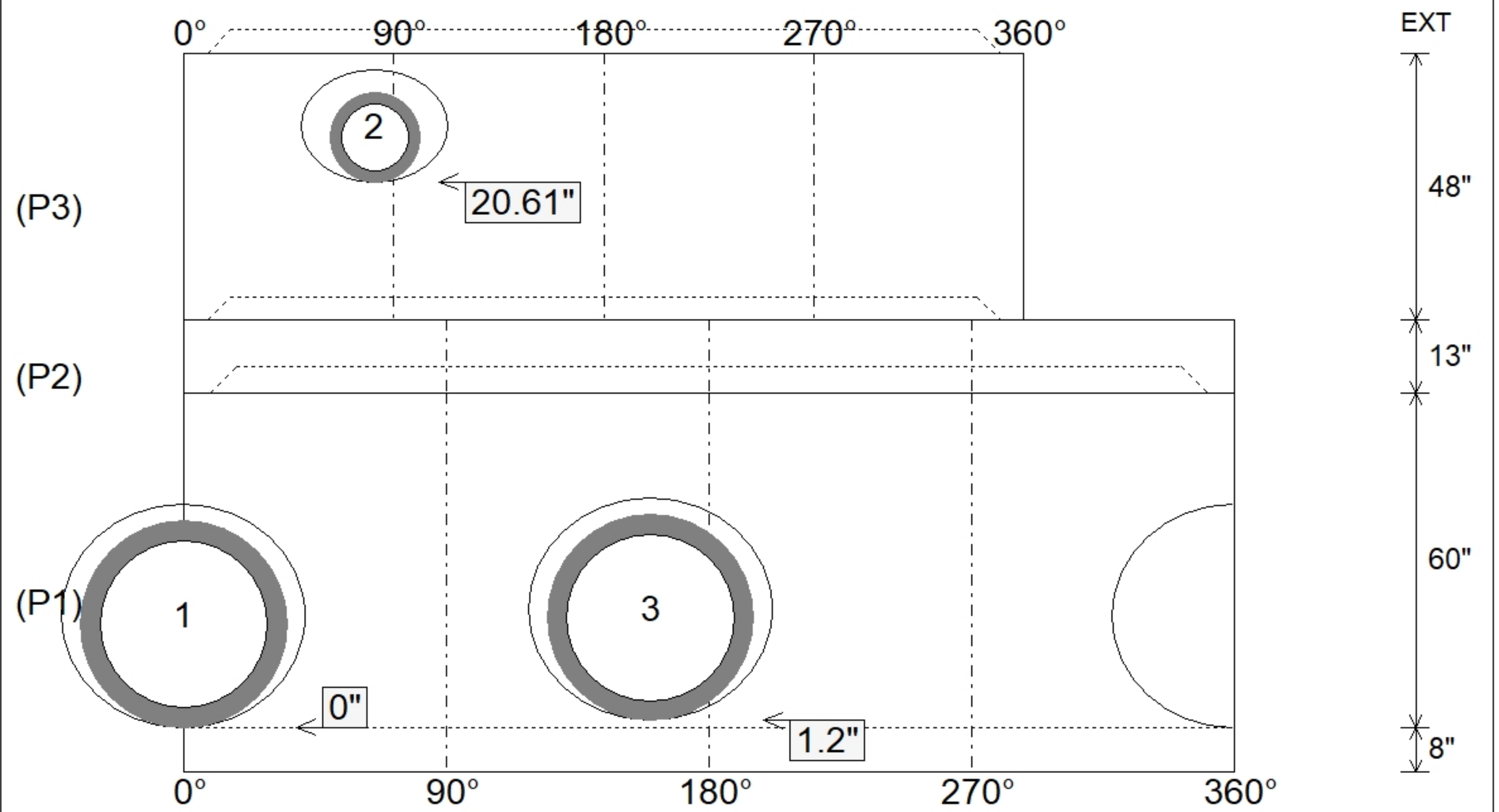
P5) 24" - CASTING HEIGHT - 7"	0 lb
P4) 48" - ECC CONE w/ 24" HOLE - 30"	2050 lb
P3) 48" - MH RISER SPECIAL - 48"	3218 lb
P2) 60" - MH Transition Slab 48" Hole - 13"	1928 lb
P1) 60" - MH BASE - 60"	7633 lb
1) CASTING - HOE MCB-315-BH Fr./Grate	250 lb
1) 60" - Conseal CS-202 1.00"	0 lb
2) 48" - Conseal CS-202 1.00"	0 lb
2) Hole - 40	0 lb
1) Hole - 20	0 lb
12) MH Step ML-10-TDS-NCR - 10"	0 lb
Structure Total:	15079 lb



Position	Elev	Angle	Pipe	Pipe OD	Hole	Connector	Up (L)	Ref
Rim	377.66'							
Reducer	369.278'							
Invert 1	364.57'	0°	30" RCP B WALL	37"	40"	Hole 40	0"	P1
Invert 2	372.6'	82°	12" RCP B WALL	16"	20"	Hole 20	20.61"	P3
Invert 3	364.67'	160°	30" RCP B WALL	37"	40"	Hole 40	1.2"	P1
Invert 4								
Invert 5								
Invert 6								
Invert 7								
Invert 8								



Default - Interior Dimensions



Submittal Drawing
 10/27/2025 7:33:59 AM

SUBMITTAL
 APPROVED BY: