

Job Name: 25-4272 Chestnut Street Utility Rehab
 Job Location: Evansville, IN
 Contractor: Bowen Engineering Corporation

Plant: Beaver Dam
 10/23/2025 3:07:52 PM

Tech: J. Coppage
 PC: A. Chambers



Structure ID: 101

P1 MH060BA60

MH BASE

- P5) 24" - CASTING HEIGHT - 7"
- P4) 48" - ECC CONE w/ 24" HOLE - 30"
- P3) 48" - MH RISER SPECIAL - 48"
- P2) 60" - MH Transition Slab 48" Hole - 13"
- P1) 60" - MH BASE - 60"
- 1) CASTING - HOE MCB-315-BH Fr./Grate
- 1) 60" - Conseal CS-202 1.00"
- 2) 48" - Conseal CS-202 1.00"
- 2) Hole - 40
- 1) Hole - 20
- 12) MH Step ML-10-TDS-NCR - 10"

0 lb
 2050 lb
 3218 lb
 1928 lb
 7633 lb
 250 lb
 0 lb
 0 lb
 0 lb
 0 lb
 0 lb
 0 lb

 Structure Total: 15079 lb

Structure Notes:

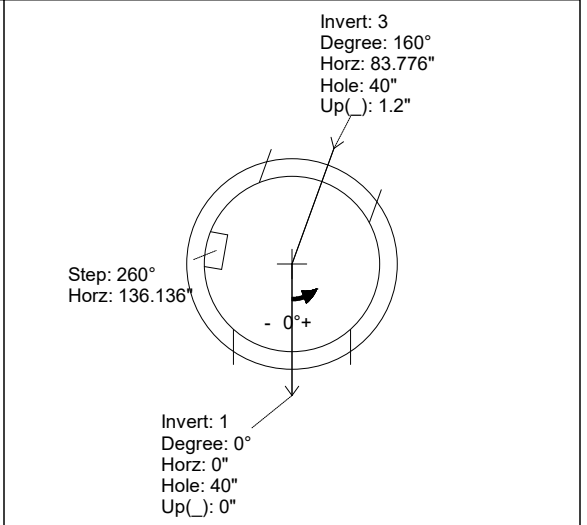
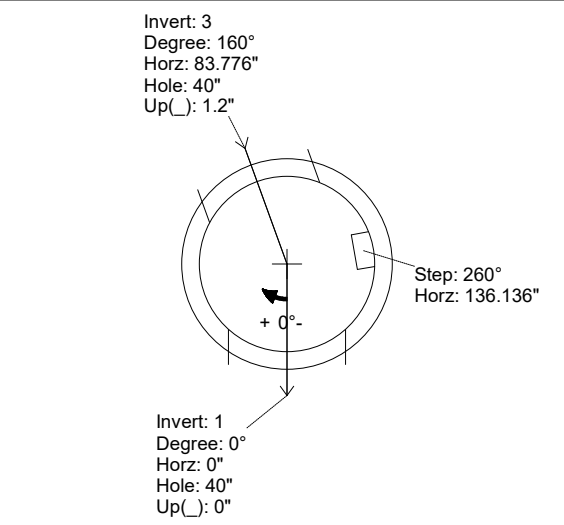
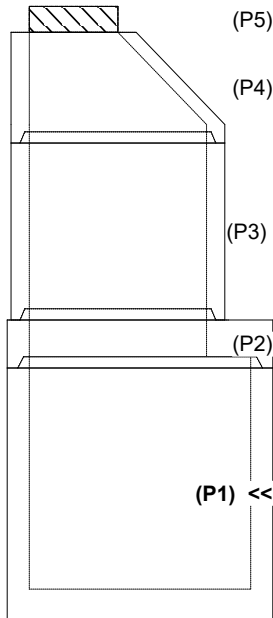
1. JR HOE MCB-315-BH PROVIDED BY ICAST.
2. PER ASTM C478 SPECIFICATIONS.
3. CONCRETE = 4,000 PSI AT 28 DAYS.
4. REINFORCING PER ASTM A615 (GRADE 60).
 - TOP SLAB (As .62) #5 BARS AT 6" C.C.E.W..
 - RISER/WALLS (As .18)
 - FLOOR (As .37) #5 BARS AT 10" C.C.E.W.
5. VERIFY THE PIPE SIZE AND TYPE OF THE SW INLET PIPE. 12" RCP IS ASSUMED.

Rim: 377.66' Rim to Invert: 13.09' Slack: 2.58' Sump: 3.5' Step Position: 260°

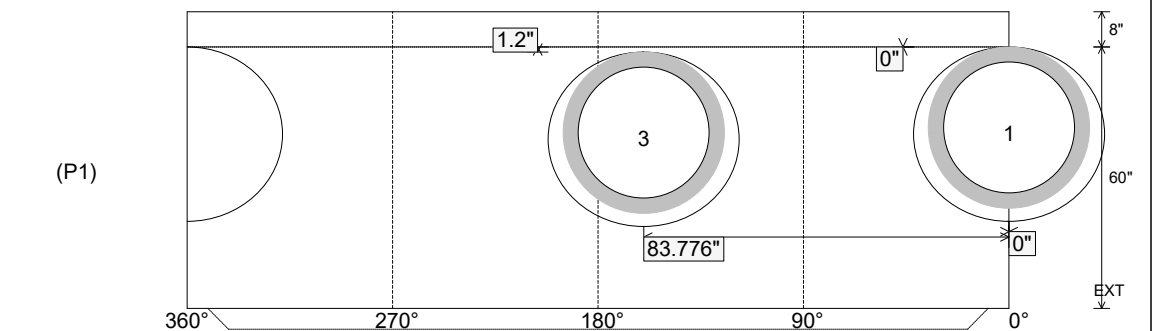
Position	Elev	Angle	Ext. (cw)	Pipe	Pipe OD	Connector	Hole	Horz Size	Up ()	Offset
Invert 1	364.57'	0°	0"	30" RCP B WALL	37"	Hole 40	40"	43.784"	0"	0"
Invert 2										
Invert 3	364.67'	160°	100.531"	30" RCP B WALL	37"	Hole 40	40"	43.784"	1.2"	0"
Invert 4										
Invert 5										
Invert 6										
Invert 7										
Invert 8										

RIGHT-SIDE UP VIEW (int. dimensions)

UPSIDE-DOWN VIEW (int. dimensions)



INSIDE WALL DIMENSIONS



Coating (Int):
 Coating (Ext):

Seam Up: Tongue
 Seam Dn: n/a

Wall Thickness: 6"
 Floor Height: 8"

Height (Int): 60"
 Height (Ext): 68"

Weight (Net): 7633 lb
 Volume (Net): 1.95cu.yd