

**Job Name: 25-4272 Chestnut Street Utility Rehab**  
**Job Location: Evansville, IN**  
**Contractor: Bowen Engineering Corporation**

PC: A. Chambers  
 TECH: J. Coppage  
 Plant: Beaver Dam



Structure ID: 100  
 Spec: Storm  
 Type: STM.MH Transition  
 Size: 60"

Rim: 379.53'  
 Invert: 364.45'  
 Rim to Invert: 15.08'

Sump: 3.5"  
 Floor (Top): 364.158'  
 Floor Height: 8"

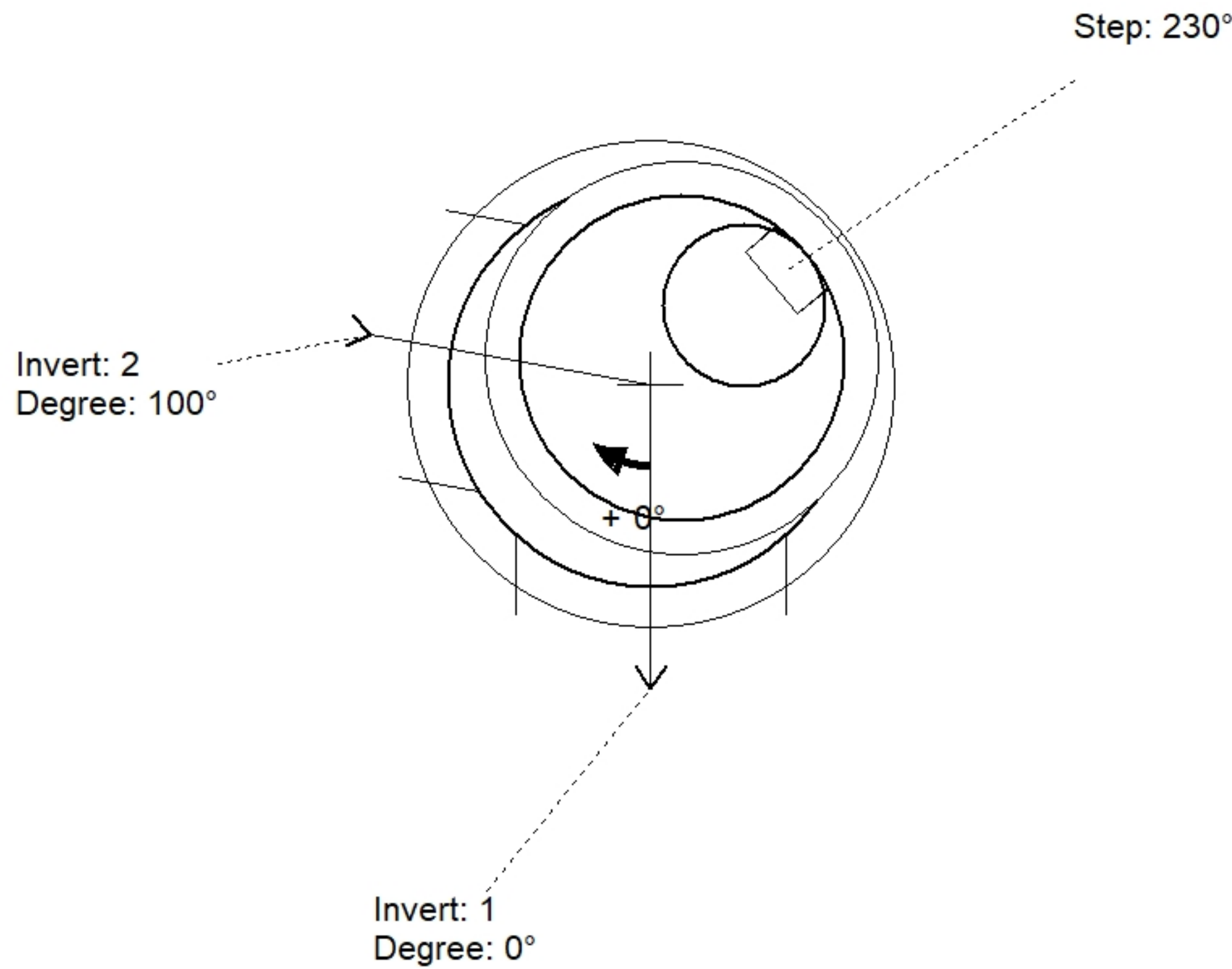
Floor (Bot): 363.492'  
 Overall Height: 15.833'  
 Slack: 2.46"

**Structure Notes:**

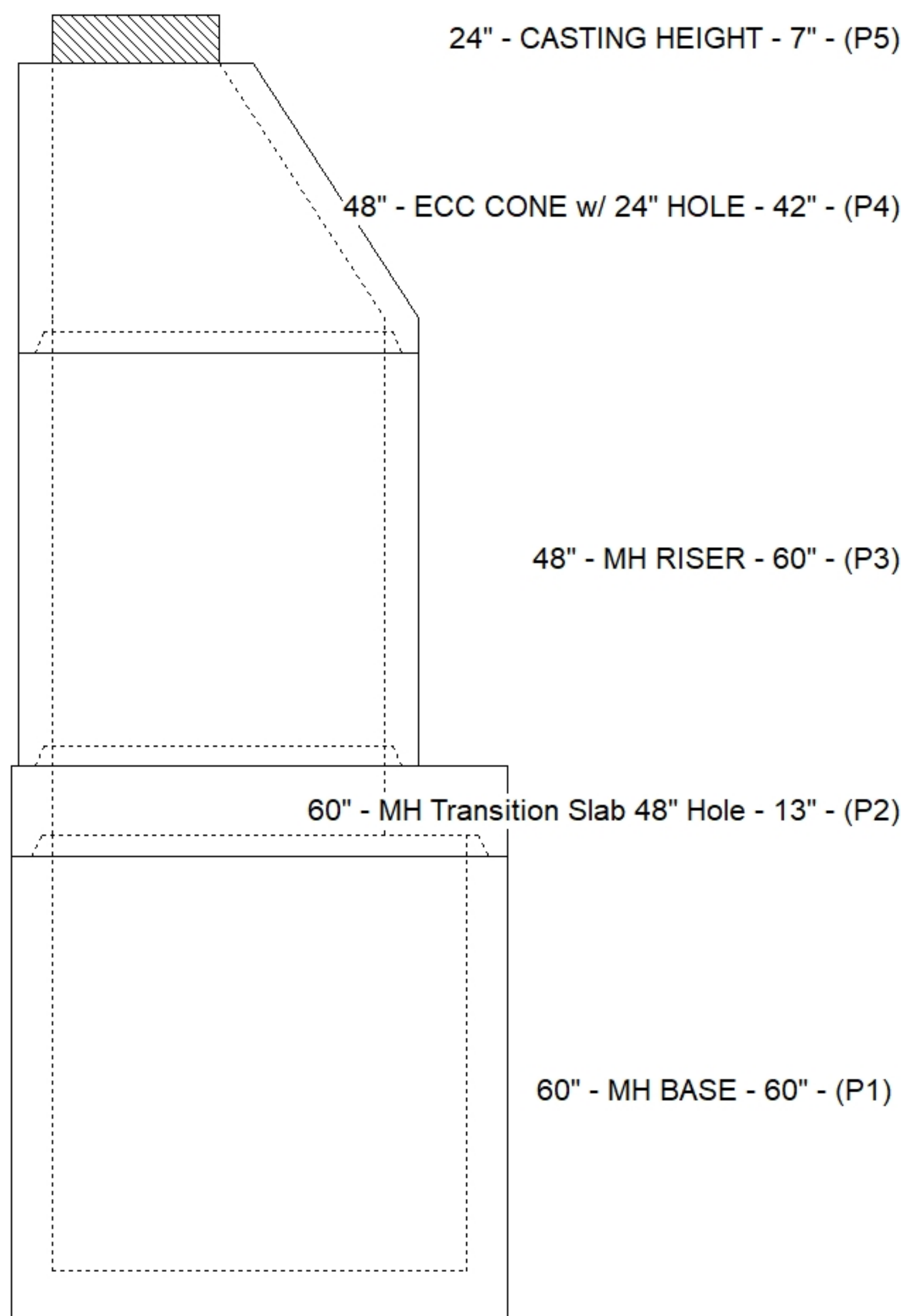
- JR HOE MC-315 STORM PROVIDED BY ICAST.
- PER ASTM C478 SPECIFICATIONS.
- CONCRETE = 4,000 PSI AT 28 DAYS.
- REINFORCING PER ASTM A615 (GRADE 60).  
 - TOP SLAB (As .62) #5 BARS AT 6" C.C.E.W..  
 - RISER/WALLS (As .18)  
 - FLOOR (As .37) #5 BARS AT 10" C.C.E.W.

**STRUCTURE SUMMARY:**

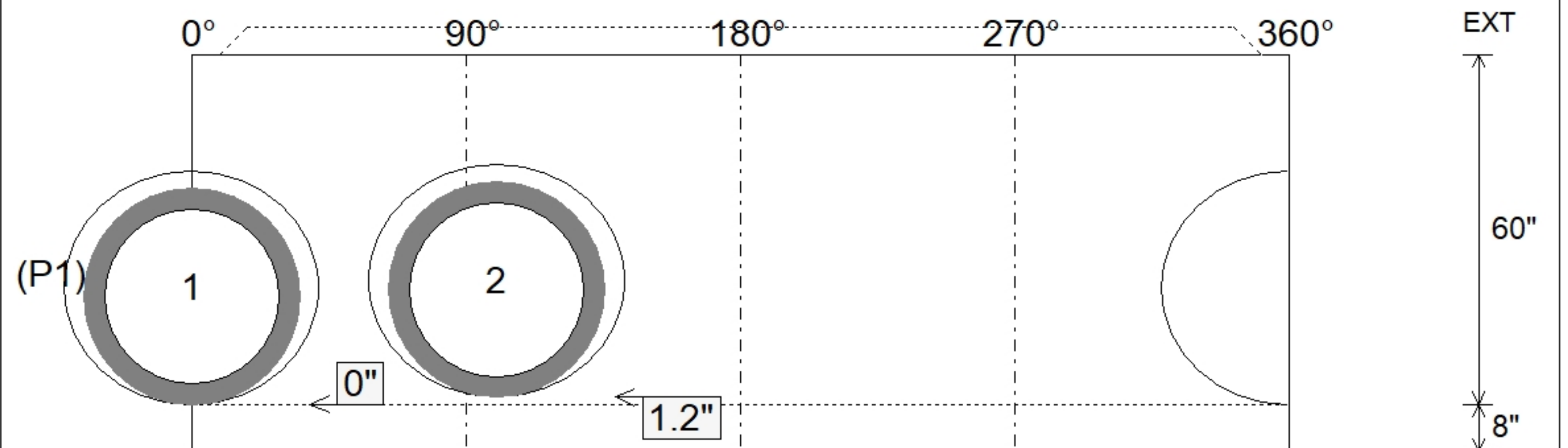
P5) 24" - CASTING HEIGHT - 7"	0 lb
P4) 48" - ECC CONE w/ 24" HOLE - 42"	3200 lb
P3) 48" - MH RISER - 60"	4192 lb
P2) 60" - MH Transition Slab 48" Hole - 13"	1928 lb
P1) 60" - MH BASE - 60"	7633 lb
1) CASTING - HOE MC-315 F/C Storm	258 lb
1) 60" - Conseal CS-202 1.00"	0 lb
2) 48" - Conseal CS-202 1.00"	0 lb
2) Hole - 40	0 lb
14) MH Step ML-10-TDS-NCR - 10"	0 lb
<b>Structure Total:</b>	<b>17211 lb</b>



Position	Elev	Angle	Pipe	Pipe OD	Hole	Connector	Up (")	Ref
Rim	379.53'							
Reducer	369.158'							
Invert 1	364.45'	0°	30" RCP B WALL	37"	40"	Hole 40	0"	P1
Invert 2	364.55'	100°	30" RCP B WALL	37"	40"	Hole 40	1.2"	P1
Invert 3								
Invert 4								
Invert 5								
Invert 6								
Invert 7								
Invert 8								



**Default - Interior Dimensions**



Submittal Drawing  
 10/27/2025 7:33:58 AM

SUBMITTAL  
 APPROVED BY: