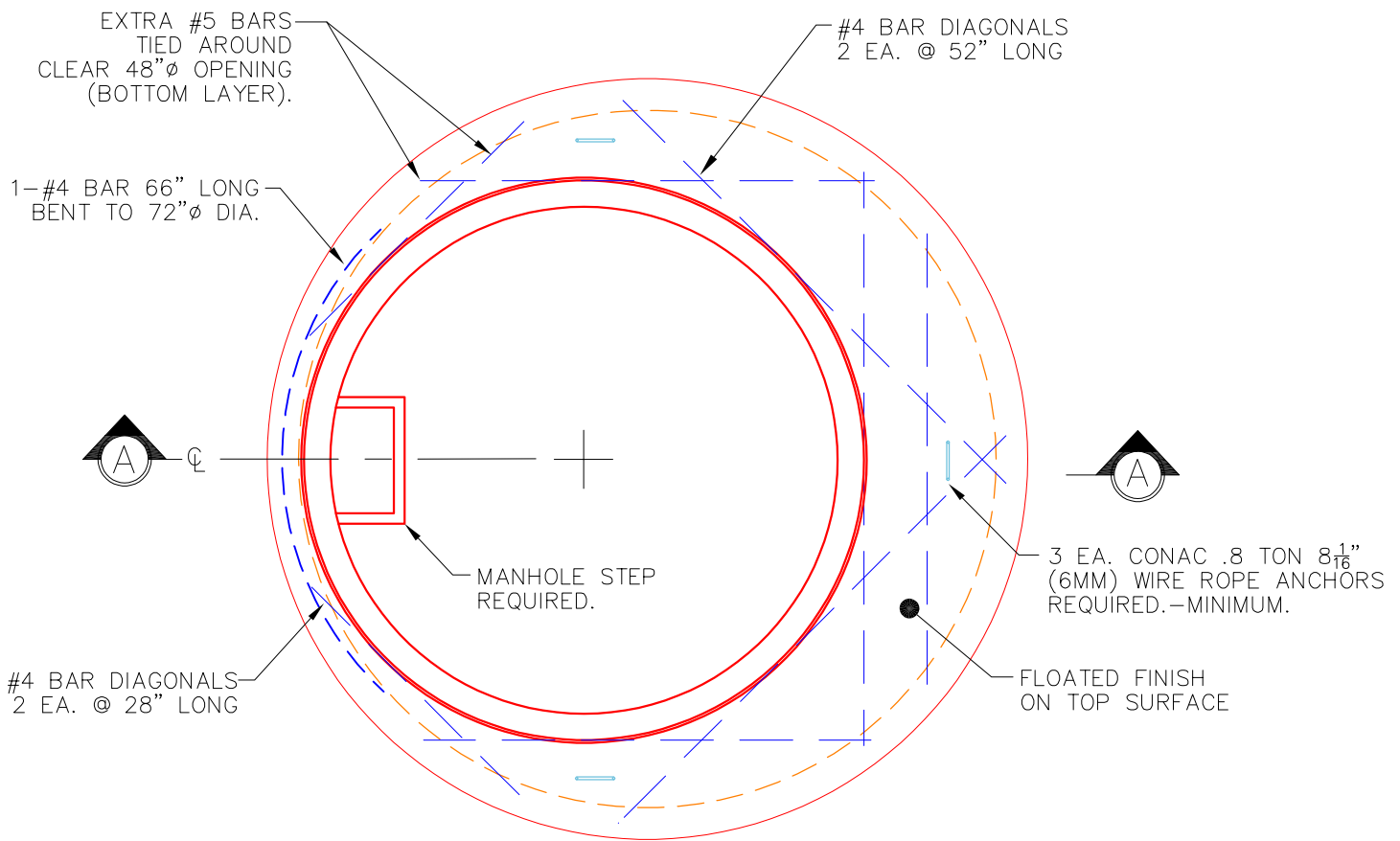
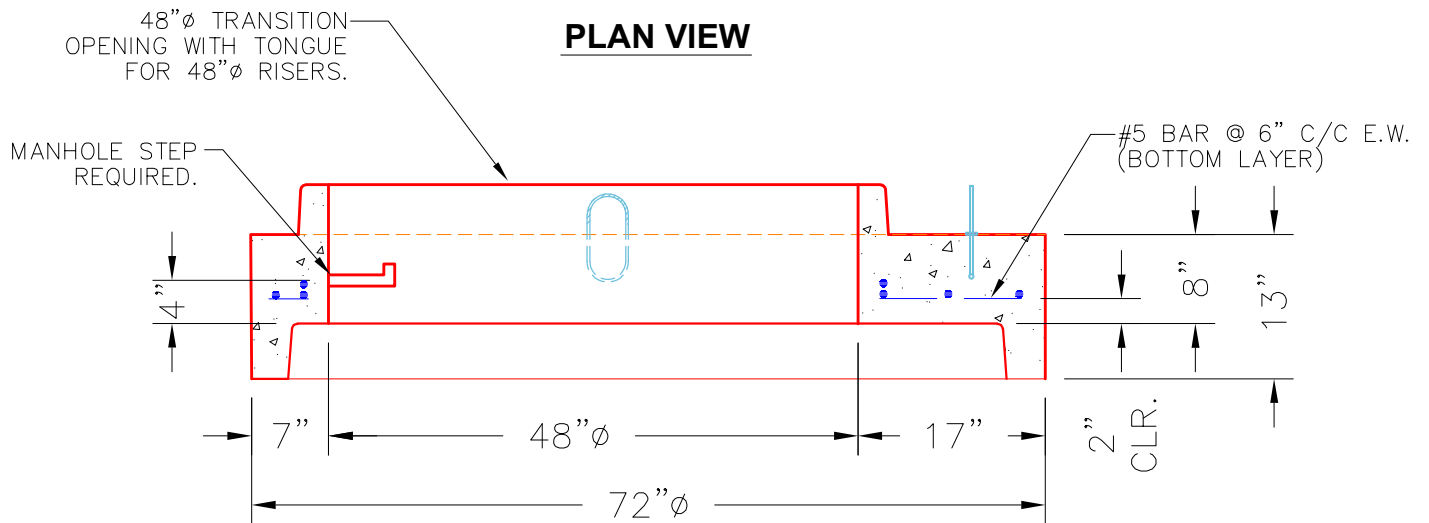


THIS DRAWING IS INTENDED TO BE PRINTED IN COLOR.




PLAN VIEW



SECTION A-A

NOTES:

1. MANUFACTURED TO ASTM C-478 (LATEST REVISION).
2. CONCRETE: 4,500 PSI AT 28 DAYS.
3. REINFORCING: #5 BAR @ 6" C/C E.W. (GRADE 60).

PRODUCTION WORK ORDER		PRODUCT I.D.: MH06048TS13	DESCRIPTION: 60"Ø X 13" TO 48"Ø ECC. TRANSITION SLAB	
	QUALITY CONTROL CHECKLIST		PRODUCT VIEW: RIGHT SIDE UP	
	<input type="checkbox"/> ALL DIMENSIONS CORRECT. <input type="checkbox"/> WIRE LIFT LOOPS INSTALLED. <input type="checkbox"/> HOLE LOCATION CORRECT. <input type="checkbox"/> REINFORCING CORRECT. <input type="checkbox"/> OUTSIDE TOP EDGE TROWELLED. <input type="checkbox"/> FLOATED FINISH ON TOP SURFACE. <input type="checkbox"/> JOINTS INSTALLED.		CUSTOMER: BOWEN ENGINEERING CORPORATION	
			PLANT: BEAVER DAM, KY.	
			PROJECT: CHESTNUT STREET UTILITY REHAB	
			STRUCTURE: 100	
		SALES ORDER NO.: 25-4272		
		P.C.: A. CHAMBERS		
		DRAWING: J. COPPAGE		
		DATE: 10/23/25		
		SCALE: NTS		
		PG. 1 of 1		