

Job Name: 25-4268 - The Professional Park Lots 5 & 6
Job Location: Bowling Green, KY
Contractor: Scott & Ritter, Inc.

PC: C. Goff
 TECH: K. Cardwell
 Plant: Beaver Dam, KY



Structure ID: **ST B4**

Spec: Storm
 Type: STM.MH (Recessed pipe)
 Size: 48"

Rim: 540.43'
 Invert: 536.71'
 Rim to Invert: 3.72'

Sump: 0"
 Floor (Top): 536.71'
 Floor Height: 6"

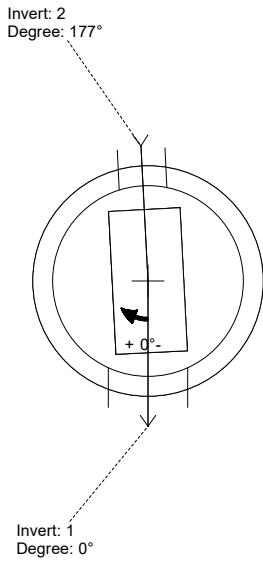
Floor (Bot): 536.21'
 Overall Height: 4.208'
 Slack: 0.14"

Structure Notes:

- STATION: 1+81.10 LN B
- 1. PER ASTM C-478 SPECS
- 2. CONCRETE: 4,500 PSI AT 28 DAYS
- 3. REINFORCEMENT:
 - FLAT LID: #4 BAR @ 10" C.C. E.W. (GRADE 60)
 - BASE: PER ASTM A615
- 4. NO STEPS
- 5. HOE 580-A FRAME & GRATES SUPPLIED BY ICAST

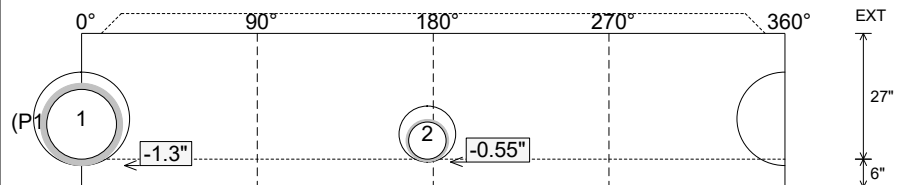
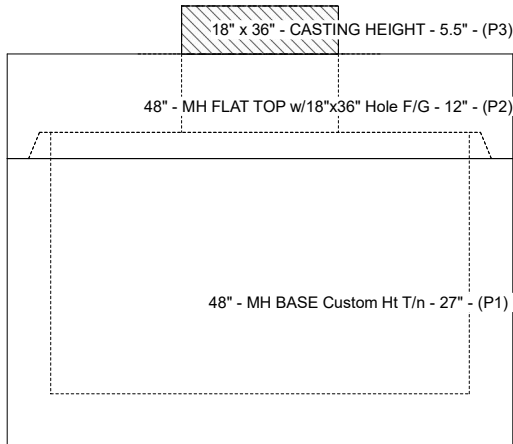
STRUCTURE SUMMARY:

- P3) 18" x 36" - CASTING HEIGHT - 5.5" 0 lb
- P2) 48" - MH FLAT TOP w/18"x36" Hole F/G - 12" 2008 lb
- P1) 48" - MH BASE Custom Ht T/n - 27" 3033 lb
- 1) CASTING - HOE 580-A F/G 574 lb
- 1) 48" - Conseal CS-102 1.00" 0 lb
- 1) 18" x 36" - Conseal CS-102 1.00" 0 lb
- 1) Hole - 20 0 lb
- 1) Hole - 12 0 lb
- Structure Total: 5615 lb**



Position	Elev	Angle	Pipe	Pipe OD	Hole	Connector	Up (")	Ref
Rim	540.43'							
Reducer								
Invert 1	536.71'	0°	15" HDPE	17.6"	20"	Hole 20	-1.3"	P1
Invert 2	536.71'	177°	8" HDPE	9.1"	12"	Hole 12	-0.55"	P1
Invert 3								
Invert 4								
Invert 5								
Invert 6								
Invert 7								
Invert 8								

Cast (Int. Dim.) - Interior Dimensions



Submittal Drawing
 10/26/2025 10:51:51 AM

SUBMITTAL
 APPROVED BY: