

Job Name: 25-4268 - The Professional Park Lots 5 & 6
Job Location: Bowling Green, KY
Contractor: Scott & Ritter, Inc.

PC: C. Goff
 TECH: K. Cardwell
 Plant: Beaver Dam, KY



Structure ID: **ST B3**

Spec: Storm
 Type: STM.MH (Recessed pipe)
 Size: 48"

Rim: 539.27'
 Invert: 536.1'
 Rim to Invert: 3.17'

Sump: 0"
 Floor (Top): 536.1'
 Floor Height: 6"

Floor (Bot): 535.6'
 Overall Height: 3.667'
 Slack: 0.04"

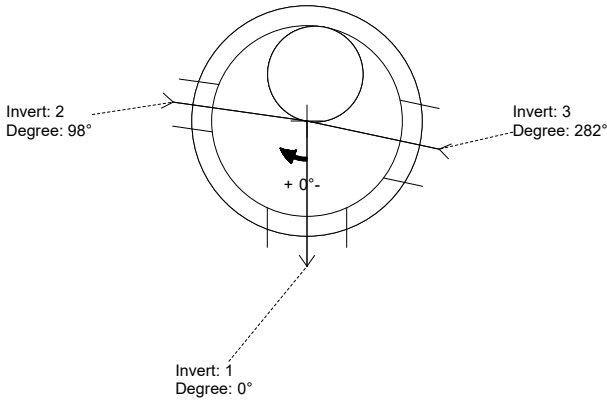
Structure Notes:

- STATION: 1+15.83 LN B / 0+00.00 LN B3-1
 1. PER ASTM C-478 SPECS
 2. CONCRETE: 4,500 PSI AT 28 DAYS
 3. REINFORCEMENT:
 - FLAT LID: #4 BAR @ 10" C.C. E.W. (GRADE 60)
 - BASE: PER ASTM A615
 4. NO STEPS
 5. HOE MC-375 FRAME & COVER "STORM" SUPPLIED BY ICAST

STRUCTURE SUMMARY:

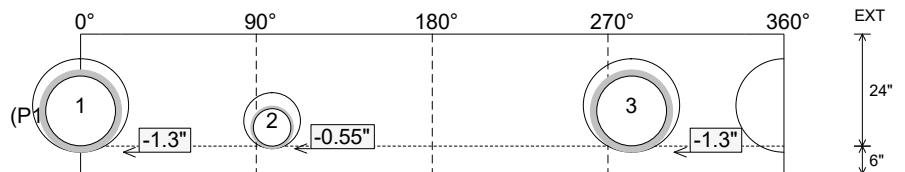
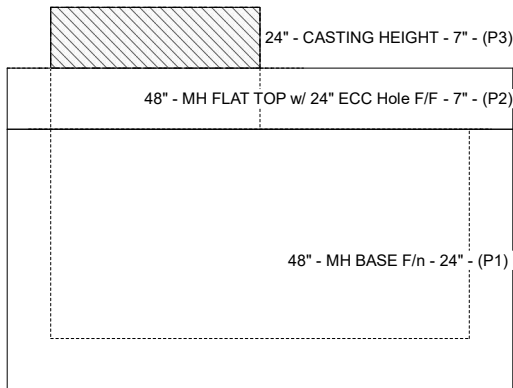
- P3) 24" - CASTING HEIGHT - 7" 0 lb
 P2) 48" - MH FLAT TOP w/ 24" ECC Hole F/F - 7" 1286 lb
 P1) 48" - MH BASE F/n - 24" 2688 lb
 1) CASTING - HOE MC-375 F/C Storm 271 lb
 1) 48" - Conseal CS-102 1.00" 0 lb
 2) Hole - 20 0 lb
 1) Hole - 12 0 lb

 Structure Total: 4246 lb



Position	Elev	Angle	Pipe	Pipe OD	Hole	Connector	Up (")	Ref
Rim	539.27'							
Reducer								
Invert 1	536.1'	0°	15" HDPE	17.6"	20"	Hole 20	-1.3"	P1
Invert 2	536.1'	98°	8" HDPE	9.1"	12"	Hole 12	-0.55"	P1
Invert 3	536.1'	282°	15" HDPE	17.6"	20"	Hole 20	-1.3"	P1
Invert 4								
Invert 5								
Invert 6								
Invert 7								
Invert 8								

Cast (Int. Dim.) - Interior Dimensions



Submittal Drawing
 10/26/2025 10:51:51 AM

SUBMITTAL
 APPROVED BY: