

Job Name: 25-4268 - The Professional Park Lots 5 & 6
 Job Location: Bowling Green, KY
 Contractor: Scott & Ritter, Inc.

Plant: Beaver Dam, KY
 10/28/2025 6:19:49 AM

Tech: K. Cardwell
 PC: C. Goff



Structure ID: ST B3

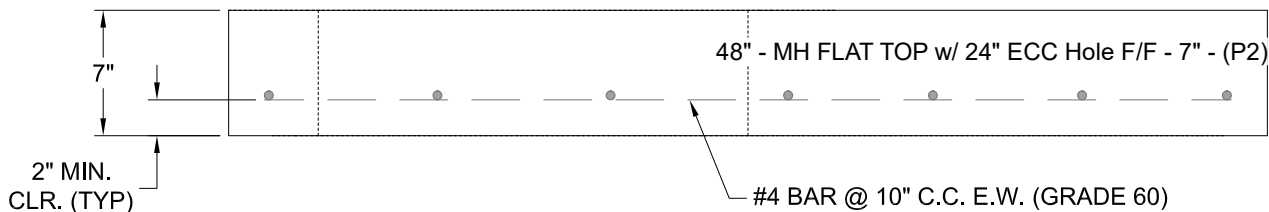
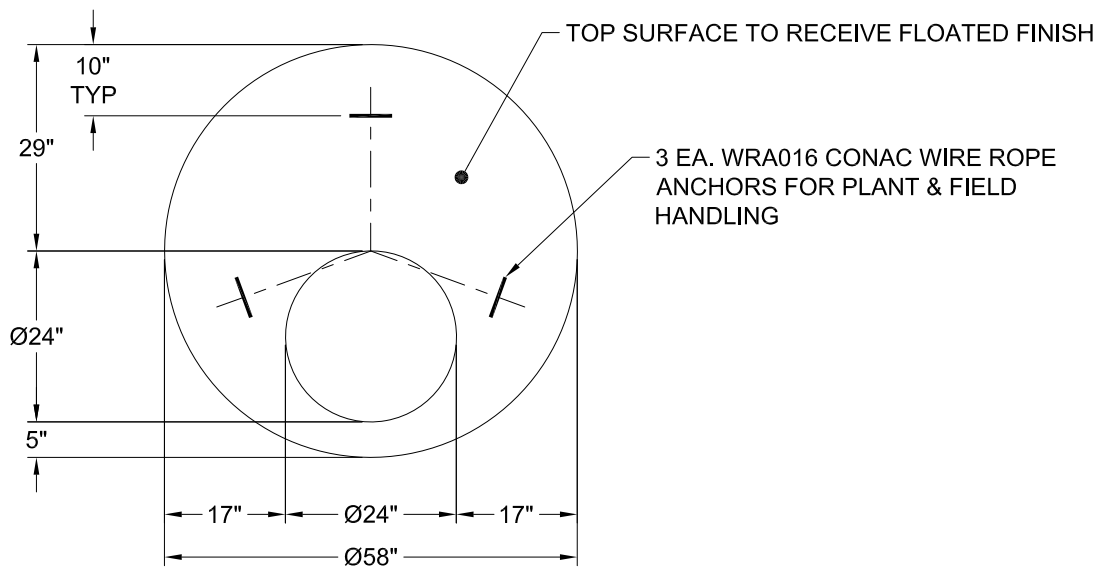
P2 MH048LD07ECC

MH FLAT TOP w/ 24" ECC Hole F/F

- P3) 24" - CASTING HEIGHT - 7"
- P2) 48" - MH FLAT TOP w/ 24" ECC Hole F/F - 7"
- P1) 48" - MH BASE F/n - 24"
- 1) CASTING - HOE MC-375 F/C Storm
- 1) 48" - Conseal CS-102 1.00"
- 2) Hole - 20
- 1) Hole - 12

	0 lb
	1286 lb
	2688 lb
	271 lb
	0 lb
	0 lb
	0 lb
Structure Total:	4246 lb

- Structure Notes:
 STATION: 1+15.83 LN B / 0+00.00 LN B3-1
1. PER ASTM C-478 SPECS
 2. CONCRETE: 4,500 PSI AT 28 DAYS
 3. REINFORCEMENT: #4 BAR @ 10" C.C. E.W. (GRADE 60) - 2" MIN. REBAR CLEARANCE (TYP)
 4. NO STEPS
 5. HOE MC-375 FRAME & COVER "STORM" SUPPLIED BY ICAST
 6. LIFTERS: 3 EA. WRA016 CONAC WIRE ROPE ANCHORS FOR PLANT & FIELD HANDLING



Coating (Int): Coating (Ext):	Seam Up: Flat Seam Dn: Flat	Wall Thickness: 5"	Height (Ext): 7"	Weight (Net): 1286 lb Volume (Net): 0.33cu.yd
----------------------------------	--------------------------------	--------------------	------------------	--------------------------------------------------