

Job Name: 25-4268 - The Professional Park Lots 5 & 6  
 Job Location: Bowling Green, KY  
 Contractor: Scott & Ritter, Inc.

Plant: Beaver Dam, KY  
 10/28/2025 6:17:20 AM

Tech: K. Cardwell  
 PC: C. Goff



**Structure ID: ST B3**

**P1 MH048BA24**

**MH BASE F/n**

- P3) 24" - CASTING HEIGHT - 7"
- P2) 48" - MH FLAT TOP w/ 24" ECC Hole F/F - 7"
- P1) 48" - MH BASE F/n - 24"
- 1) CASTING - HOE MC-375 F/C Storm
- 1) 48" - Conseal CS-102 1.00"
- 2) Hole - 20
- 1) Hole - 12

**Structure Notes:**  
 STATION: 1+15.83 LN B / 0+00.00 LN B3-1  
 1. PER ASTM C-478 SPECS  
 2. CONCRETE: 4,500 PSI AT 28 DAYS  
 3. REINFORCEMENT: PER ASTM A615  
 4. NO STEPS  
 5. HOE MC-375 FRAME & COVER "STORM" SUPPLIED BY ICAST

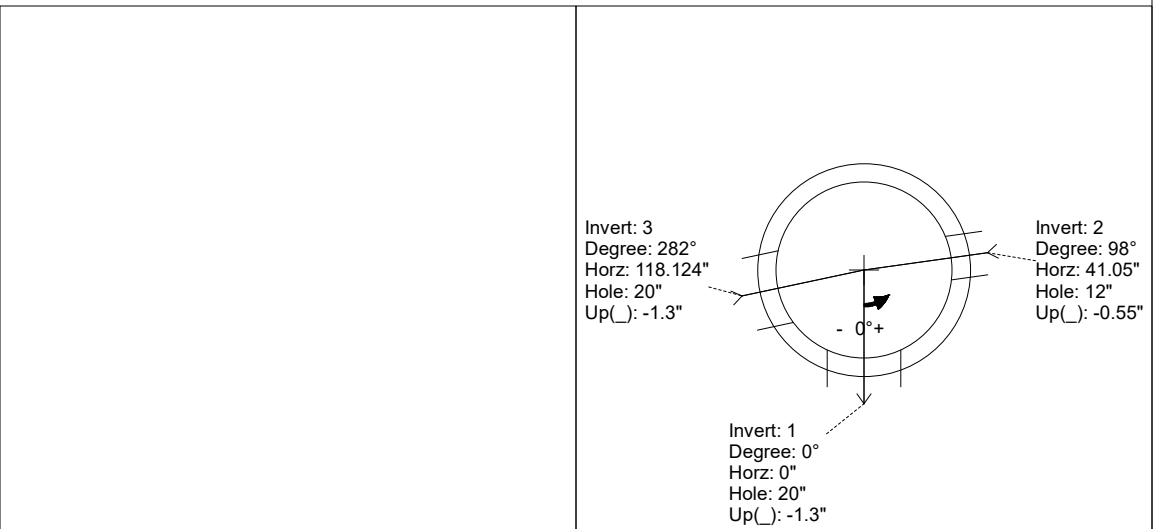
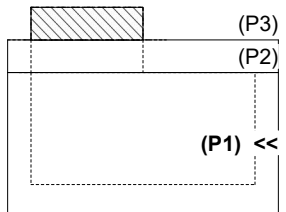
0 lb  
 1286 lb  
 2688 lb  
 271 lb  
 0 lb  
 0 lb  
 0 lb  
 -----  
 Structure Total: 4246 lb

Rim: 539.27' Rim to Invert: 3.17' Slack: 0.04" Sump: 0" Step Position:

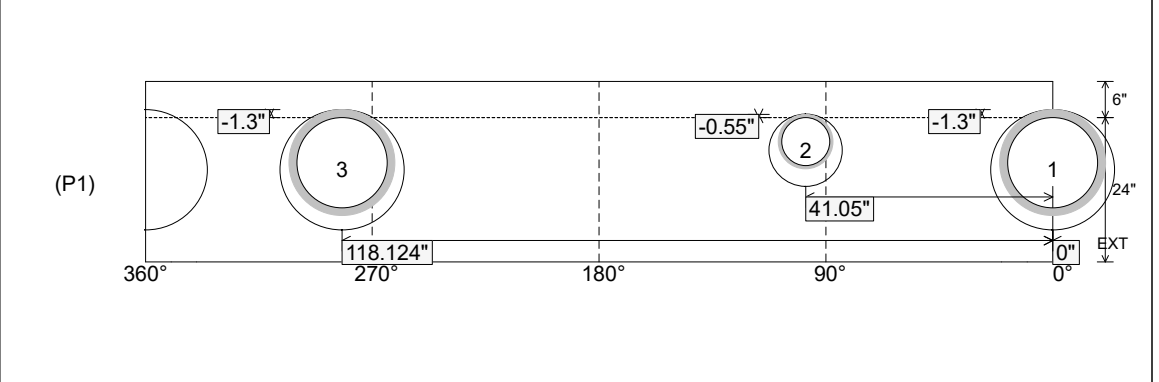
Position	Elev	Angle	Ext. (cw)	Pipe	Pipe OD	Connector	Hole	Horz Size	Up ( )	Offset
Invert 1	536.1'	0°	0"	15" HDPE	17.6"	Hole 20	20"	20.629"	-1.3"	0"
Invert 2	536.1'	98°	49.602"	8" HDPE	9.1"	Hole 12	12"	12.129"	-0.55"	0"
Invert 3	536.1'	282°	142.733"	15" HDPE	17.6"	Hole 20	20"	20.629"	-1.3"	0"
Invert 4										
Invert 5										
Invert 6										
Invert 7										
Invert 8										

RIGHT-SIDE UP VIEW (int. dimensions)

UPSIDE-DOWN VIEW (int. dimensions)



INSIDE WALL DIMENSIONS



Coating (Int): Coating (Ext):	Seam Up: Flat Seam Dn: n/a	Wall Thickness: 5" Floor Height: 6"	Height (Int): 24" Height (Ext): 30"	Weight (Net): 2688 lb Volume (Net): 0.69cu.yd
----------------------------------	-------------------------------	--	--	--