

Job Name: 25-4266 - 772445 WaWa 7602
Job Location: Elizabethtown, KY
Contractor: Contech Engineering Solutions

PC: T. Sekula
 TECH: J. Coppage
 Plant: Beaver Dam



Structure ID: **10-CS-4**
 Spec: Storm-Pipe Centered
 Type: STM.MH
 Size: 48"

Rim: 842.25'
 Invert: 837.82'
 Rim to Invert: 4.43'

Sump: 51"
 Floor (Top): 833.57'
 Floor Height: 6"

Floor (Bot): 833.07'
 Overall Height: 8.583'
 Slack: 7.16"

Structure Notes:
 (4" TALL CASTING PROVIDED BY OTHERS)

LIFTING ANCHORS TO BE INSTALLED ON THE OUTSIDE OF THE STRUCTURE

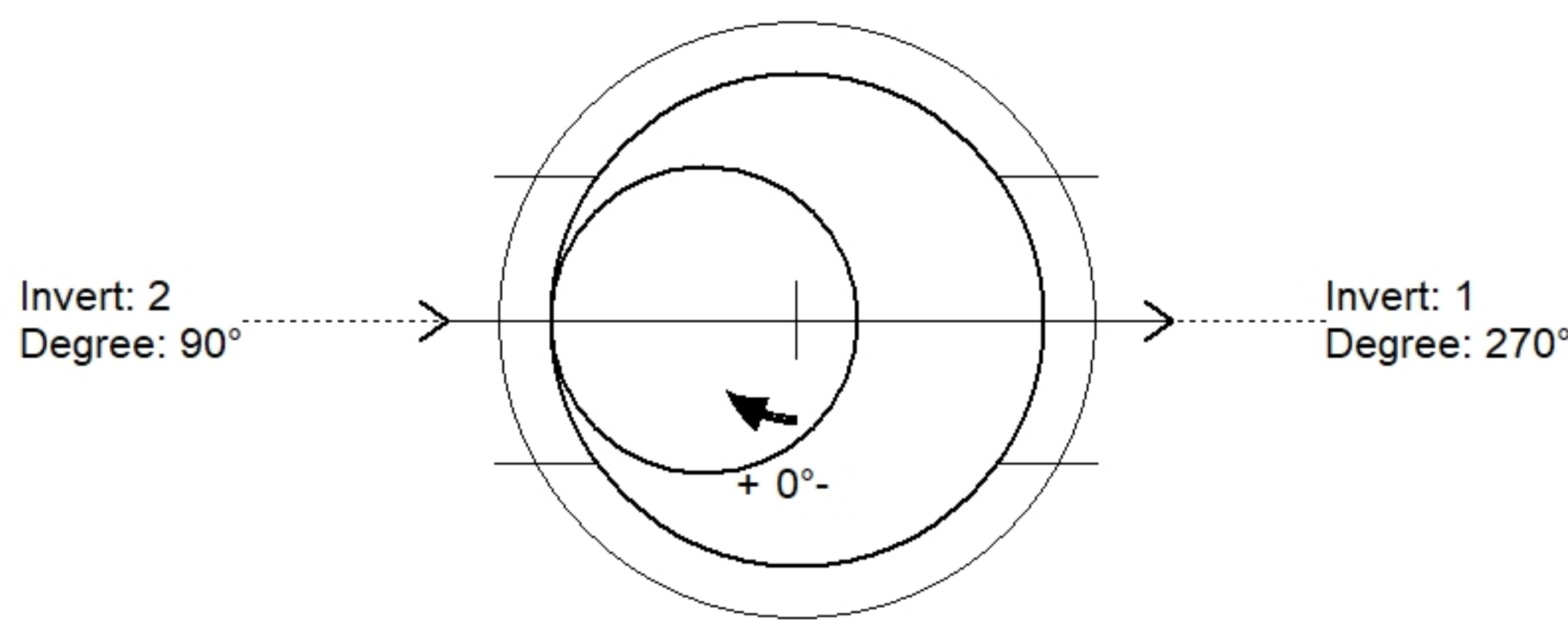
ICAST TO INSTALL THE INTERNALS

CONTECH'S LOGO AS WELL AS THE INLET AND OUTLET MUST BE STENCILED ONTO THE STRUCTURE

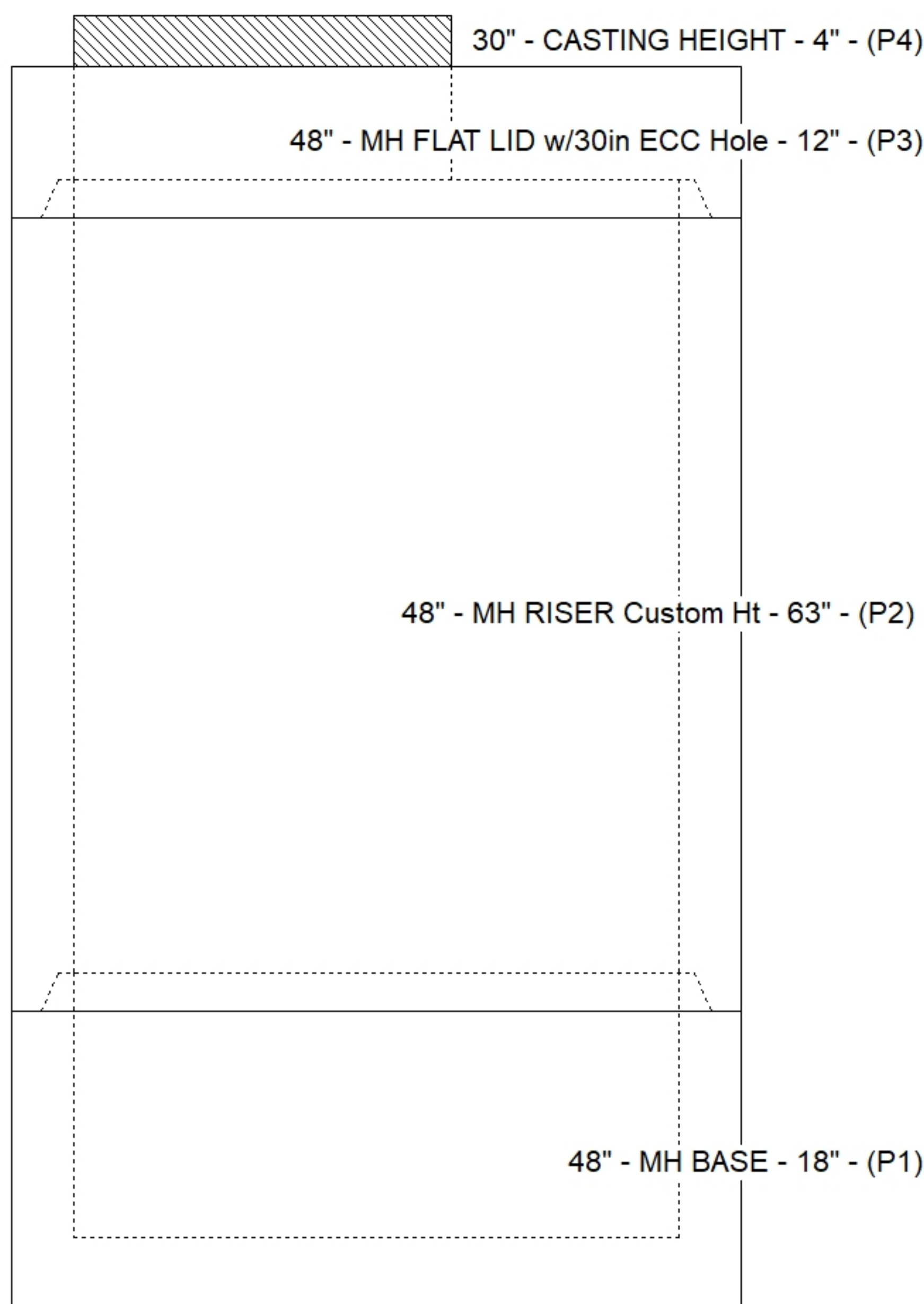
STRUCTURE SUMMARY:

P4) 30" - CASTING HEIGHT - 4"	0 lb
P3) 48" - MH FLAT LID w/30in ECC Hole - 12"	1413 lb
P2) 48" - MH RISER Custom Ht - 63"	3856 lb
P1) 48" - MH BASE - 18"	2588 lb
1) PSASSEMBLY	0 lb
1) CVSTENCILING	0 lb
2) 48" - Conseal CS-102 1.00"	0 lb
2) Hole - 28	0 lb

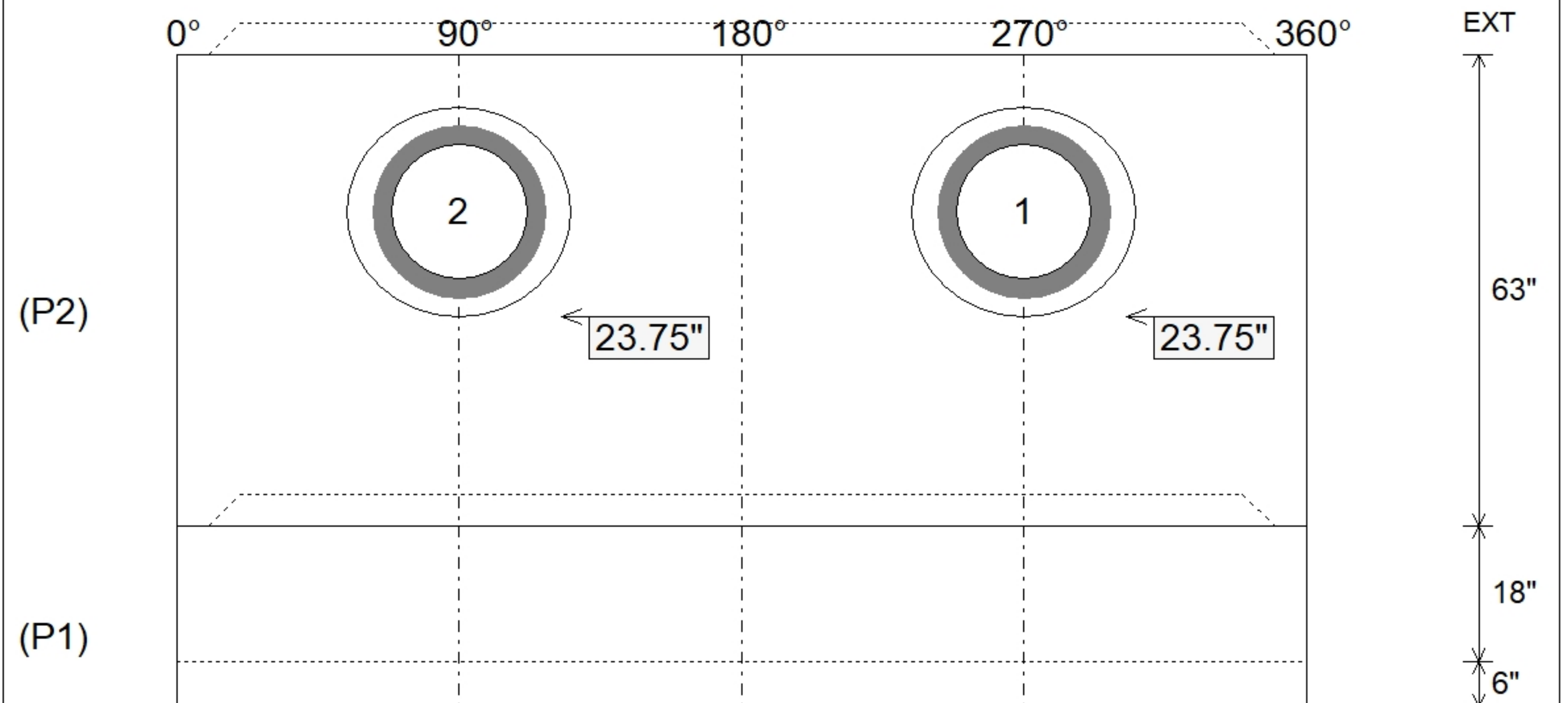
Structure Total:	7857 lb



Position	Elev	Angle	Pipe	Pipe OD	Hole	Connector	Up ()	Ref
Rim	842.25'							
Reducer								
Invert 1	837.82'	270°	18" RCP B WALL	23"	28"	Hole 28	23.75"	P2
Invert 2	837.82'	90°	18" RCP B WALL	23"	28"	Hole 28	23.75"	P2
Invert 3								
Invert 4								
Invert 5								
Invert 6								
Invert 7								
Invert 8								



Default - Interior Dimensions



Submittal Drawing
 10/24/2025 9:11:30 AM

SUBMITTAL
 APPROVED BY: