

Job Name: 25-4261 - Midsummer Street Extension
Job Location: Bowling Green, KY 42101
Contractor: Scott & Ritter, Inc.

PC: C. Goff
 TECH: J. Horsley - F
 Plant: 100



Structure ID: **CBI B**
 Spec: Storm
 Type: STM.MH
 Size: 48"

Rim: 523.54'
 Invert: 519.18'
 Rim to Invert: 4.36'

Sump: 1.95"
 Floor (Top): 519.018'
 Floor Height: 6"

Floor (Bot): 518.518'
 Overall Height: 4.958'
 Slack: 0.77"

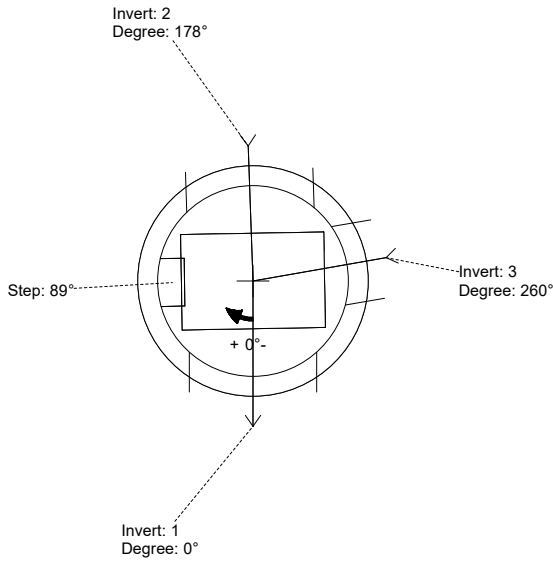
- Structure Notes:**
- PER ASTM C-478 SPECIFICATIONS
 - CONCRETE: 4,000 PSI AT 28 DAYS
 - REINFORCEMENT:
 - FLAT LID: #4 BAR @ 10" C.C. E.W. (GRADE 60)
 - BASE: PER ASTM A615
 - NO STORM INVERT
 - STEPS AT 89 DEGREES
 - JBS 3080 FRAME, GRATE, & CURB HOOD SUPPLIED BY OTHERS

STRUCTURE SUMMARY:

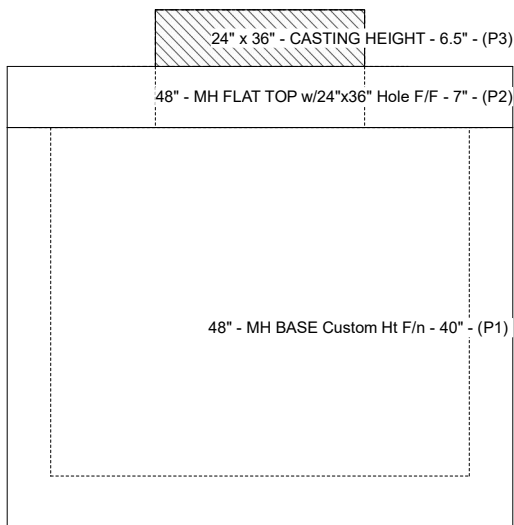
P3) 24" x 36" - CASTING HEIGHT - 6.5" 0 lb
 P2) 48" - MH FLAT TOP w/24"x36" Hole F/F - 7" 1044 lb
 P1) 48" - MH BASE Custom Ht F/n - 40" 3263 lb

1) 48" - Conseal CS-102 1.00" 0 lb
 1) 24" x 36" - Conseal CS-102 1.00" 0 lb
 2) Hole - 32 0 lb
 1) Hole - 20 0 lb
 3) MH Step ML-10-TDS-NCR - 10" 0 lb

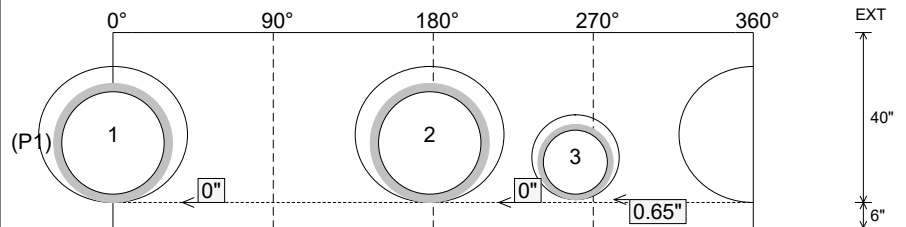
Structure Total: 4307 lb



Position	Elev	Angle	Pipe	Pipe OD	Hole	Connector	Up (')	Ref
Rim	523.54'							
Reducer								
Invert 1	519.18'	0°	24" HP STORM	28"	32"	Hole 32	0"	P1
Invert 2	519.18'	178°	24" HP STORM	28"	32"	Hole 32	0"	P1
Invert 3	519.18'	260°	15" HP STORM	17.7"	20"	Hole 20	0.65"	P1
Invert 4								
Invert 5								
Invert 6								
Invert 7								
Invert 8								



Cast (Int. Dim.) - Interior Dimensions



Submittal Drawing
 1/29/2026 3:32:38 PM

SUBMITTAL
 APPROVED BY: