

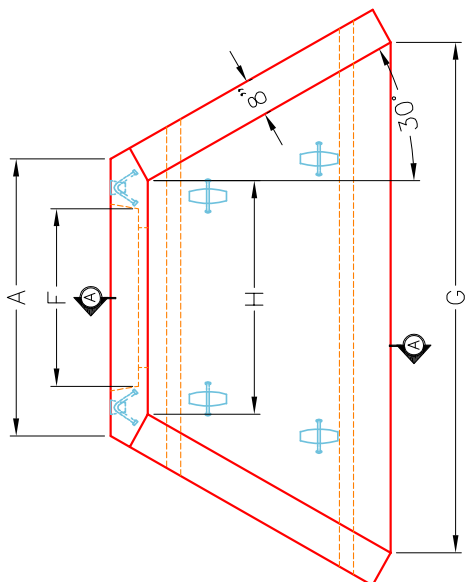


Structure ID: ICAST LI2

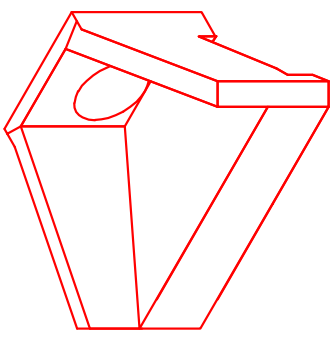
P1 HWPC30

30" - PIPE CULVERT HEADWALL F/F

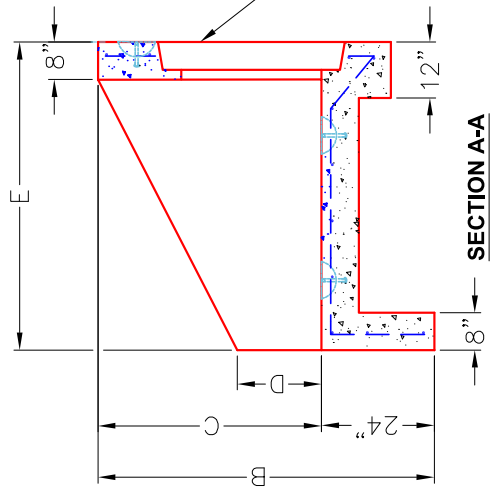
PIPE Ø	A	B	C	D	E	F	G	H	WEIGHT
30"	4'-6"	6'-0"	4'-0"	1'-6"	5'-0"	3'-6"	8'-8"	3'-8"	8,820 lbs.
36"	4'-6"	6'-0"	4'-0"	1'-6"	5'-0"	4'-0"	8'-8"	3'-8"	8,820 lbs.
42"	6'-0"	6'-7"	5'-5"	2'-0"	6'-2"	4'-6"	11'-0"	4'-10"	13,233 lbs.
48"	6'-0"	6'-7"	5'-5"	2'-0"	6'-2"	5'-2"	11'-0"	4'-10"	13,233 lbs.
54"	7'-4"	7'-8"	6'-6"	2'-6"	7'-4"	5'-8"	13'-8"	6'-0"	18,422 lbs.
60"	7'-4"	7'-8"	6'-6"	2'-6"	7'-4"	6'-4"	13'-8"	6'-0"	18,422 lbs.



PLAN VIEW

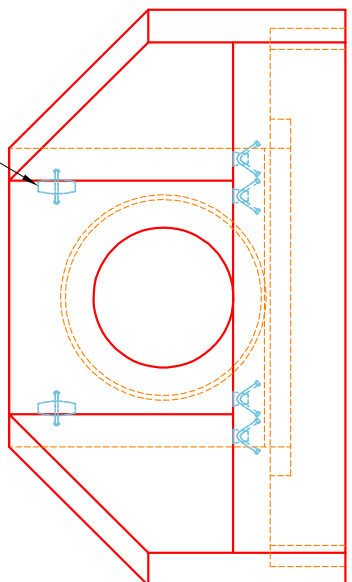


ISOMETRIC VIEW



SECTION A-A

"A-ANCHOR" LIFTING SYSTEM FOR PLANT & FIELD HANDLING.



FRONT ELEVATION

NOTES:

1. CONCRETE: KYTC APPROVED.
2. REINFORCING: #5 BAR @ 12" C/C E.W. - GRADE 60, (WITH 2" CONCRETE COVER MINIMUM)
3. REINFORCING BARS TO BE TACK WELDED OR TIED.
4. PIPE AND LIFTING ANCHOR POCKETS TO BE GROUTED WITH KYTC APPROVED NON-SHRINK GROUT.
5. DRAWING TO BE USED IN CONJUNCTION WITH KYTC STD. DRAWING RDH-110-02, RDH-210-03 AND THE STANDARD SPECIFICATIONS FOR ROAD AND BRIDGE CONSTRUCTION.
6. 3/8" CHAMFER ON ALL EXPOSED EDGES.
7. PREFORMED STEPPED HOLE SIZED AS PER O.D. OF PIPE + 3" - 4" .



INFRASTRUCTURE PRECAST, INC.
 981 WEST 7TH ST., BEAVER DAM, KY. 42320
 PHONE: (270) 363-2238, FAX: (270) 298-7424

KYTC 30"-60" PIPE CULVERT HEADWALL	
DRAWING NO.: KYTC PC-HW	DATE: 12-14-20
REVIEWED BY: J.H. ROSS, PE	DRAWN BY: N. RICHARDS
WEB: WWW.ICASTINC.COM	SCALE: NTS