

Job Name: 25-4257 - KYTC Pulaski Co Call 108 (254106)	Plant: 100	Tech: Jared - A	
Job Location: Somerset, KY Contractor: Weddle Enterprises, Inc	3/30/2026 8:52:09 AM	PC: Celina Goff	

**Structure ID: 780**

**P1 BX3648-08BAVF**

**BOX BASE 8inW, 8inF, Variable Ht F/n**

- P2) 36" x 48" - P.I.P. - BY OTHERS - 8"
- P1) 36" x 48" - BOX BASE 8inW, 8inF, Variable Ht F/n - 27"
- 1) 36" x 48" - Conseal CS-102 1.00"
- 1) Hole - 24"

0 lb  
5555 lb  
0 lb  
0 lb  
-----  
Structure Total: 5555 lb

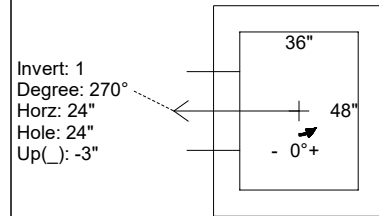
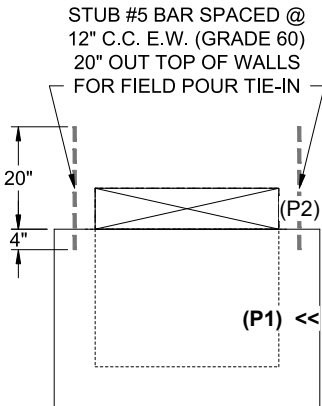
- Structure Notes:**
- \*\* KYTC STATE PROJECT \*\*
  - 1. PER KYTC DBI TYPE 5 / ASTM C-913 SPECS
  - 2. CONCRETE: 4,000 PSI AT 28 DAYS
  - 3. REINFORCEMENT: #5 BAR @ 12" C.C. E.W. (GRADE 60) - 2" MIN. REBAR CLEARANCE (TYP)
  - 4. NO STORM INVERT
  - 5. NO STEPS
  - 6. HOE KY-460 TYPE 5D FRAME & GRATES SUPPLIED BY OTHERS
  - 7. STUB #5 BAR SPACED @ 12" C.C. E.W. (GRADE 60) 20" OUT TOP OF WALLS FOR FIELD POUR TIE-IN

Rim: 975.83' Rim to Invert: 2.95' Slack: 0.4" Sump: 0" Step Position:

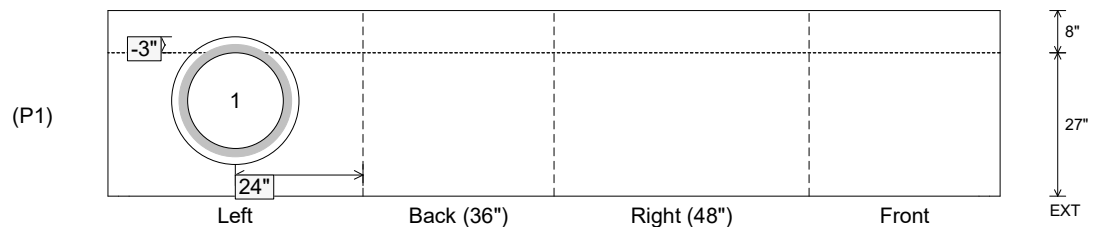
Position	Elev	Angle	Ext. (cw)	Pipe	Pipe OD	Connector	Hole	Horz Size	Up ( )	Offset
Invert 1	972.88'	270°	32"	18" HDPE	21.2"	Hole 24	24"	24"	-3"	0"
Invert 2										
Invert 3										
Invert 4										
Invert 5										
Invert 6										
Invert 7										
Invert 8										

RIGHT-SIDE UP VIEW (int. dimensions)

UPSIDE-DOWN VIEW (int. dimensions)



INSIDE WALL DIMENSIONS



Coating (Int): Coating (Ext):	Seam Up: Flat Seam Dn: n/a	Wall Thickness: 8" Floor Height: 8"	Height (Int): 27" Height (Ext): 35"	Weight (Net): 5555 lb Volume (Net): 1.42cu.yd
----------------------------------	-------------------------------	--	--	--