

Job Name: 25-4257 - KYTC Pulaski Co Call 108 (254106)	Plant: 100	Tech: Jared - A	
Job Location: Somerset, KY Contractor: Weddle Enterprises, Inc	3/30/2026 8:52:08 AM	PC: Celina Goff	

Structure ID: 443

P1 BX3648-08BAVF

BOX BASE 8inW, 8inF, Variable Ht F/n

- P2) 36" x 48" - P.I.P. - BY OTHERS - 8"
- P1) 36" x 48" - BOX BASE 8inW, 8inF, Variable Ht F/n - 21"
- 1) 36" x 48" - Conseal CS-102 1.00"
- 2) DOGHOUSE INVRTD - 24"x22"

0 lb
4404 lb
0 lb
0 lb

Structure Total: 4404 lb

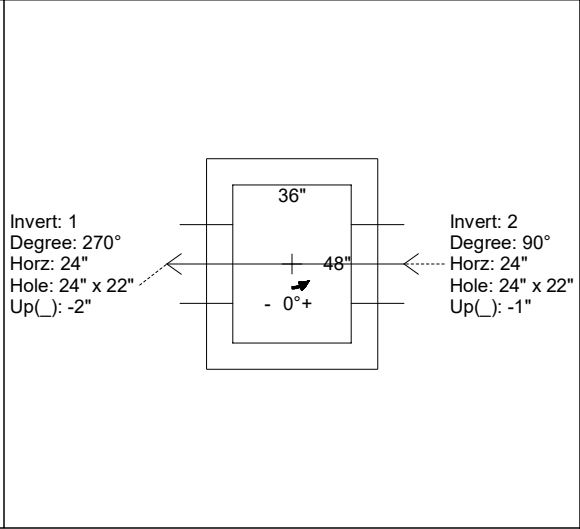
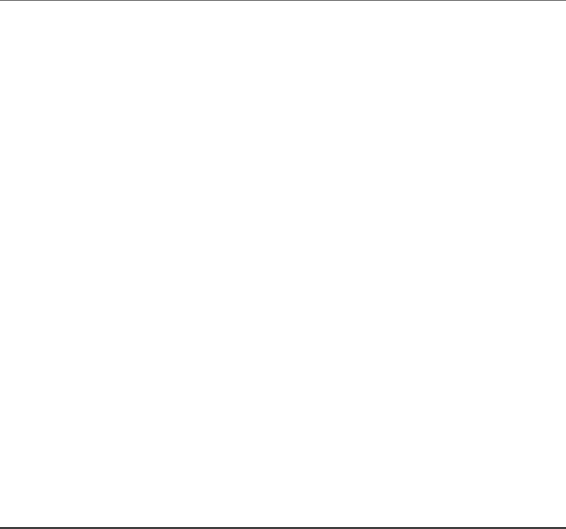
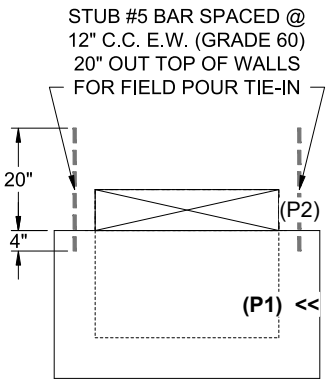
- Structure Notes:
- ** KYTC STATE PROJECT **
 - 1. PER KYTC DBI TYPE 5 / ASTM C-913 SPECS
 - 2. CONCRETE: 4,000 PSI AT 28 DAYS
 - 3. REINFORCEMENT: #5 BAR @ 12" C.C. E.W. (GRADE 60) - 2" MIN. REBAR CLEARANCE (TYP)
 - 4. NO STORM INVERT
 - 5. NO STEPS
 - 6. HOE KY-460 TYPE 5D FRAME & GRATES SUPPLIED BY OTHERS
 - 7. STUB #5 BAR SPACED @ 12" C.C. E.W. (GRADE 60) 20" OUT TOP OF WALLS FOR FIELD POUR TIE-IN

Rim: 980.18' Rim to Invert: 2.48' Slack: 0.76" Sump: 0" Step Position:

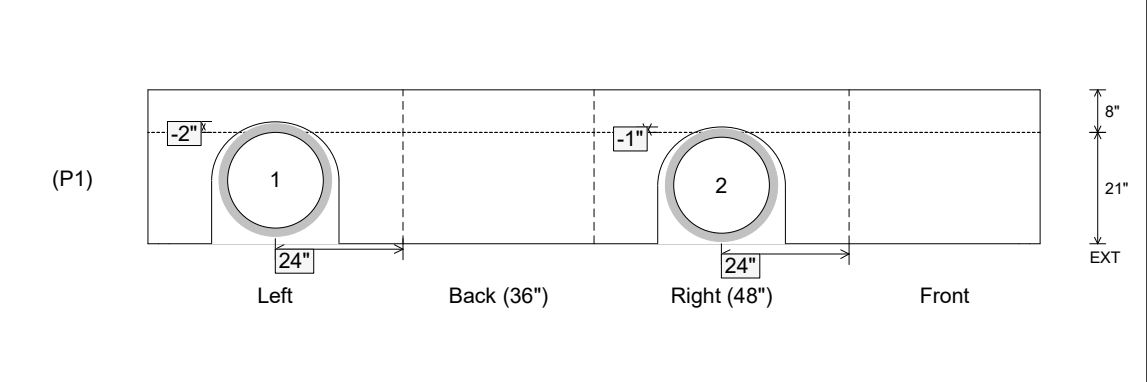
Position	Elev	Angle	Ext. (cw)	Pipe	Pipe OD	Connector	Hole	Horz Size	Up ()	Offset
Invert 1	977.7'	270°	32"	18" HDPE	21.2"	DOGHOUSE INVRTD 24"x22"	24" x 22"	24"	-2"	0"
Invert 2	977.78'	90°	32"	18" HDPE	21.2"	DOGHOUSE INVRTD 24"x22"	24" x 22"	24"	-1"	0"
Invert 3										
Invert 4										
Invert 5										
Invert 6										
Invert 7										
Invert 8										

RIGHT-SIDE UP VIEW (int. dimensions)

UPSIDE-DOWN VIEW (int. dimenions)



INSIDE WALL DIMENSIONS



Coating (Int): Coating (Ext):	Seam Up: Flat Seam Dn: n/a	Wall Thickness: 8" Floor Height: 8"	Height (Int): 21" Height (Ext): 29"	Weight (Net): 4404 lb Volume (Net): 1.12cu.yd
----------------------------------	-------------------------------	--	--	--