

**Job Name: 25-4257 - KYTC Pulaski Co Call 108 (254106)**  
**Job Location: Somerset, KY**  
**Contractor: Weddle Enterprises, Inc**

PC: Celina Goff  
 TECH: Jared - A  
 Plant: 100



Structure ID: 1770  
 Spec: KYTC  
 Type: CBI TYPE A (10')  
 Size: 24" x 36"

Rim: 964.87'  
 Invert: 960.1'  
 Rim to Invert: 4.77'

Sump: 0"  
 Floor (Top): 960.1'  
 Floor Height: 8"

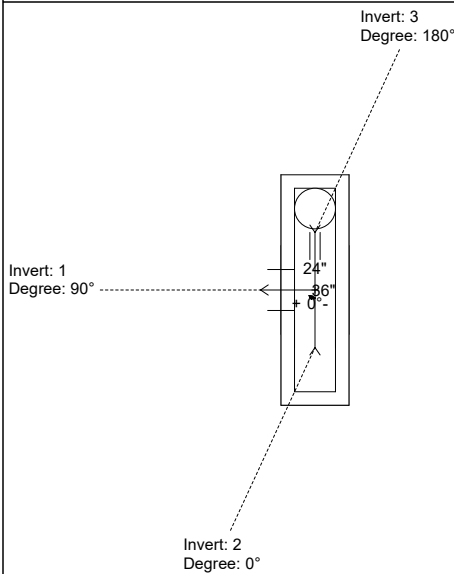
Floor (Bot): 959.433'  
 Overall Height: 5.417'  
 Slack: 0.24"

**Structure Notes:**

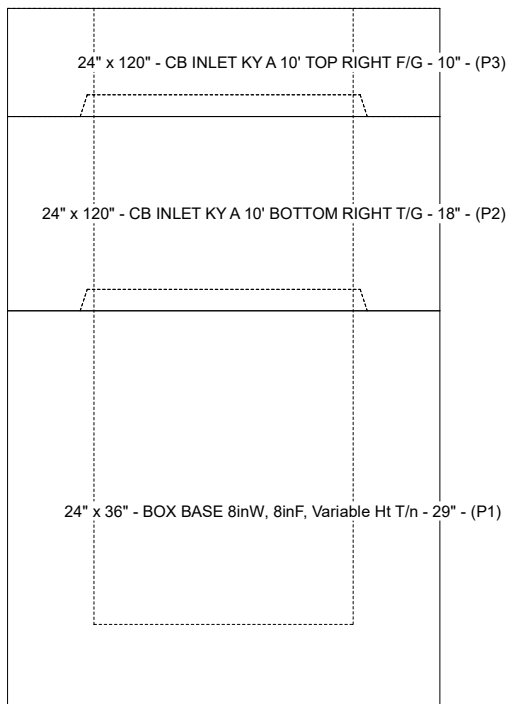
- \*\* KYTC STATE PROJECT \*\*
- PER KYTC CBI TYPE A / ASTM C-913 SPECS
  - CONCRETE: 4,000 PSI AT 28 DAYS
  - REINFORCEMENT:
    - TOP PHASE TOP: #5 BAR @ 6" C.C. E.W. (GRADE 60)
    - TOP PHASE BOTTOM: #5 BAR @ 12" C.C. E.W. (GRADE 60)
    - PIPE CHAMBER: #5 BAR @ 12" C.C. E.W. (GRADE 60)
  - NO STORM INVERT
  - NO STEPS
  - HOE KY-206 FRAME & COVER "STORM" SUPPLIED BY ICAST - FRAME TO BE CAST INTO TOP PHASE TOP FLANGE SIDE UP

**STRUCTURE SUMMARY:**

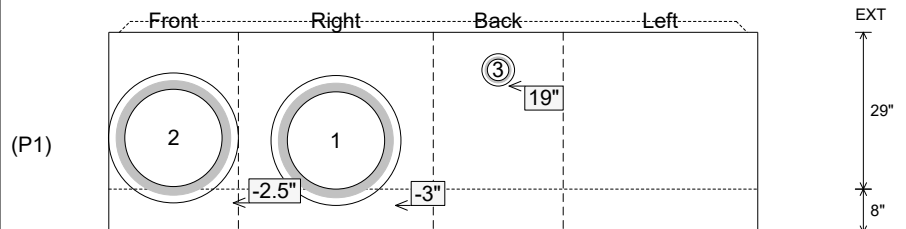
- P3) 24" x 120" - CB INLET KY A 10' TOP RIGHT F/G - 10" 3398 lb  
 P2) 24" x 120" - CB INLET KY A 10' BOTTOM RIGHT T/G - 18" 5270 lb  
 P1) 24" x 36" - BOX BASE 8inW, 8inF, Variable Ht T/n - 29" 3805 lb
- 1) CASTING - HOE KY-206 F/C (KY TY1) 206 lb  
 1) This Structure Includes a Cast-in Item - KY-206 Frame Flange Side Up 0 lb  
 1) 24" x 36" - Conseal CS-102 1.00" 0 lb  
 2) Hole - 24 0 lb  
 1) Hole - 6 0 lb
- Structure Total: 12679 lb



Position	Elev	Angle	Pipe	Pipe OD	Hole	Connector	Up (L)	Ref
Rim	964.87'							
Reducer								
Invert 1	960.1'	90°	18" HDPE	21.2"	24"	Hole 24	-3"	P1
Invert 2	960.14'	0°	18" HDPE	21.2"	24"	Hole 24	-2.5"	P1
Invert 3	961.77'	180°	4" HDPE (perf pipe)	4.8"	6"	Hole 6	19"	P1
Invert 4								
Invert 5								
Invert 6								
Invert 7								
Invert 8								



**Cast (Int. Dim.) - Interior Dimensions**



Submittal Drawing  
 3/30/2026 8:20:19 AM

SUBMITTAL  
 APPROVED BY: