

Job Name: 25-4257 - KYTC Pulaski Co Call 108 (254106)
Job Location: Somerset, KY
Contractor: Weddle Enterprises, Inc

PC: Celina Goff
 TECH: Jared - A
 Plant: 100



Structure ID: 1601
 Spec: KYTC
 Type: CBI TYPE A (10')
 Size: 24" x 36"

Rim: 967.14'
 Invert: 962.01'
 Rim to Invert: 5.13'

Sump: 0"
 Floor (Top): 962.01'
 Floor Height: 8"

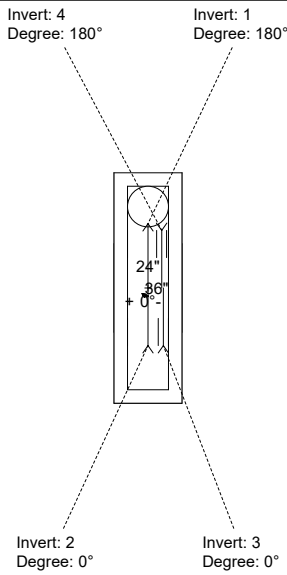
Floor (Bot): 961.343'
 Overall Height: 5.75'
 Slack: 0.56"

Structure Notes:

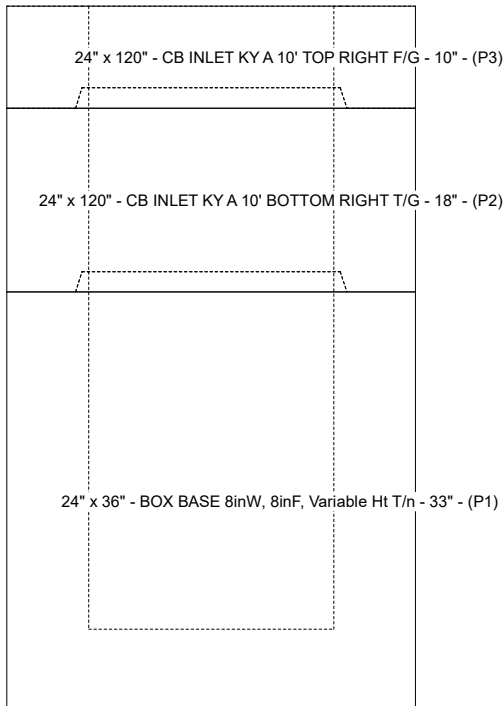
- ** KYTC STATE PROJECT **
- PER KYTC CBI TYPE A / ASTM C-913 SPECS
 - CONCRETE: 4,000 PSI AT 28 DAYS
 - REINFORCEMENT:
 - TOP PHASE TOP: #5 BAR @ 6" C.C. E.W. (GRADE 60)
 - TOP PHASE BOTTOM: #5 BAR @ 12" C.C. E.W. (GRADE 60)
 - PIPE CHAMBER: #5 BAR @ 12" C.C. E.W. (GRADE 60)
 - NO STORM INVERT
 - NO STEPS
 - HOE KY-206 FRAME & COVER "STORM" SUPPLIED BY ICAST - FRAME TO BE CAST INTO TOP PHASE TOP FLANGE SIDE UP
 - INVERT 3 OFFSET 9" FROM CENTER OF WALL
 INVERT 4 OFFSET 8" FROM CENTER OF WALL

STRUCTURE SUMMARY:

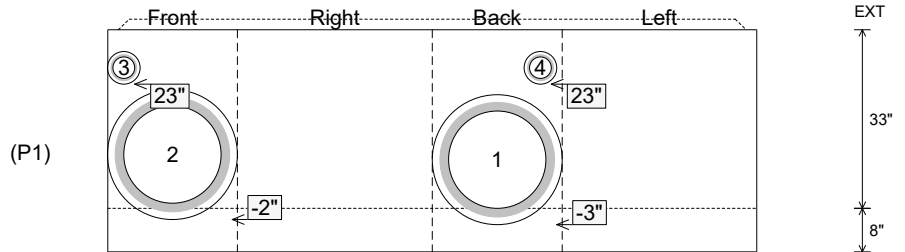
P3) 24" x 120" - CB INLET KY A 10' TOP RIGHT F/G - 10"	3398 lb
P2) 24" x 120" - CB INLET KY A 10' BOTTOM RIGHT T/G - 18"	5270 lb
P1) 24" x 36" - BOX BASE 8inW, 8inF, Variable Ht T/n - 33"	4303 lb
1) CASTING - HOE KY-206 F/C (KY TY1)	206 lb
1) This Structure Includes a Cast-in Item - KY-206 Frame Flange Side Up	0 lb
1) 24" x 36" - Conseal CS-102 1.00"	0 lb
2) Hole - 24	0 lb
2) Hole - 6	0 lb
Structure Total:	13177 lb



Position	Elev	Angle	Pipe	Pipe OD	Hole	Connector	Up (L)	Ref
Rim	967.14'							
Reducer								
Invert 1	962.01'	180°	18" HDPE	21.2"	24"	Hole 24	-3"	P1
Invert 2	962.09'	0°	18" HDPE	21.2"	24"	Hole 24	-2"	P1
Invert 3	964.01'	0°	4" HDPE (perf pipe)	4.8"	6"	Hole 6	23"	P1
Invert 4	964.01'	180°	4" HDPE (perf pipe)	4.8"	6"	Hole 6	23"	P1
Invert 5								
Invert 6								
Invert 7								
Invert 8								



Cast (Int. Dim.) - Interior Dimensions



Submittal Drawing
 3/30/2026 8:20:20 AM

SUBMITTAL
 APPROVED BY: