

Job Name: 25-4257 - KYTC Pulaski Co Call 108 (254106)	Plant: 100	Tech: Jared - A	
Job Location: Somerset, KY Contractor: Weddle Enterprises, Inc	3/30/2026 8:52:11 AM	PC: Celina Goff	

Structure ID: 1412

P1 BX3648-08BAVF

BOX BASE 8inW, 8inF, Variable Ht F/n

- P2) 36" x 48" - P.I.P. - BY OTHERS - 8"
- P1) 36" x 48" - BOX BASE 8inW, 8inF, Variable Ht F/n - 33"
- 1) 36" x 48" - Conseal CS-102 1.00"
- 1) Hole - 24"

0 lb
6361 lb
0 lb
0 lb

Structure Total: 6361 lb

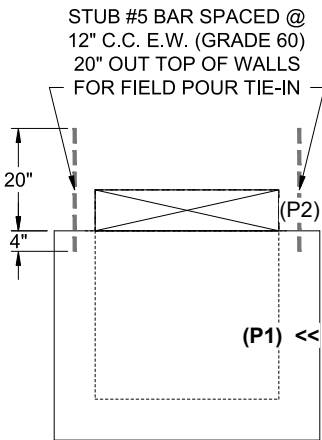
- Structure Notes:**
- ** KYTC STATE PROJECT **
 - 1. PER KYTC DBI TYPE 5 / ASTM C-913 SPECS
 - 2. CONCRETE: 4,000 PSI AT 28 DAYS
 - 3. REINFORCEMENT: #5 BAR @ 12" C.C. E.W. (GRADE 60) - 2" MIN. REBAR CLEARANCE (TYP)
 - 4. NO STORM INVERT
 - 5. NO STEPS
 - 6. HOE KY-460 TYPE 5D FRAME & GRATES SUPPLIED BY OTHERS
 - 7. STUB #5 BAR SPACED @ 12" C.C. E.W. (GRADE 60) 20" OUT TOP OF WALLS FOR FIELD POUR TIE-IN

Rim: 968.37' Rim to Invert: 3.46' Slack: 0.52" Sump: 0" Step Position:

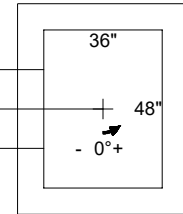
Position	Elev	Angle	Ext. (cw)	Pipe	Pipe OD	Connector	Hole	Horz Size	Up ()	Offset
Invert 1	964.91'	270°	32"	18" HDPE	21.2"	Hole 24	24"	24"	-3"	0"
Invert 2										
Invert 3										
Invert 4										
Invert 5										
Invert 6										
Invert 7										
Invert 8										

RIGHT-SIDE UP VIEW (int. dimensions)

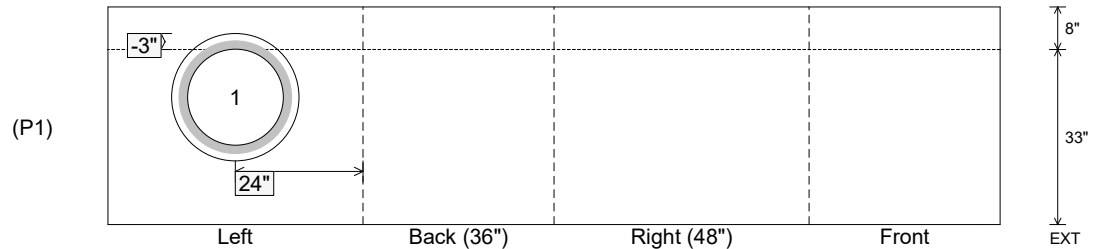
UPSIDE-DOWN VIEW (int. dimensions)



Invert: 1
Degree: 270°
Horz: 24"
Hole: 24"
Up(): -3"



INSIDE WALL DIMENSIONS



Coating (Int):
Coating (Ext):

Seam Up: Flat
Seam Dn: n/a

Wall Thickness: 8"
Floor Height: 8"

Height (Int): 33"
Height (Ext): 41"

Weight (Net): 6361 lb
Volume (Net): 1.62cu.yd