

Job Name: 25-4257 - KYTC Pulaski Co Call 108 (254106)
Job Location: Somerset, KY
Contractor: Weddle Enterprises, Inc

PC: Celina Goff
 TECH: Jared - A
 Plant: 100



Structure ID: 1235
 Spec: KYTC
 Type: CBI TYPE A (10')
 Size: 24" x 36"

Rim: 971.96'
 Invert: 966.46'
 Rim to Invert: 5.5'

Sump: 0"
 Floor (Top): 966.46'
 Floor Height: 8"

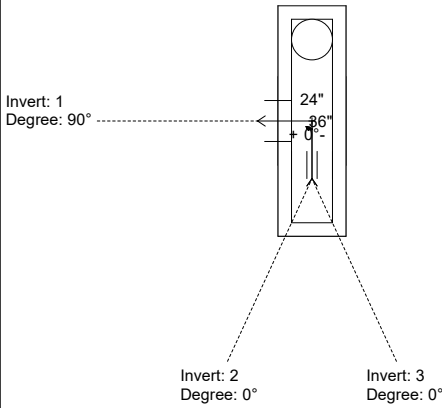
Floor (Bot): 965.793'
 Overall Height: 6.167'
 Slack: 0"

Structure Notes:

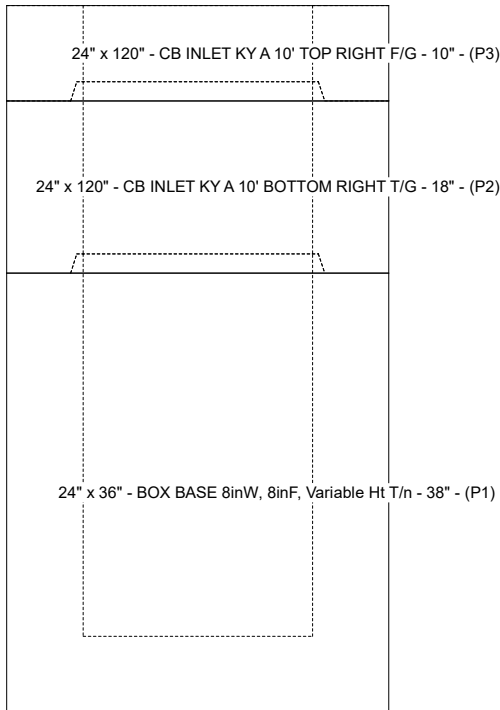
- ** KYTC STATE PROJECT **
- 1. PER KYTC CBI TYPE A / ASTM C-913 SPECS
- 2. CONCRETE: 4,000 PSI AT 28 DAYS
- 3. REINFORCEMENT:
 - TOP PHASE TOP: #5 BAR @ 6" C.C. E.W. (GRADE 60)
 - TOP PHASE BOTTOM: #5 BAR @ 12" C.C. E.W. (GRADE 60)
 - PIPE CHAMBER: #5 BAR @ 12" C.C. E.W. (GRADE 60)
- 4. NO STORM INVERT
- 5. NO STEPS
- 6. HOE KY-206 FRAME & COVER "STORM" SUPPLIED BY ICAST - FRAME TO BE CAST INTO TOP PHASE TOP FLANGE SIDE UP

STRUCTURE SUMMARY:

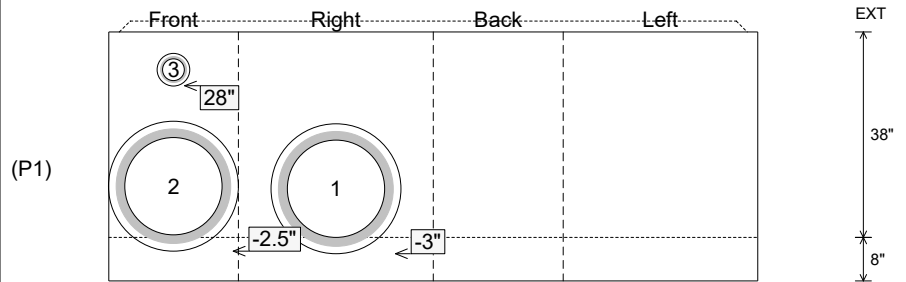
- P3) 24" x 120" - CB INLET KY A 10' TOP RIGHT F/G - 10" 3398 lb
- P2) 24" x 120" - CB INLET KY A 10' BOTTOM RIGHT T/G - 18" 5270 lb
- P1) 24" x 36" - BOX BASE 8inW, 8inF, Variable Ht T/n - 38" 4723 lb
- 1) CASTING - HOE KY-206 F/C (KY TY1) 206 lb
- 1) This Structure Includes a Cast-in Item - KY-206 Frame Flange Side Up 0 lb
- 1) 24" x 36" - Conseal CS-102 1.00" 0 lb
- 2) Hole - 24 0 lb
- 1) Hole - 6 0 lb
- Structure Total: 13597 lb**



Position	Elev	Angle	Pipe	Pipe OD	Hole	Connector	Up (L)	Ref
Rim	971.96'							
Reducer								
Invert 1	966.46'	90°	18" HDPE	21.2"	24"	Hole 24	-3"	P1
Invert 2	966.5'	0°	18" HDPE	21.2"	24"	Hole 24	-2.5"	P1
Invert 3	968.88'	0°	4" HDPE (perf pipe)	4.8"	6"	Hole 6	28"	P1
Invert 4								
Invert 5								
Invert 6								
Invert 7								
Invert 8								



Cast (Int. Dim.) - Interior Dimensions



Submittal Drawing
 3/30/2026 8:20:16 AM

SUBMITTAL
 APPROVED BY: