

**Job Name: 25-4257 - KYTC Pulaski Co Call 108 (254106)**  
**Job Location: Somerset, KY**  
**Contractor: Weddle Enterprises, Inc**

PC: Celina Goff  
 TECH: Jared - A  
 Plant: 100



Structure ID: 1102  
 Spec: KYTC  
 Type: CBI TYPE A (10')  
 Size: 24" x 36"

Rim: 973.19'  
 Invert: 967.97'  
 Rim to Invert: 5.22'

Sump: 0"  
 Floor (Top): 967.97'  
 Floor Height: 8"

Floor (Bot): 967.303'  
 Overall Height: 5.833'  
 Slack: 0.64"

**Structure Notes:**

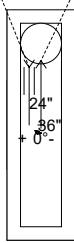
- \*\* KYTC STATE PROJECT \*\*
- PER KYTC CBI TYPE A / ASTM C-913 SPECS
  - CONCRETE: 4,000 PSI AT 28 DAYS
  - REINFORCEMENT:
    - TOP PHASE TOP: #5 BAR @ 6" C.C. E.W. (GRADE 60)
    - TOP PHASE BOTTOM: #5 BAR @ 12" C.C. E.W. (GRADE 60)
    - PIPE CHAMBER: #5 BAR @ 12" C.C. E.W. (GRADE 60)
  - NO STORM INVERT
  - NO STEPS
  - HOE KY-206 FRAME & COVER "STORM" SUPPLIED BY ICAST - FRAME TO BE CAST INTO TOP PHASE TOP FLANGE SIDE UP
  - INVERT 2 OFFSET 7" FROM CENTER OF WALL

**STRUCTURE SUMMARY:**

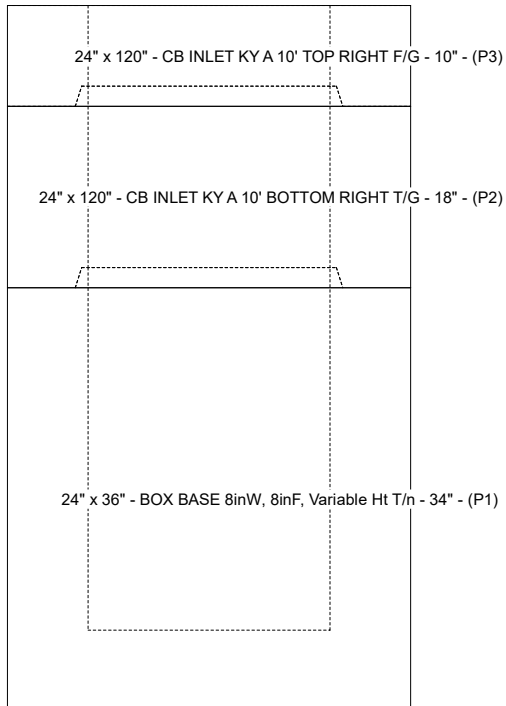
P3) 24" x 120" - CB INLET KY A 10' TOP RIGHT F/G - 10"	3398 lb
P2) 24" x 120" - CB INLET KY A 10' BOTTOM RIGHT T/G - 18"	5270 lb
P1) 24" x 36" - BOX BASE 8inW, 8inF, Variable Ht T/n - 34"	4619 lb
1) CASTING - HOE KY-206 F/C (KY TY1)	206 lb
1) This Structure Includes a Cast-in Item - KY-206 Frame Flange Side Up	0 lb
1) 24" x 36" - Conseal CS-102 1.00"	0 lb
1) Hole - 24	0 lb
1) Hole - 6	0 lb
<b>Structure Total:</b>	<b>13493 lb</b>

Invert: 2  
Degree: 180°

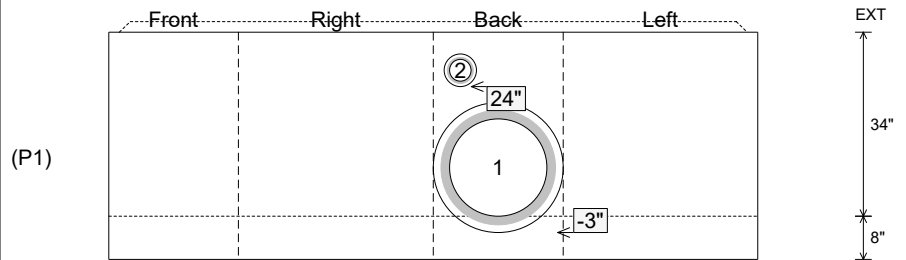
Invert: 1  
Degree: 180°



Position	Elev	Angle	Pipe	Pipe OD	Hole	Connector	Up (L)	Ref
Rim	973.19'							
Reducer								
Invert 1	967.97'	180°	18" HDPE	21.2"	24"	Hole 24	-3"	P1
Invert 2	970.05'	180°	4" HDPE (perf pipe)	4.8"	6"	Hole 6	24"	P1
Invert 3								
Invert 4								
Invert 5								
Invert 6								
Invert 7								
Invert 8								



**Cast (Int. Dim.) - Interior Dimensions**



Submittal Drawing  
 3/30/2026 8:20:17 AM

SUBMITTAL  
 APPROVED BY: