

Job Name: 25-4256 Knoxville Quarry
 Job Location: Knoxville, TN
 Contractor: RA Alexander

Plant: 100

12/5/2025 11:27:23 AM

Tech: J.Jorsley - A

PC: Andy Chambers



Structure ID: 3

P2 BX096096-12LD12W

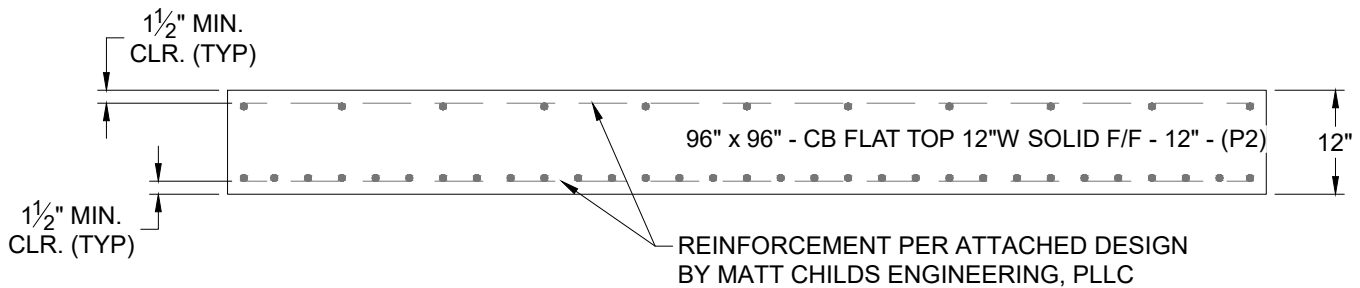
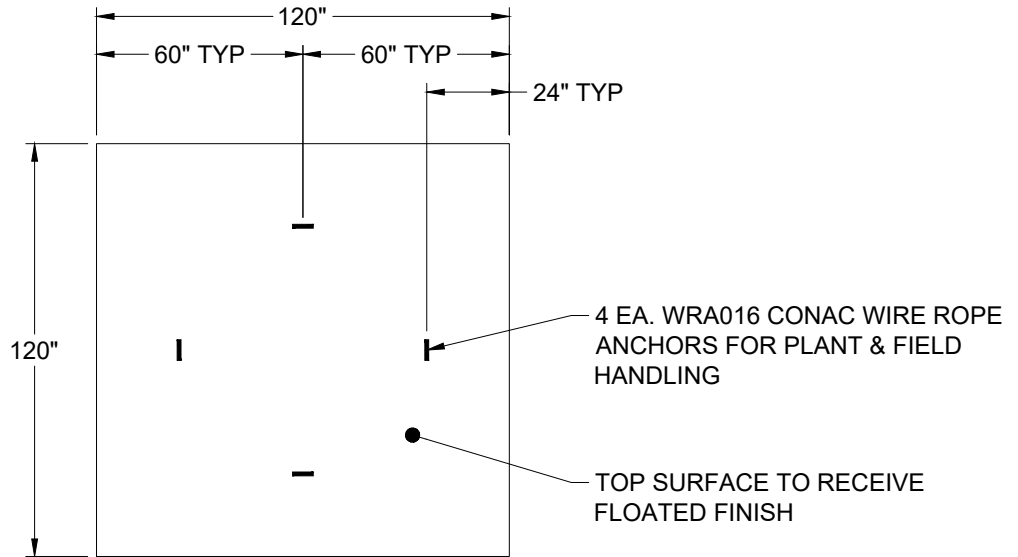
CB FLAT TOP 12"W SOLID F/F

- P2) 96" x 96" - CB FLAT TOP 12"W SOLID F/F - 12"
- P1) 96" x 96" - BOX BASE 12inW, 12inF, Variable Ht F/n - 88"
- 1) SECONDARY POUR
- 1) 96" x 96" - Conseal CS-102 1.00"
- 2) Hole - 76
- 7) MH Step ML-10-TDS-NCR - 10"

14500 lb
 43644 lb
 0 lb
 0 lb
 0 lb
 0 lb
 0 lb

Structure Total: 58144 lb

- Structure Notes:
1. PER ASTM C-913 SPECIFICATIONS
 2. CONCRETE: 4,500 PSI AT 28 DAYS
 3. REINFORCEMENT: PER ATTACHED DESIGN BY MATT CHILDS ENGINEERING, PLLC
 4. NO INVERT CHANNEL
 5. NO CASTING
 6. LIFTERS: 4 EA. WRA016 CONAC WIRE ROPE ANCHORS FOR PLANT & FIELD HANDLING



Coating (Int):
 Coating (Ext):

Seam Up: Flat
 Seam Dn: Flat

Wall Thickness: 12"

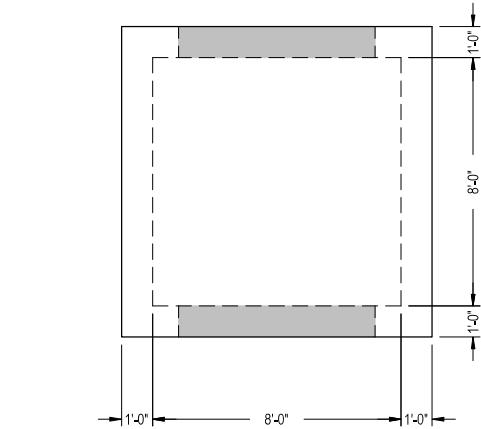
Height (Ext): 12"

Weight (Net): 14500 lb
 Volume (Net): 3.7cu.yd

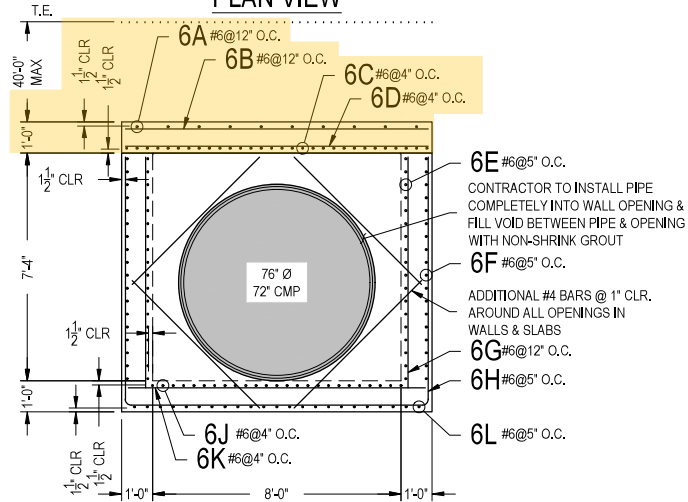
DESIGN NOTE:

HL93 LOADING
 CONCRETE 28 DAY COMPRESSIVE STRENGTH - 5000 PSI
 REINFORCEMENT STEEL - 60,000 PSI
 REBAR MIN SPLICE LENGTHS: #4-22" #5-28" #6-33"
 PLACE 4-#4 BAR DIAGONAL AROUND OPENING(S)

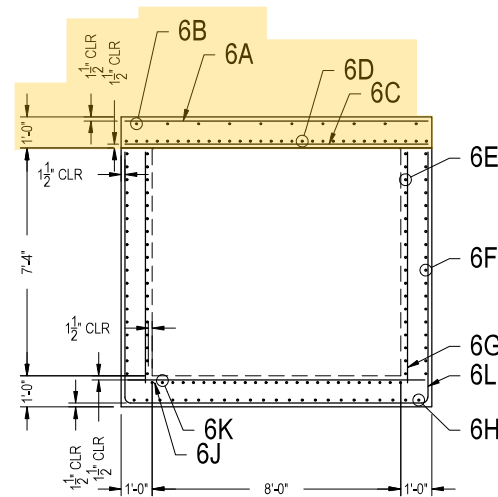
STEEL REINFORCEMENT SHOWN BELOW SHALL BE CUT AS REQUIRED FOR WALL PENETRATIONS AND PRECAST JOINT LOCATIONS.
 PLEASE NOTE: DUE TO PRECAST PRODUCTION CONSTRAINTS, NO REINFORCING WILL BE CONTINUOUS ACROSS PRECAST JOINTS.



PLAN VIEW



FRONT VIEW



RIGHT VIEW

REINFORCING STEEL SCHEDULE

MARK	NO.	LENGTH	TYPE	Lb/EA.	TOTAL LB	BENDING DIAGRAM
6A	10	9'-9"	STR.	14,6445	146,445	
6B	10	9'-9"	STR.	14,6445	146,445	
6C	30	9'-9"	STR.	14,6445	439,335	
6D	30	9'-9"	STR.	14,6445	439,335	
6E	18	19'-5" (2)	BENT	29,1638	1049,898	
6F	18	22'-2" (2)	BENT	33,2943	1198,596	
6G	32	7'-4"	STR.	11,0147	352,4693	
6H	23	25'-11"	BENT	38,9268	895,3172	
6J	25	9'-9"	STR.	14,6445	366,1125	
6K	25	9'-9"	STR.	14,6445	366,1125	
6L	23	25'-11"	BENT	38,9268	895,3172	

STORM JUNCTION BOX
 8'-0" x 8'-0"
 RA ALEXANDER
 25-4256 KNOXVILLE QUARRY
 DATE: 1/26/2025
 PAGE: 1 OF 1

DRAWN BY: MBJ
 SCALE: 1/4" = 1'

NO.	REVISIONS

MATT CHILDS ENGINEERING, P.C.
 516 E. INTERSTATE 30, #1017
 ROCKWALL, TX 75087