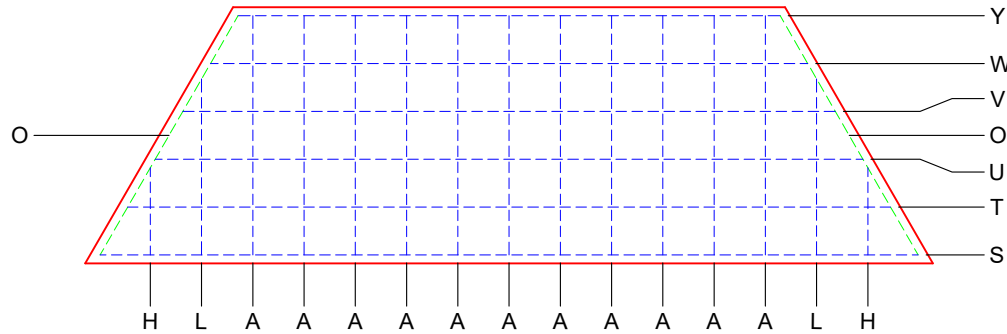
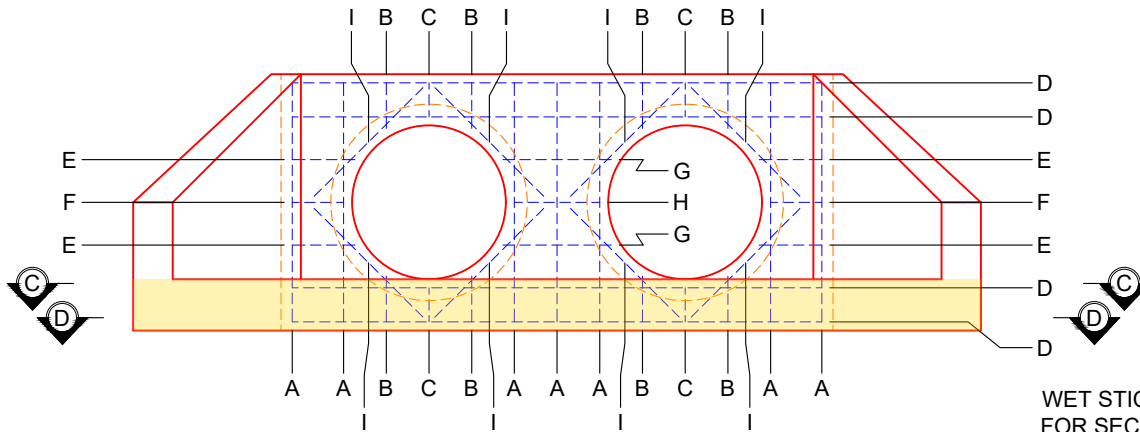


SECTION C-C (TOP MAT)
(RIGHT SIDE UP)

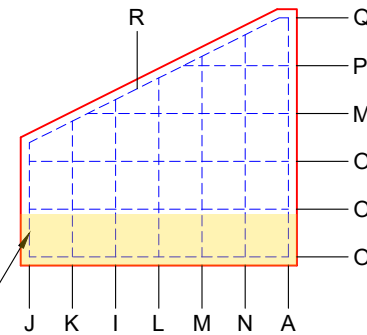


SECTION D-D (BOTTOM MAT)
(RIGHT SIDE UP)



FRONT VIEW
(RIGHT SIDE UP)

WET STICK VERTICALS
FOR SECONDARY POUR



SECTION A-A
(RIGHT SIDE UP)

GENERAL NOTES:

1. CONCRETE: 4,500 PSI AT 28 DAYS
2. REINFORCEMENT: #4 BAR @ 12" C.C. E.W. (GRADE 60) - 2" MIN. REBAR CLEARANCE (TYP)
3. REINFORCING BARS TO BE TACK WELDED OR TIED
4. 3/4" CHAMFER REQUIRED ON ALL EXPOSED EDGES
5. PIPE & LIFTING ANCHOR POCKETS TO BE GROUTED BY CONTRACTOR
6. TOTAL WEIGHT: 15,461 LBS
- FIRST POUR: 9,899 LBS
- SECOND POUR: 5,562 LBS
7. EACH STRUCTURE WILL REQUIRE BASE POUR (FIRST POUR) & THEN WALL POUR (SECOND POUR)

P1 HWDBLCUSTOM
Structure ID: 7-54255 (2)

36" - PIPE CULVERT DBL HEADWALL F/F

Job Name: 25-4255 - Dawson Springs City Park Ph 2
Job Location: Dawson Springs, KY
Contractor: J & J Excavating

Plant: Beaver Dam, KY
4/10/2026 10:17:07 AM

Tech: J. Coppage
P.C.: E. Bradley



Job Name: 25-4255 - Dawson Springs City Park Ph 2
 Job Location: Dawson Springs, KY
 Contractor: J & J Excavating

Plant: Beaver Dam, KY
 Tech: J. Coppage
 4/10/2026 10:17:07 AM
 PC: E. Bradley

Structure ID: 7-54255 (2)

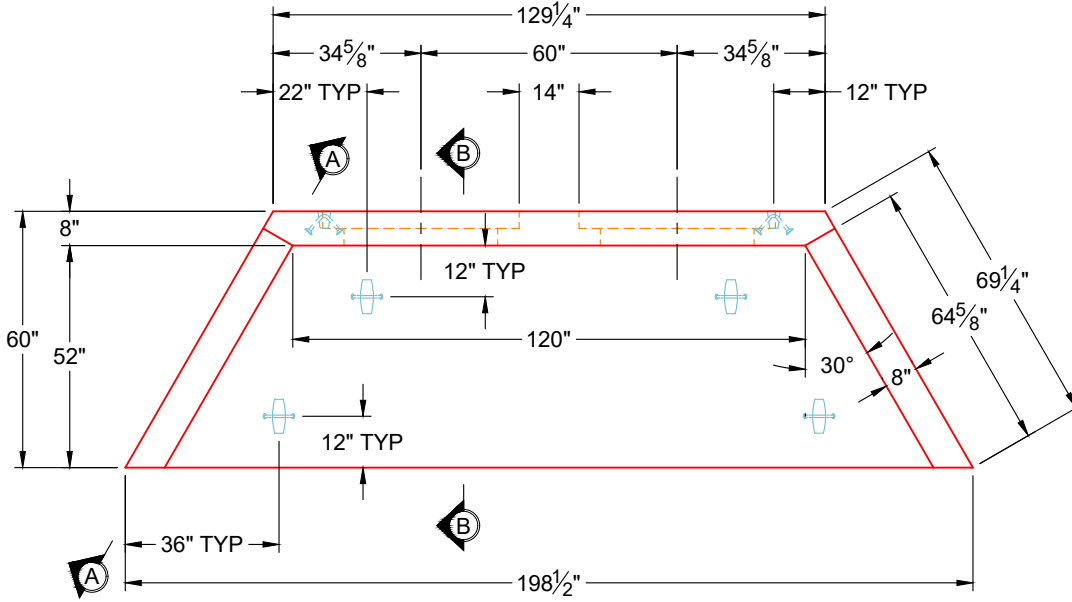
P1 HWDBLCUSTOM

36" - PIPE CULVERT DBL HEADWALL F/F

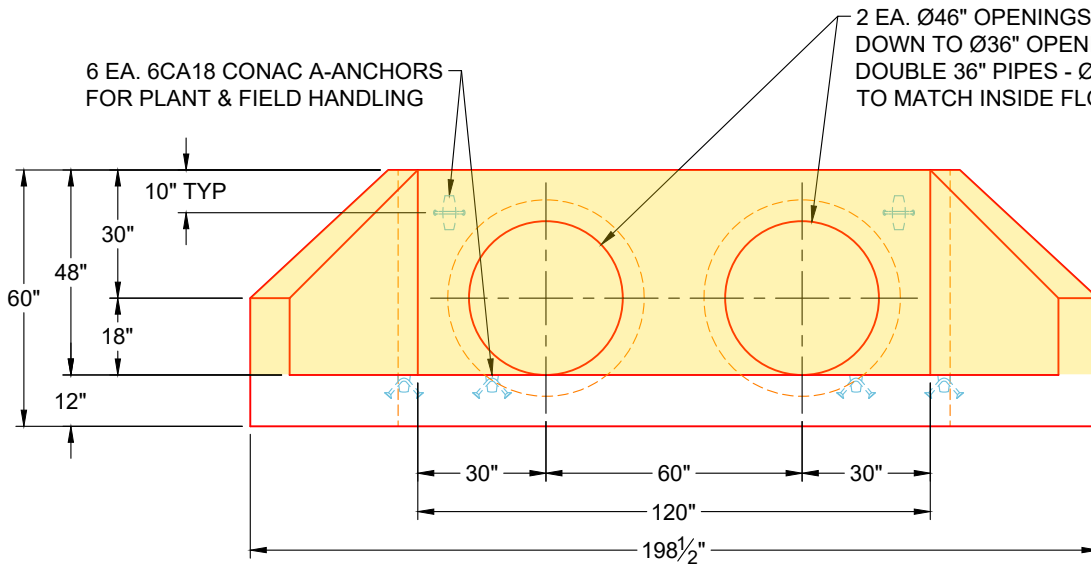


ITEM #	LENGTH	SIZE	QTY
O	60"	#4	6
P	24"	#4	2
Q	2"	#4	2
R	65"	#4	2
S	191"	#4	2
T	178"	#4	2
U	165"	#4	2
V	152"	#4	2
W	139"	#4	2
X	126"	#4	2
Y	124"	#4	1
Z	19"	#4	2
AA	50"	#4	4

ITEM #	LENGTH	SIZE	QTY
A	56"	#4	27
B	10"	#4	8
C	8"	#4	4
D	124"	#4	4
E	14"	#4	4
F	12"	#4	2
G	25"	#4	2
H	20"	#4	5
I	36"	#4	10
J	26"	#4	2
K	31"	#4	3
L	41"	#4	6
M	46"	#4	4
N	52"	#4	2



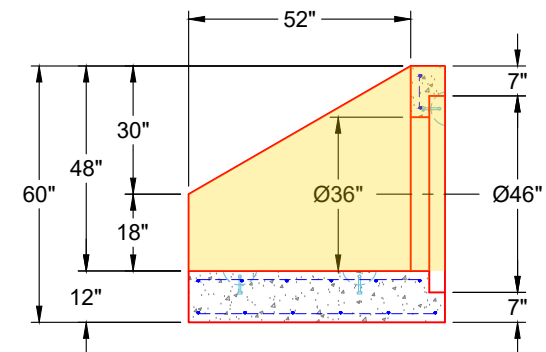
**TOP VIEW
(RIGHT SIDE UP)**



**FRONT VIEW
(RIGHT SIDE UP)**

GENERAL NOTES:

1. CONCRETE: 4,500 PSI AT 28 DAYS
2. REINFORCEMENT: #4 BAR @ 12" C.C. E.W. (GRADE 60) - 2" MIN. REBAR CLEARANCE (TYP)
3. REINFORCING BARS TO BE TACK WELDED OR TIED
4. 3/4" CHAMFER REQUIRED ON ALL EXPOSED EDGES
5. PIPE & LIFTING ANCHOR POCKETS TO BE GROUTED BY CONTRACTOR
6. TOTAL WEIGHT: 15,461 LBS
- FIRST POUR: 9,899 LBS
- SECOND POUR: 5,562 LBS
7. EACH STRUCTURE WILL REQUIRE BASE POUR (FIRST POUR) & THEN WALL POUR (SECOND POUR)



**SECTION B-B
(RIGHT SIDE UP)**

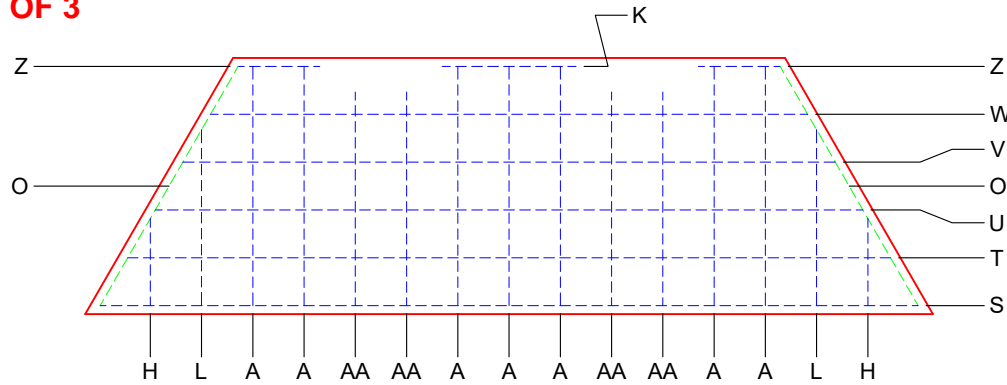
P1 HWDBLCUSTOM
Structure ID: 7-54255 (2)

36" - PIPE CULVERT DBL HEADWALL F/F

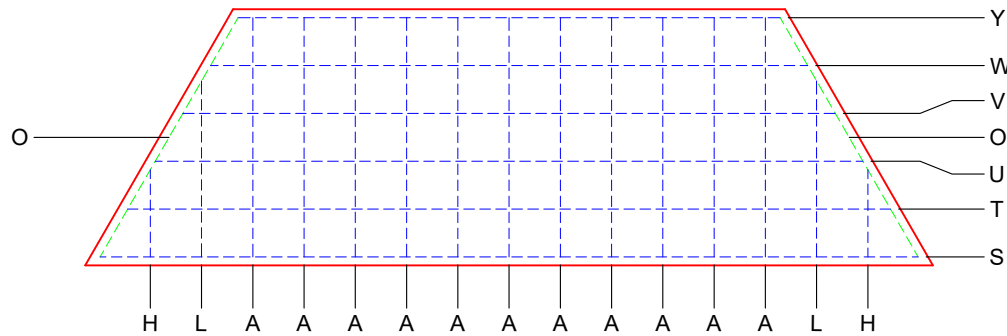
Job Name: 25-4255 - Dawson Springs City Park Ph 2
Job Location: Dawson Springs, KY
Contractor: J & J Excavating

Plant: Beaver Dam, KY
4/10/2026 10:17:07 AM
Tech: J. Coppage
P.C.: E. Bradley

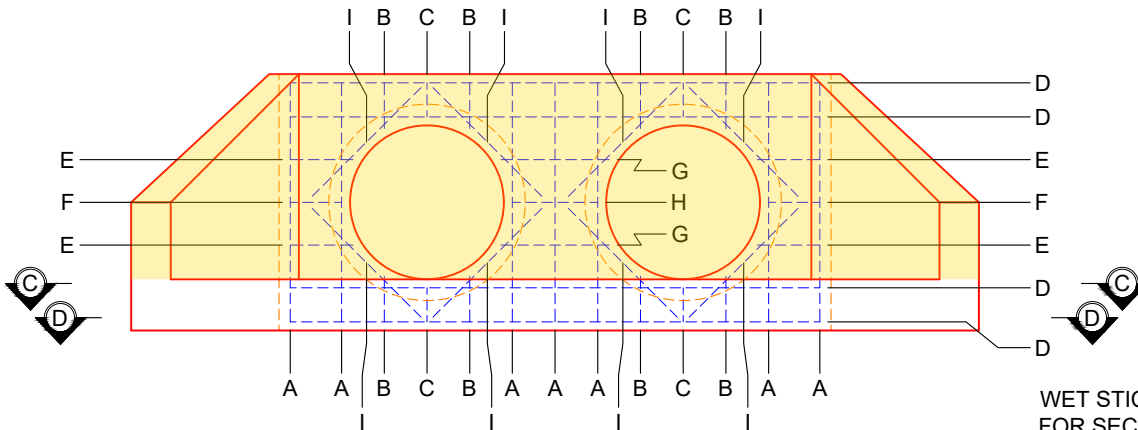




**SECTION C-C (TOP MAT)
(RIGHT SIDE UP)**

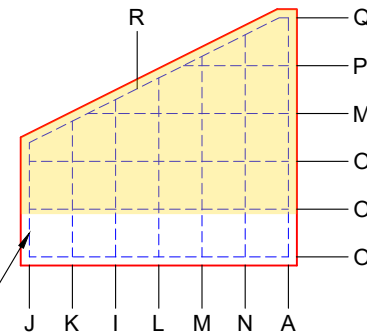


**SECTION D-D (BOTTOM MAT)
(RIGHT SIDE UP)**



**FRONT VIEW
(RIGHT SIDE UP)**

WET STICK VERTICALS
FOR SECONDARY POUR



**SECTION A-A
(RIGHT SIDE UP)**

GENERAL NOTES:

1. CONCRETE: 4,500 PSI AT 28 DAYS
2. REINFORCEMENT: #4 BAR @ 12" C.C. E.W. (GRADE 60) - 2" MIN. REBAR CLEARANCE (TYP)
3. REINFORCING BARS TO BE TACK WELDED OR TIED
4. 3/4" CHAMFER REQUIRED ON ALL EXPOSED EDGES
5. PIPE & LIFTING ANCHOR POCKETS TO BE GROUTED BY CONTRACTOR
6. TOTAL WEIGHT: 15,461 LBS
- FIRST POUR: 9,899 LBS
- SECOND POUR: 5,562 LBS
7. EACH STRUCTURE WILL REQUIRE BASE POUR (FIRST POUR) & THEN WALL POUR (SECOND POUR)

P1 HWDBLCUSTOM
Structure ID: 7-54255 (2)

36" - PIPE CULVERT DBL HEADWALL F/F

Job Name: 25-4255 - Dawson Springs City Park Ph 2
Job Location: Dawson Springs, KY
Contractor: J & J Excavating

Plant: Beaver Dam, KY
4/10/2026 10:17:07 AM

Tech: J. Coppage
P.C.: E. Bradley



Job Name: 25-4255 - Dawson Springs City Park Ph 2
 Job Location: Dawson Springs, KY
 Contractor: J & J Excavating

Plant: Beaver Dam, KY
 Tech: J. Coppage
 4/10/2026 10:17:07 AM
 PC: E. Bradley



Structure ID: 7-54255 (2)

P1 HWDBLCUSTOM

36" - PIPE CULVERT DBL HEADWALL F/F

ITEM #	LENGTH	SIZE	QTY
O	60"	#4	6
P	24"	#4	2
Q	2"	#4	2
R	65"	#4	2
S	191"	#4	2
T	178"	#4	2
U	165"	#4	2
V	152"	#4	2
W	139"	#4	2
X	126"	#4	2
Y	124"	#4	1
Z	19"	#4	2
AA	50"	#4	4

ITEM #	LENGTH	SIZE	QTY
A	56"	#4	27
B	10"	#4	8
C	8"	#4	4
D	124"	#4	4
E	14"	#4	4
F	12"	#4	2
G	25"	#4	2
H	20"	#4	5
I	36"	#4	10
J	26"	#4	2
K	31"	#4	3
L	41"	#4	6
M	46"	#4	4
N	52"	#4	2