



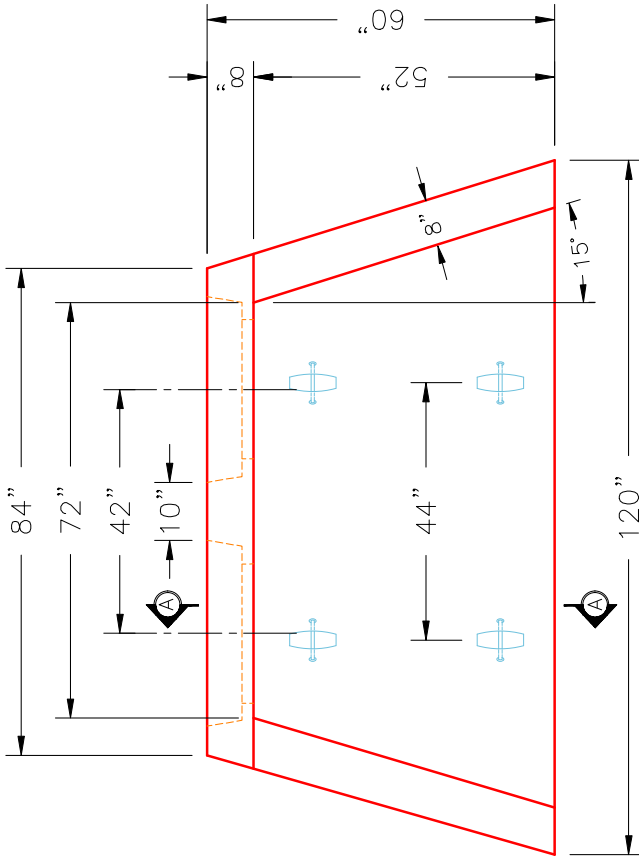
Structure ID: 6-54255 (2)

P1 HWDBLCUSTOM

24" - DBL S&F HEADWALL F/F

GENERAL NOTES:

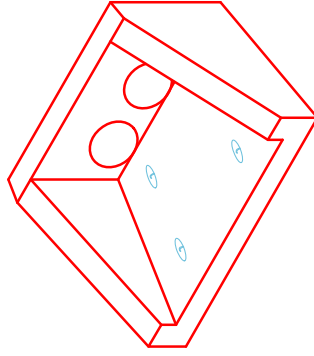
1. THE FOLLOWING STANDARD SPECIFICATIONS APPLY:
 - REINFORCING-811.02, STRUCTURE-710.03.01
 - TACK WELDING-605.03.04
2. MINIMUM 2" CONCRETE COVER ON REBAR.
3. CONCRETE-4500 PSI @ 28 DAYS.
4. WITH AIR ENTRAINMENT.
5. ALL PICK UP POINTS GROUTED BY CONTRACTOR.
6. WITH STACK APPROVED NON-SHRINK GROUT.
7. REINFORCING: #5 @ 12" C/C E.W. TYPICAL.
8. WEIGHT: 7,100 LBS.
9. STRUCTURE ID IS PIPE INVERT ELEVATION.



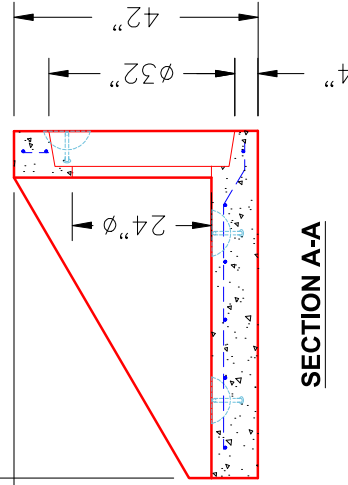
PLAN VIEW

2 EA. 32"φ STEPPED TO 24"φ HOLES FOR DOUBLE 24"φ ADS N-12 PIPES 24"φ TO MATCH INSIDE FLOOR.

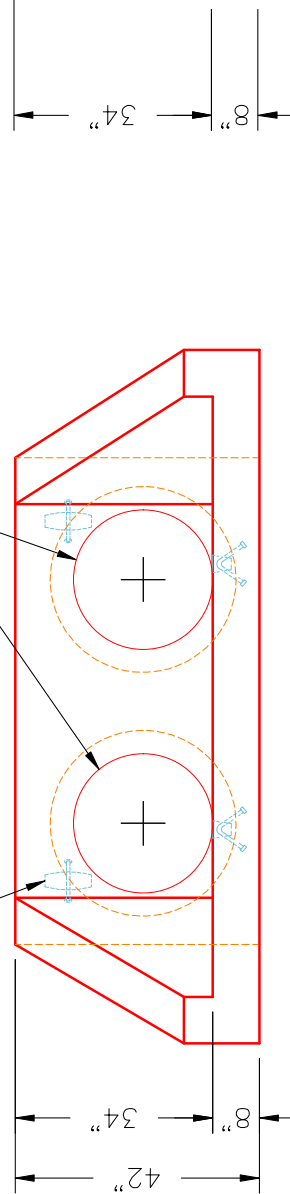
6 EA. CONAC 6CA18 LIFTING ANCHORS (4 EA. IN FLOOR)



ISOMETRIC VIEW



SECTION A-A



FRONT ELEVATION

SUBMITTAL DRAWING: 24" DOUBLE S&F HEADWALL	
CUSTOMER: J&J EXCAVATING	
PROJECT: DAWSON SPRINGS CITY PARK PH 2	
STRUCTURE: 6-54255 (2)	
QUOTE/SALES ORDER NO: 25-4255	DRAWN BY: J. COPPAGE
PC: E. BRADLEY	SCALE: NTS
DATE: 11/12/25	PG. 1 of 1



REVISION INFORMATION	
REV. Δ	NO REVISIONS TO DATE