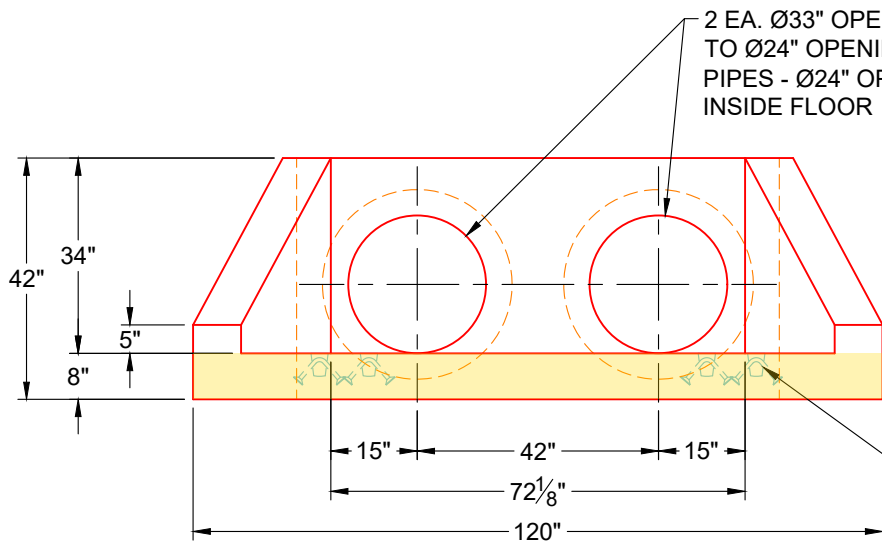


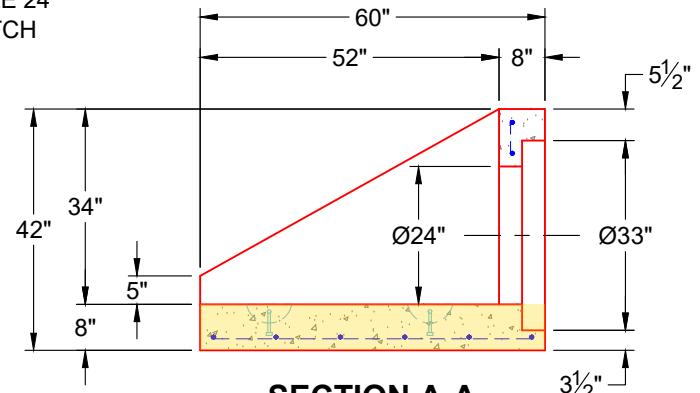
**TOP VIEW  
(RIGHT SIDE UP)**



**FRONT VIEW  
(RIGHT SIDE UP)**

**GENERAL NOTES:**

1. FOLLOWING STANDARD SPECIFICATIONS APPLY:
  - REINFORCING: 811.02
  - STRUCTURE: 710.03.01
  - TACK WELDING: 605.03.04
2. CONCRETE: 4,500 PSI AT 28 DAYS
3. REINFORCEMENT: #5 BAR @ 12" C.C. E.W. (GRADE 60) - 2" MIN. REBAR CLEARANCE (TYP)
4. REINFORCING BARS TO BE TACK WELDED OR TIED
5. 3/4" CHAMFER REQUIRED ON ALL EXPOSED EDGES
6. PIPE & LIFTING ANCHOR POCKETS TO BE GROUTED BY CONTRACTOR
7. TOTAL WEIGHT: 7,100 LBS
  - FIRST POUR: 4,108 LBS
  - SECOND POUR: 2,992 LBS
8. EACH STRUCTURE WILL REQUIRE BASE POUR (FIRST POUR) & THEN WALL POUR (SECOND POUR)



**SECTION A-A  
(RIGHT SIDE UP)**

**P1 HWDBLCUSTOM**

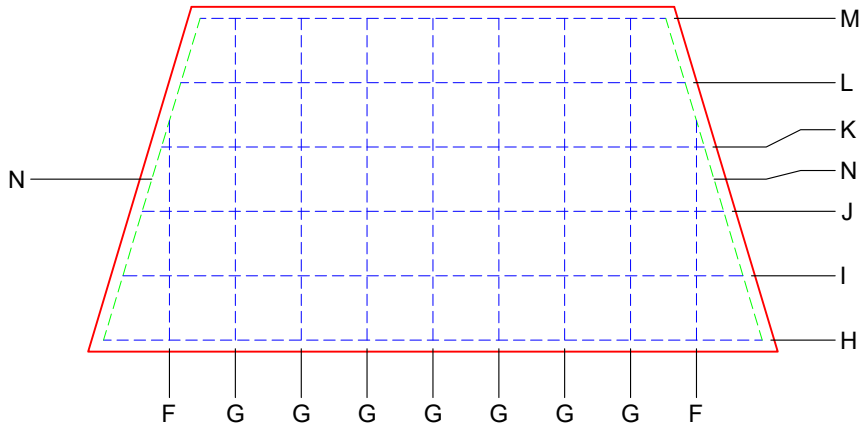
**24" - DBL S&F HEADWALL F/F**

Job Name: 25-4255 - Dawson Springs City Park Ph 2  
 Job Location: Dawson Springs, KY  
 Contractor: J & J Excavating

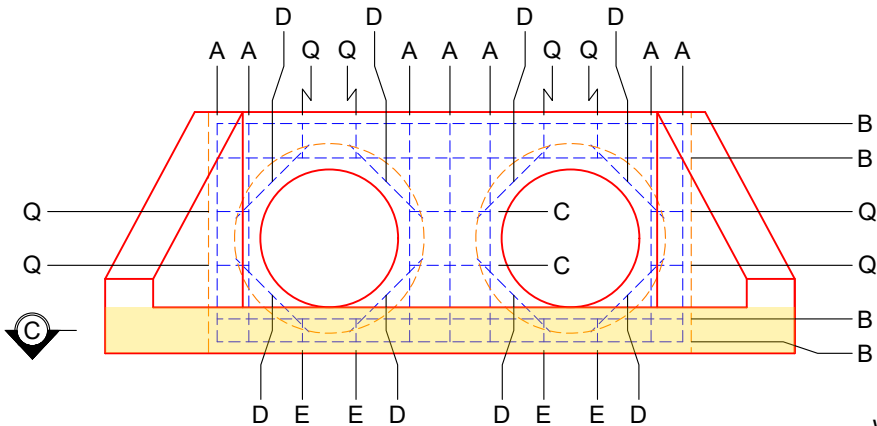
Plant: Beaver Dam, KY  
 4/10/2026 10:17:06 AM

Tech: J. Coppage  
 P.C.: E. Bradley



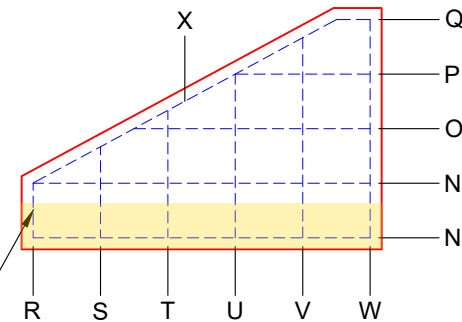


**SECTION C-C  
(RIGHT SIDE UP)**



**FRONT VIEW  
(RIGHT SIDE UP)**

WET STICK VERTICALS  
FOR SECONDARY POUR



**SECTION A-A  
(RIGHT SIDE UP)**

**GENERAL NOTES:**

1. FOLLOWING STANDARD SPECIFICATIONS APPLY:
  - REINFORCING: 811.02
  - STRUCTURE: 710.03.01
  - TACK WELDING: 605.03.04
2. CONCRETE: 4,500 PSI AT 28 DAYS
3. REINFORCEMENT: #5 BAR @ 12" C.C. E.W. (GRADE 60) - 2" MIN. REBAR CLEARANCE (TYP)
4. REINFORCING BARS TO BE TACK WELDED OR TIED
5. 3/4" CHAMFER REQUIRED ON ALL EXPOSED EDGES
6. PIPE & LIFTING ANCHOR POCKETS TO BE GROUTED BY CONTRACTOR
7. TOTAL WEIGHT: 7,100 LBS
  - FIRST POUR: 4,108 LBS
  - SECOND POUR: 2,992 LBS
8. EACH STRUCTURE WILL REQUIRE BASE POUR (FIRST POUR) & THEN WALL POUR (SECOND POUR)

**Structure ID: 6-54255 (2)**  
**P1 HWDBLCUSTOM**

**24" - DBL S&F HEADWALL F/F**

Job Name: 25-4255 - Dawson Springs City Park Ph 2  
Job Location: Dawson Springs, KY  
Contractor: J & J Excavating

Plant: Beaver Dam, KY  
4/10/2026 10:17:06 AM

Tech: J. Coppage  
P.C.: E. Bradley



Job Name: 25-4255 - Dawson Springs City Park Ph 2  
Job Location: Dawson Springs, KY  
Contractor: J & J Excavating

Plant: Beaver Dam, KY  
4/10/2026 10:17:06 AM

Tech: J. Coppage  
PC: E. Bradley



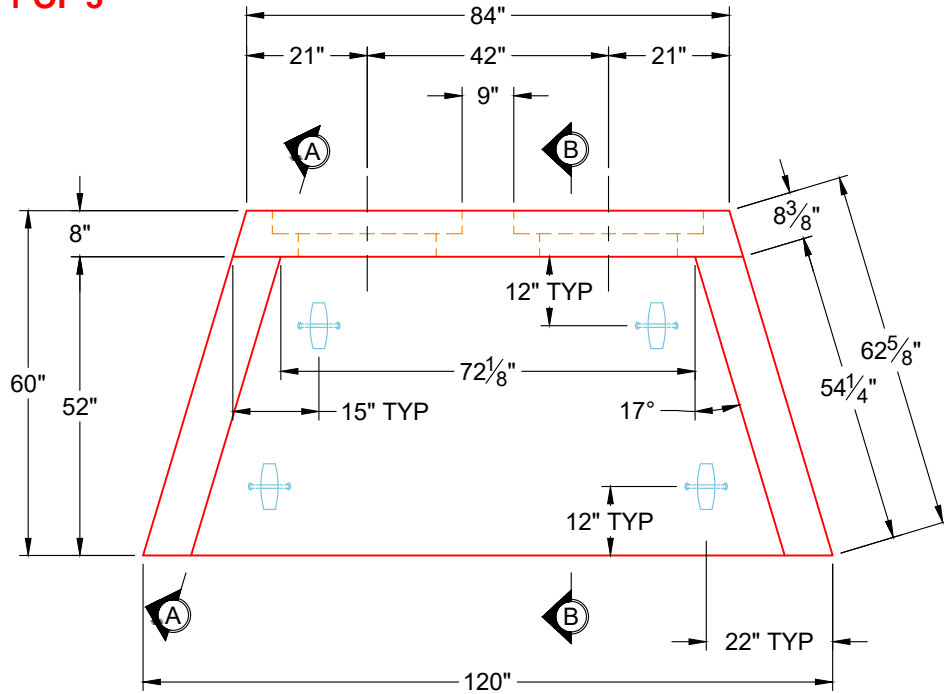
**Structure ID: 6-54255 (2)**

**P1 HWDBLCUSTOM**

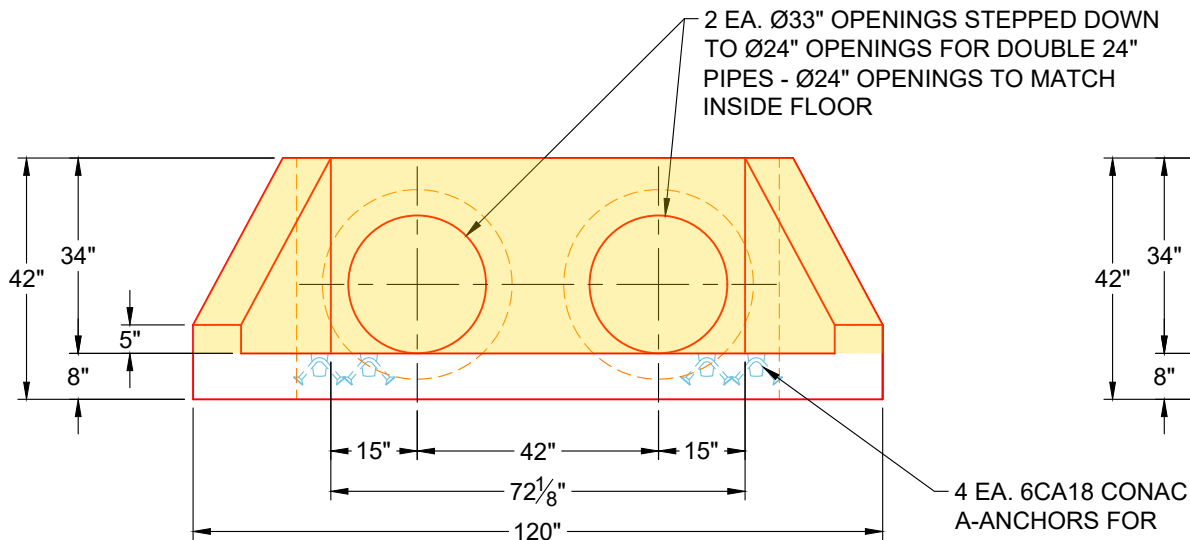
**24" - DBL S&F HEADWALL F/F**

**PG. 3 OF 3**

ITEM #	LENGTH	SIZE	QTY
A	38"	#5	7
B	81"	#5	4
C	14"	#5	2
D	18"	#5	8
E	4"	#5	4
F	38"	#5	2
G	56"	#5	7
H	115"	#5	1
I	108"	#5	1
J	101"	#5	1
K	94"	#5	1
L	88"	#5	1
M	81"	#5	1
N	59"	#5	4
O	41"	#5	2
P	23"	#5	2
Q	6"	#5	10
R	10"	#5	2
S	16"	#5	2
T	22"	#5	2
U	29"	#5	2
V	35"	#5	2
W	38"	#5	2
X	60"	#5	2



**TOP VIEW  
(RIGHT SIDE UP)**



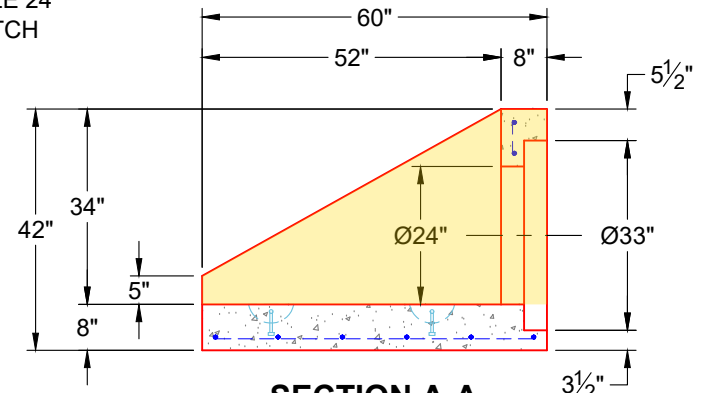
**FRONT VIEW  
(RIGHT SIDE UP)**

2 EA. Ø33" OPENINGS STEPPED DOWN TO Ø24" OPENINGS FOR DOUBLE 24" PIPES - Ø24" OPENINGS TO MATCH INSIDE FLOOR

4 EA. 6CA18 CONAC A-ANCHORS FOR PLANT & FIELD HANDLING

**GENERAL NOTES:**

1. FOLLOWING STANDARD SPECIFICATIONS APPLY:
  - REINFORCING: 811.02
  - STRUCTURE: 710.03.01
  - TACK WELDING: 605.03.04
2. CONCRETE: 4,500 PSI AT 28 DAYS
3. REINFORCEMENT: #5 BAR @ 12" C.C. E.W. (GRADE 60) - 2" MIN. REBAR CLEARANCE (TYP)
4. REINFORCING BARS TO BE TACK WELDED OR TIED
5. 3/4" CHAMFER REQUIRED ON ALL EXPOSED EDGES
6. PIPE & LIFTING ANCHOR POCKETS TO BE GROUTED BY CONTRACTOR
7. TOTAL WEIGHT: 7,100 LBS
  - FIRST POUR: 4,108 LBS
  - SECOND POUR: 2,992 LBS
8. EACH STRUCTURE WILL REQUIRE BASE POUR (FIRST POUR) & THEN WALL POUR (SECOND POUR)



**SECTION A-A  
(RIGHT SIDE UP)**

**P1 HWDBLCUSTOM**

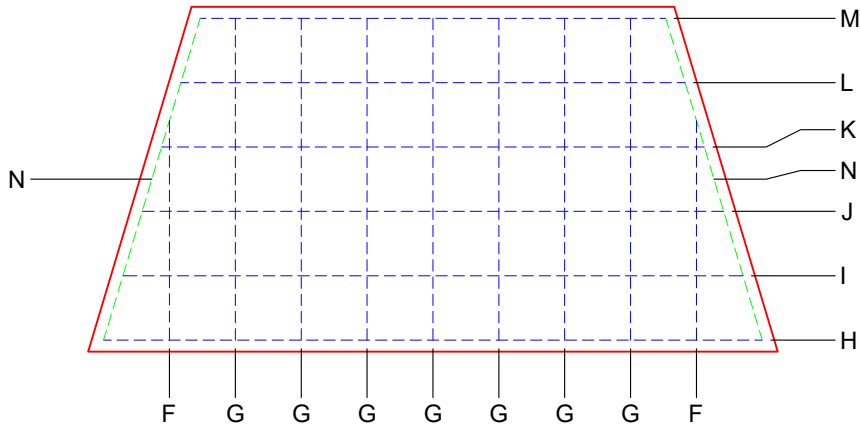
**24" - DBL S&F HEADWALL F/F**

Job Name: 25-4255 - Dawson Springs City Park Ph 2  
 Job Location: Dawson Springs, KY  
 Contractor: J & J Excavating

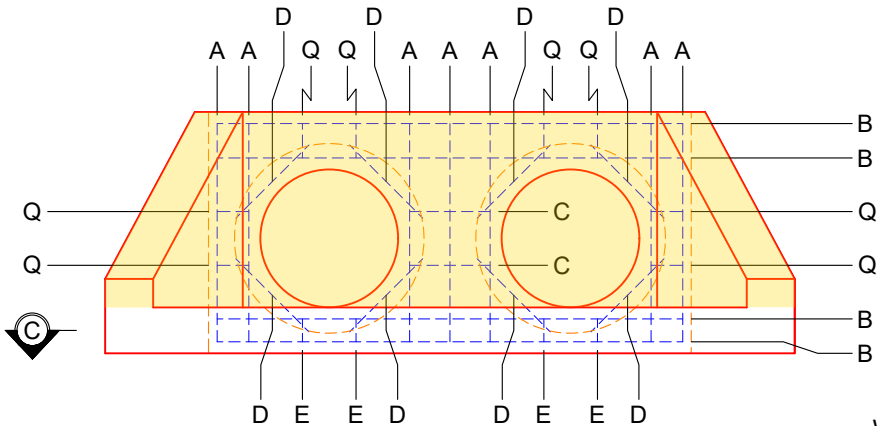
Plant: Beaver Dam, KY  
 4/10/2026 10:17:06 AM

Tech: J. Coppage  
 P.C.: E. Bradley



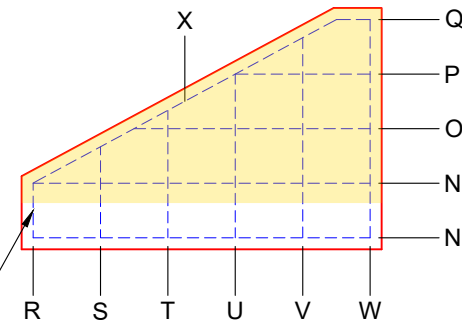


**SECTION C-C  
(RIGHT SIDE UP)**



**FRONT VIEW  
(RIGHT SIDE UP)**

WET STICK VERTICALS  
FOR SECONDARY POUR



**SECTION A-A  
(RIGHT SIDE UP)**

**GENERAL NOTES:**

1. FOLLOWING STANDARD SPECIFICATIONS APPLY:
  - REINFORCING: 811.02
  - STRUCTURE: 710.03.01
  - TACK WELDING: 605.03.04
2. CONCRETE: 4,500 PSI AT 28 DAYS
3. REINFORCEMENT: #5 BAR @ 12" C.C. E.W. (GRADE 60) - 2" MIN. REBAR CLEARANCE (TYP)
4. REINFORCING BARS TO BE TACK WELDED OR TIED
5. 3/4" CHAMFER REQUIRED ON ALL EXPOSED EDGES
6. PIPE & LIFTING ANCHOR POCKETS TO BE GROUTED BY CONTRACTOR
7. TOTAL WEIGHT: 7,100 LBS
  - FIRST POUR: 4,108 LBS
  - SECOND POUR: 2,992 LBS
8. EACH STRUCTURE WILL REQUIRE BASE POUR (FIRST POUR) & THEN WALL POUR (SECOND POUR)

**P1 HWDBLCUSTOM**  
**Structure ID: 6-54255 (2)**

**24" - DBL S&F HEADWALL F/F**

Job Name: 25-4255 - Dawson Springs City Park Ph 2  
Job Location: Dawson Springs, KY  
Contractor: J & J Excavating

Plant: Beaver Dam, KY  
4/10/2026 10:17:06 AM

Tech: J. Coppage  
P.C.: E. Bradley



Job Name: 25-4255 - Dawson Springs City Park Ph 2  
Job Location: Dawson Springs, KY  
Contractor: J & J Excavating

Plant: Beaver Dam, KY  
4/10/2026 10:17:06 AM

Tech: J. Coppage  
PC: E. Bradley



**Structure ID: 6-54255 (2)**

**P1 HWDBLCUSTOM**

**24" - DBL S&F HEADWALL F/F**

**PG. 3 OF 3**

ITEM #	LENGTH	SIZE	QTY
A	38"	#5	7
B	81"	#5	4
C	14"	#5	2
D	18"	#5	8
E	4"	#5	4
F	38"	#5	2
G	56"	#5	7
H	115"	#5	1
I	108"	#5	1
J	101"	#5	1
K	94"	#5	1
L	88"	#5	1
M	81"	#5	1
N	59"	#5	4
O	41"	#5	2
P	23"	#5	2
Q	6"	#5	10
R	10"	#5	2
S	16"	#5	2
T	22"	#5	2
U	29"	#5	2
V	35"	#5	2
W	38"	#5	2
X	60"	#5	2