



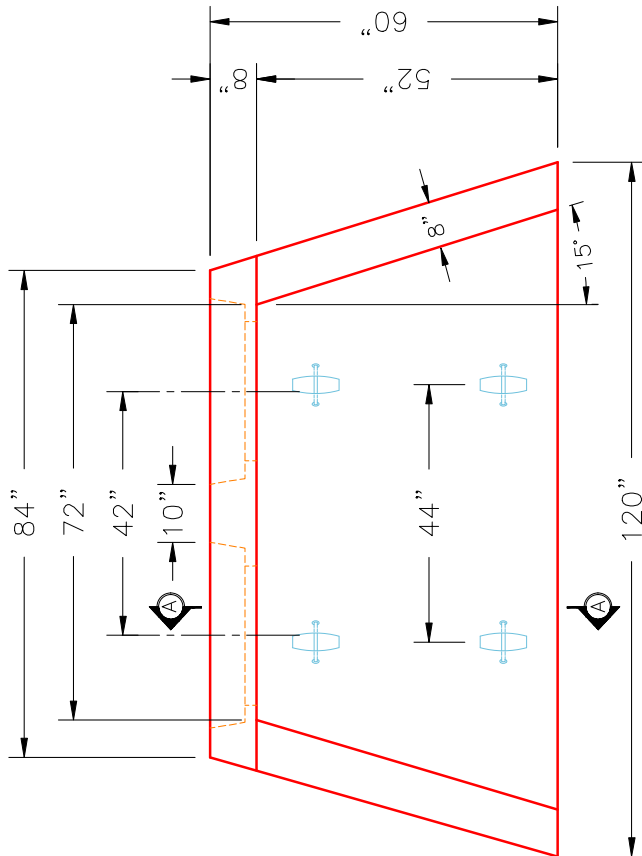
Structure ID: 6-54255 (1)

P1 HWDBLCUSTOM

24" - DBL S&F HEADWALL F/F

GENERAL NOTES:

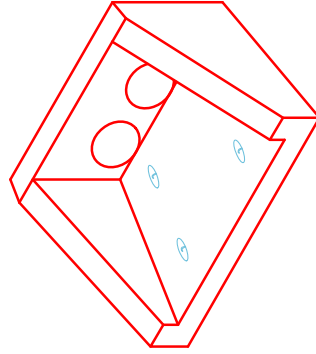
1. THE FOLLOWING STANDARD SPECIFICATIONS APPLY:
 - REINFORCING-811.02, STRUCTURE-710.03.01
 - TACK WELDING-605.03.04
2. MINIMUM 2" CONCRETE COVER ON REBAR.
3. CONCRETE-4500 PSI @ 28 DAYS.
4. WITH AIR ENTRAINMENT.
5. ALL PICK UP POINTS GROUTED BY CONTRACTOR.
6. WITH STACK APPROVED NON-SHRINK GROUT.
7. REINFORCING: #5 @ 12" C/C E.W. TYPICAL.
8. WEIGHT: 7,100 LBS.
9. STRUCTURE ID IS PIPE INVERT ELEVATION.



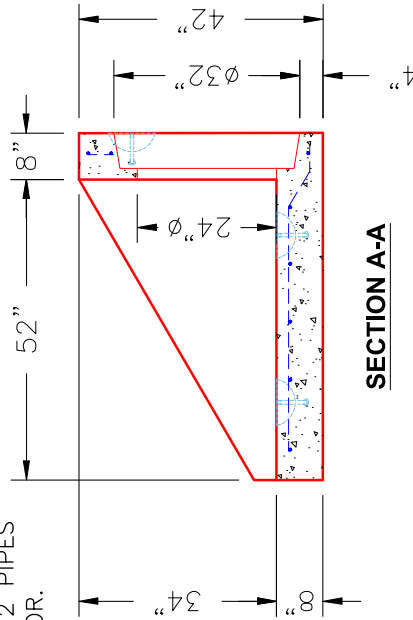
PLAN VIEW

2 EA. 32"φ STEPPED TO 24"φ HOLES FOR DOUBLE 24"φ ADS N-12 PIPES 24"φ TO MATCH INSIDE FLOOR.

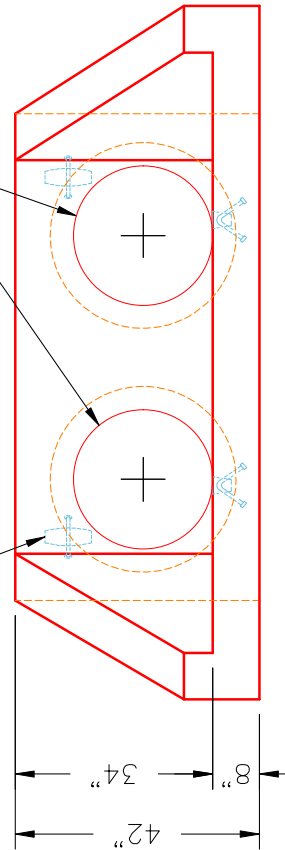
6 EA. CONAC 6CA18 LIFTING ANCHORS (4 EA. IN FLOOR)



ISOMETRIC VIEW



SECTION A-A



FRONT ELEVATION

| | |
|--|----------------------|
| SUBMITTAL DRAWING: 24" DOUBLE S&F HEADWALL | |
| CUSTOMER: J&J EXCAVATING | |
| PROJECT: DAWSON SPRINGS CITY PARK PH 2 | |
| STRUCTURE: 6-54255 (1) | |
| QUOTE/SALES ORDER NO: 25-4255 | DRAWN BY: J. COPPAGE |
| PC: E. BRADLEY | SCALE: NTS |
| DATE: 11/12/25 | PG. 1 of 1 |



| REVISION INFORMATION | |
|----------------------|----------------------|
| REV. Δ | NO REVISIONS TO DATE |
| | |
| | |
| | |
| | |

THIS DRAWING IS THE PROPERTY OF INFRASTRUCTURE PRECAST, INC. ANY USE OR DUPLICATION OF THIS DRAWING WITHOUT PRIOR AUTHORIZATION IS STRICTLY PROHIBITED.