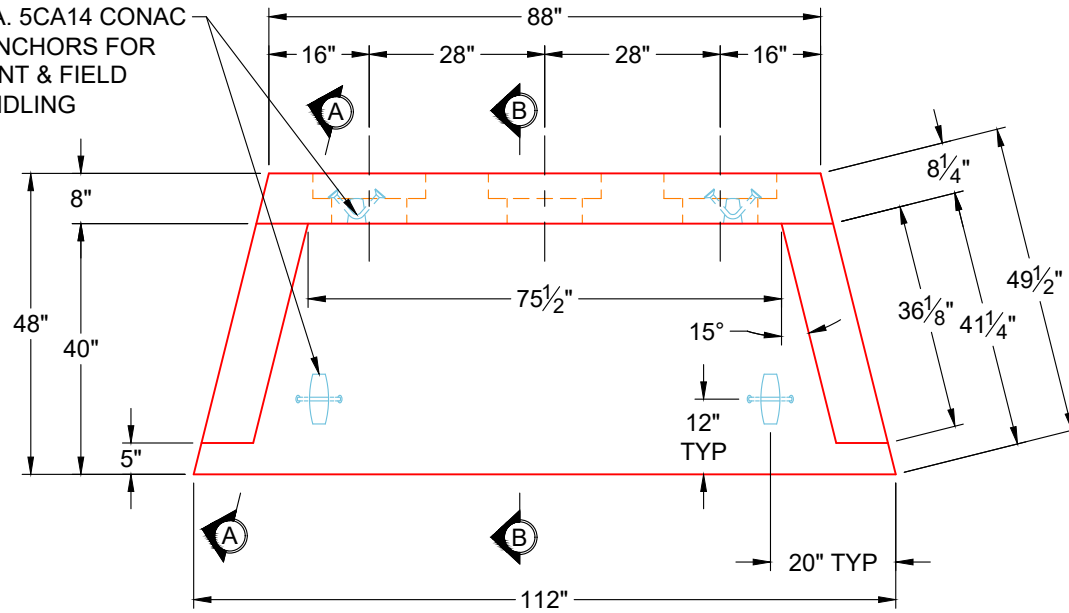
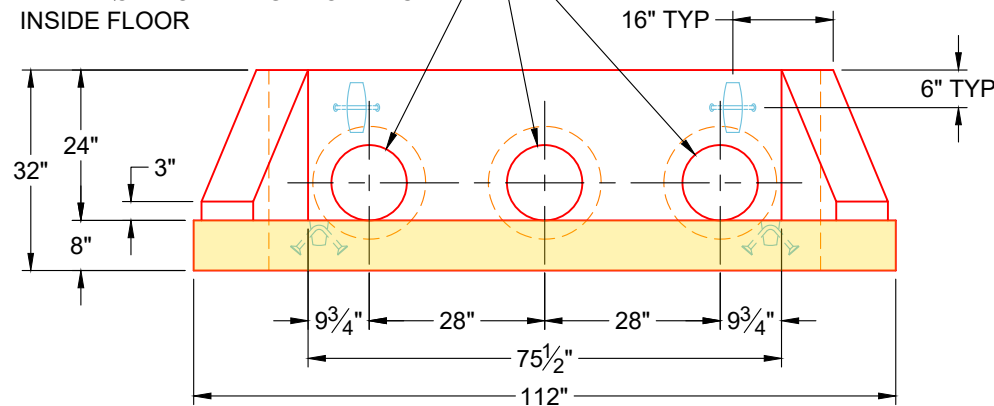


4 EA. 5CA14 CONAC  
A-ANCHORS FOR  
PLANT & FIELD  
HANDLING

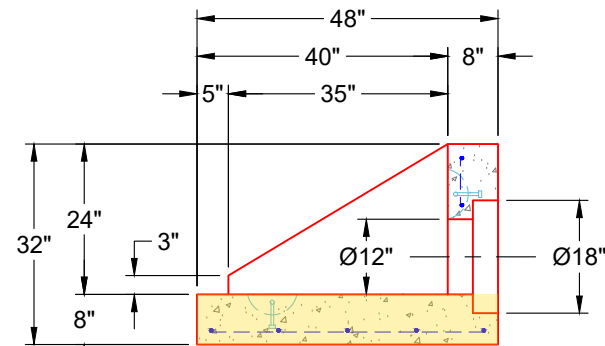


**TOP VIEW**  
(RIGHT SIDE UP)

3 EA. Ø18" OPENINGS STEPPED DOWN  
TO Ø12" OPENINGS FOR TRIPLE 12"  
PIPES - Ø12" OPENINGS TO MATCH  
INSIDE FLOOR



**FRONT VIEW**  
(RIGHT SIDE UP)



**SECTION B-B**  
(RIGHT SIDE UP)

**GENERAL NOTES:**

1. CONCRETE: 4,500 PSI AT 28 DAYS
2. REINFORCEMENT: #4 BAR @ 12" C.C. E.W. (GRADE 60) - 2" MIN. REBAR CLEARANCE (TYP)
3. REINFORCING BARS TO BE TACK WELDED OR TIED
4. 3/4" CHAMFER REQUIRED ON ALL EXPOSED EDGES
5. PIPE & LIFTING ANCHOR POCKETS TO BE GROUTED BY CONTRACTOR
6. TOTAL WEIGHT: 5,098 LBS  
- FIRST POUR: 3,222 LBS  
- SECOND POUR: 1,876 LBS
7. EACH STRUCTURE WILL REQUIRE BASE POUR (FIRST POUR) & THEN WALL POUR (SECOND POUR)

**P1 HWTPLCUSTOM**

**12" - TRIPLE S&F HEADWALL F/F**

Job Name: 25-4255 - Dawson Springs City Park Ph 2  
Job Location: Dawson Springs, KY  
Contractor: J & J Excavating

Plant: Beaver Dam, KY  
4/10/2026 10:17:06 AM

Tech: J. Coppage  
P.C.: E. Bradley



**Structure ID: 5-54255 (2)**

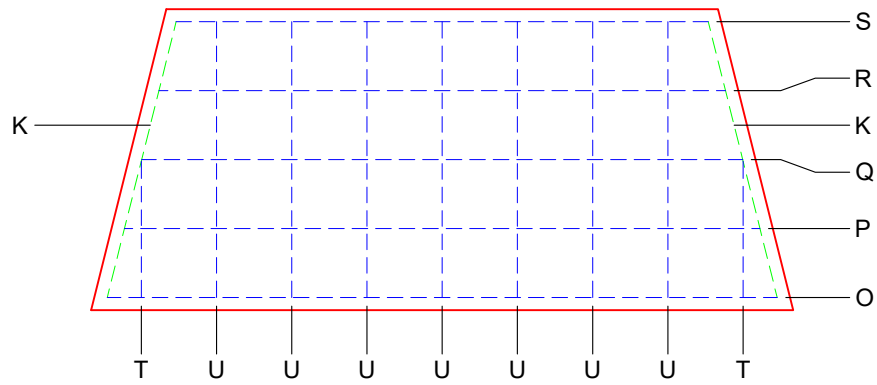
**P1 HWTPLCUSTOM**

**12" - TRIPLE S&F HEADWALL F/F**

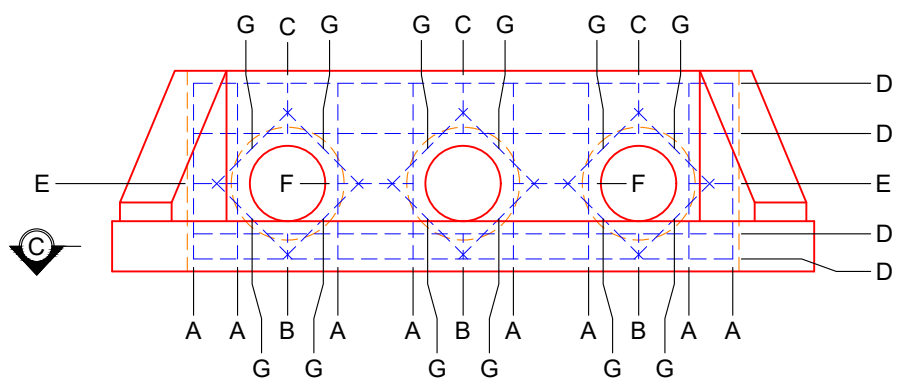


**GENERAL NOTES:**

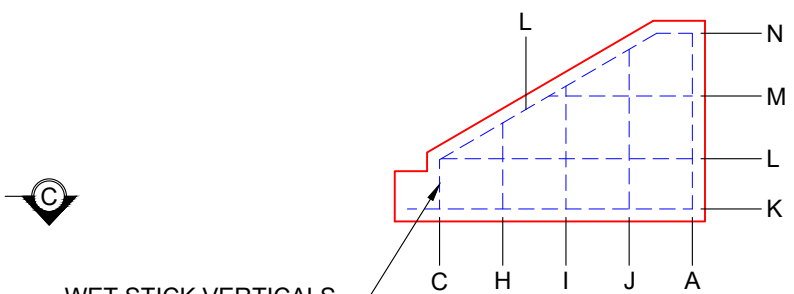
1. CONCRETE: 4,500 PSI AT 28 DAYS
2. REINFORCEMENT: #4 BAR @ 12" C.C. E.W. (GRADE 60) - 2" MIN. REBAR CLEARANCE (TYP)
3. REINFORCING BARS TO BE TACK WELDED OR TIED
4. 3/4" CHAMFER REQUIRED ON ALL EXPOSED EDGES
5. PIPE & LIFTING ANCHOR POCKETS TO BE GROUTED BY CONTRACTOR
6. TOTAL WEIGHT: 5,098 LBS  
 - FIRST POUR: 3,222 LBS  
 - SECOND POUR: 1,876 LBS
7. EACH STRUCTURE WILL REQUIRE BASE POUR (FIRST POUR) & THEN WALL POUR (SECOND POUR)



**SECTION C-C  
(RIGHT SIDE UP)**



**FRONT VIEW  
(RIGHT SIDE UP)**



WET STICK VERTICALS FOR SECONDARY POUR

**SECTION A-A  
(RIGHT SIDE UP)**

Job Name: 25-4255 - Dawson Springs City Park Ph 2  
Job Location: Dawson Springs, KY  
Contractor: J & J Excavating

Plant: Beaver Dam, KY  
4/10/2026 10:17:06 AM

Tech: J. Coppage  
PC: E. Bradley



**Structure ID: 5-54255 (2)**

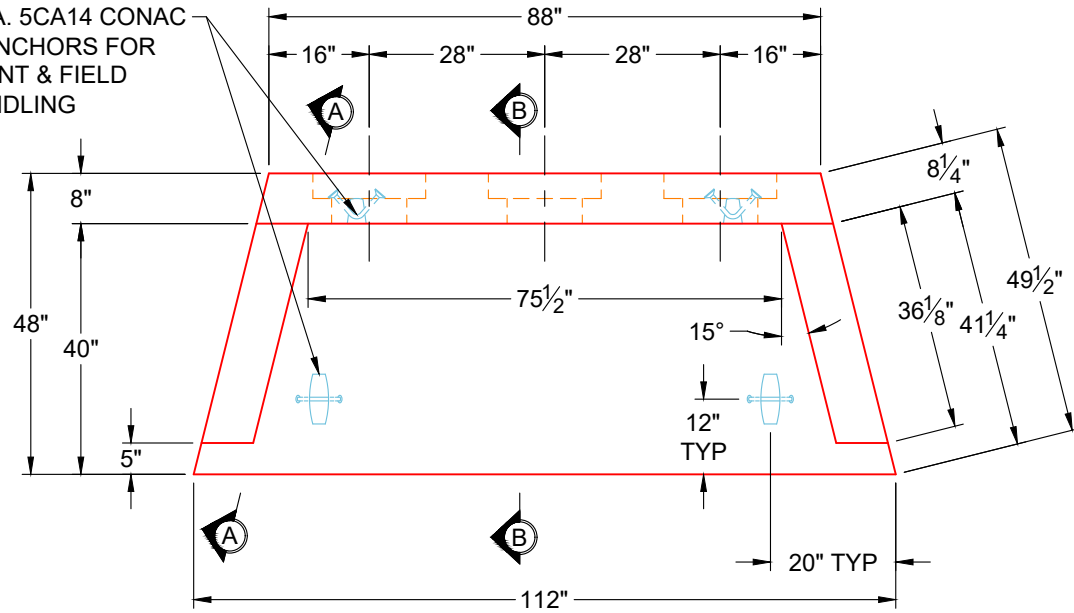
**P1 HWTPLCUSTOM**

**12" - TRIPLE S&F HEADWALL F/F**

**PG. 3 OF 3**

ITEM #	LENGTH	SIZE	QTY
A	28"	#4	10
B	4"	#4	3
C	8"	#4	5
D	86"	#4	4
E	7"	#4	2
F	12"	#4	2
G	18"	#4	12
H	13"	#4	2
I	19"	#4	2
J	25"	#4	2
K	45"	#4	2
L	40"	#4	4
M	22"	#4	2
N	5"	#4	2
O	106"	#4	1
P	101"	#4	1
Q	95"	#4	1
R	90"	#4	1
S	84"	#4	1
T	21"	#4	2
U	44"	#4	7

4 EA. 5CA14 CONAC  
A-ANCHORS FOR  
PLANT & FIELD  
HANDLING

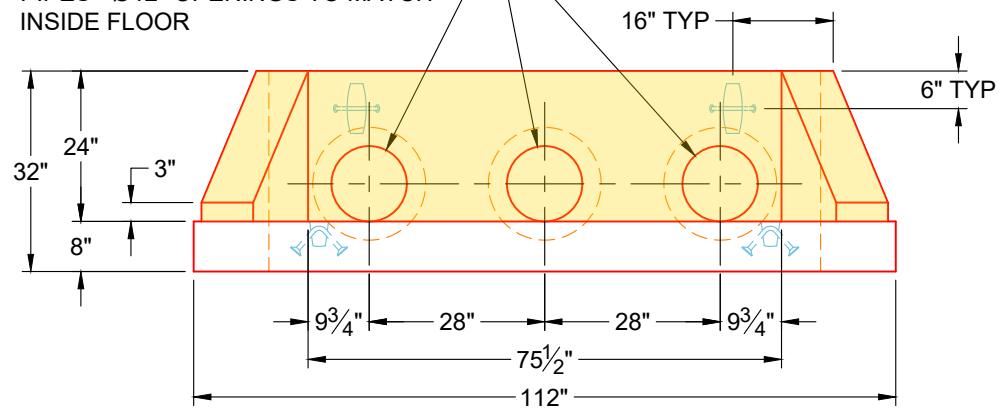


**TOP VIEW  
(RIGHT SIDE UP)**

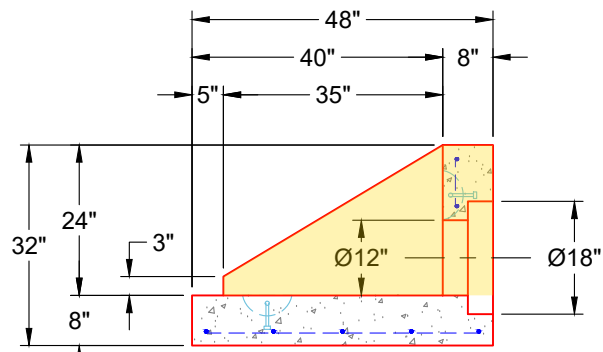
**GENERAL NOTES:**

1. CONCRETE: 4,500 PSI AT 28 DAYS
2. REINFORCEMENT: #4 BAR @ 12" C.C. E.W. (GRADE 60) - 2" MIN. REBAR CLEARANCE (TYP)
3. REINFORCING BARS TO BE TACK WELDED OR TIED
4. 3/4" CHAMFER REQUIRED ON ALL EXPOSED EDGES
5. PIPE & LIFTING ANCHOR POCKETS TO BE GROUTED BY CONTRACTOR
6. TOTAL WEIGHT: 5,098 LBS  
- FIRST POUR: 3,222 LBS  
- SECOND POUR: 1,876 LBS
7. EACH STRUCTURE WILL REQUIRE BASE POUR (FIRST POUR) & THEN WALL POUR (SECOND POUR)

3 EA. Ø18" OPENINGS STEPPED DOWN  
TO Ø12" OPENINGS FOR TRIPLE 12"  
PIPES - Ø12" OPENINGS TO MATCH  
INSIDE FLOOR



**FRONT VIEW  
(RIGHT SIDE UP)**



**SECTION B-B  
(RIGHT SIDE UP)**

**P1 HWTPLCUSTOM**

**12" - TRIPLE S&F HEADWALL F/F**

Job Name: 25-4255 - Dawson Springs City Park Ph 2  
Job Location: Dawson Springs, KY  
Contractor: J & J Excavating

Plant: Beaver Dam, KY  
4/10/2026 10:17:06 AM

Tech: J. Coppage  
P.C.: E. Bradley



**Structure ID: 5-54255 (2)**

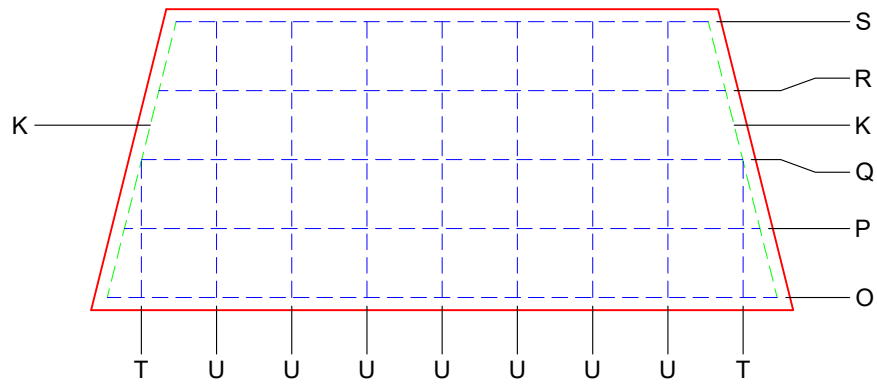
**P1 HWTPLCUSTOM**

**12" - TRIPLE S&F HEADWALL F/F**

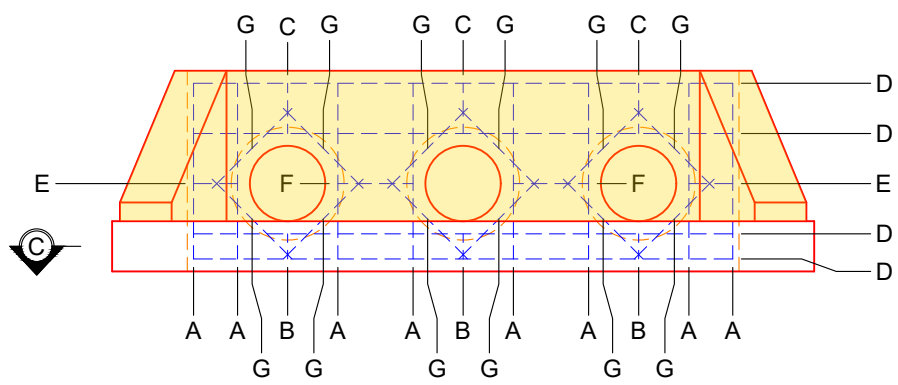


**GENERAL NOTES:**

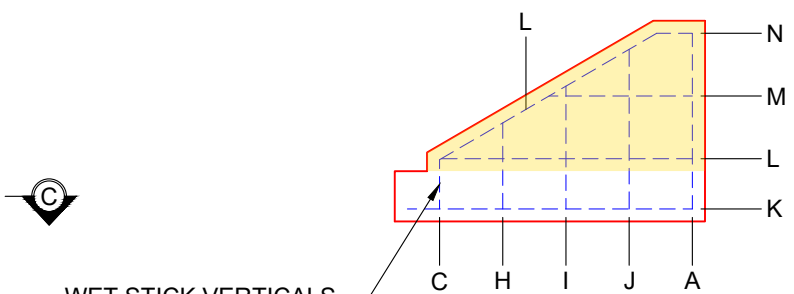
1. CONCRETE: 4,500 PSI AT 28 DAYS
2. REINFORCEMENT: #4 BAR @ 12" C.C. E.W. (GRADE 60) - 2" MIN. REBAR CLEARANCE (TYP)
3. REINFORCING BARS TO BE TACK WELDED OR TIED
4. 3/4" CHAMFER REQUIRED ON ALL EXPOSED EDGES
5. PIPE & LIFTING ANCHOR POCKETS TO BE GROUTED BY CONTRACTOR
6. TOTAL WEIGHT: 5,098 LBS  
 - FIRST POUR: 3,222 LBS  
 - SECOND POUR: 1,876 LBS
7. EACH STRUCTURE WILL REQUIRE BASE POUR (FIRST POUR) & THEN WALL POUR (SECOND POUR)



**SECTION C-C  
(RIGHT SIDE UP)**



**FRONT VIEW  
(RIGHT SIDE UP)**



WET STICK VERTICALS FOR SECONDARY POUR

**SECTION A-A  
(RIGHT SIDE UP)**

Job Name: 25-4255 - Dawson Springs City Park Ph 2  
Job Location: Dawson Springs, KY  
Contractor: J & J Excavating

Plant: Beaver Dam, KY  
4/10/2026 10:17:06 AM

Tech: J. Coppage  
PC: E. Bradley



**Structure ID: 5-54255 (2)**

**P1 HWTPLCUSTOM**

**12" - TRIPLE S&F HEADWALL F/F**

**PG. 3 OF 3**

ITEM #	LENGTH	SIZE	QTY
A	28"	#4	10
B	4"	#4	3
C	8"	#4	5
D	86"	#4	4
E	7"	#4	2
F	12"	#4	2
G	18"	#4	12
H	13"	#4	2
I	19"	#4	2
J	25"	#4	2
K	45"	#4	2
L	40"	#4	4
M	22"	#4	2
N	5"	#4	2
O	106"	#4	1
P	101"	#4	1
Q	95"	#4	1
R	90"	#4	1
S	84"	#4	1
T	21"	#4	2
U	44"	#4	7