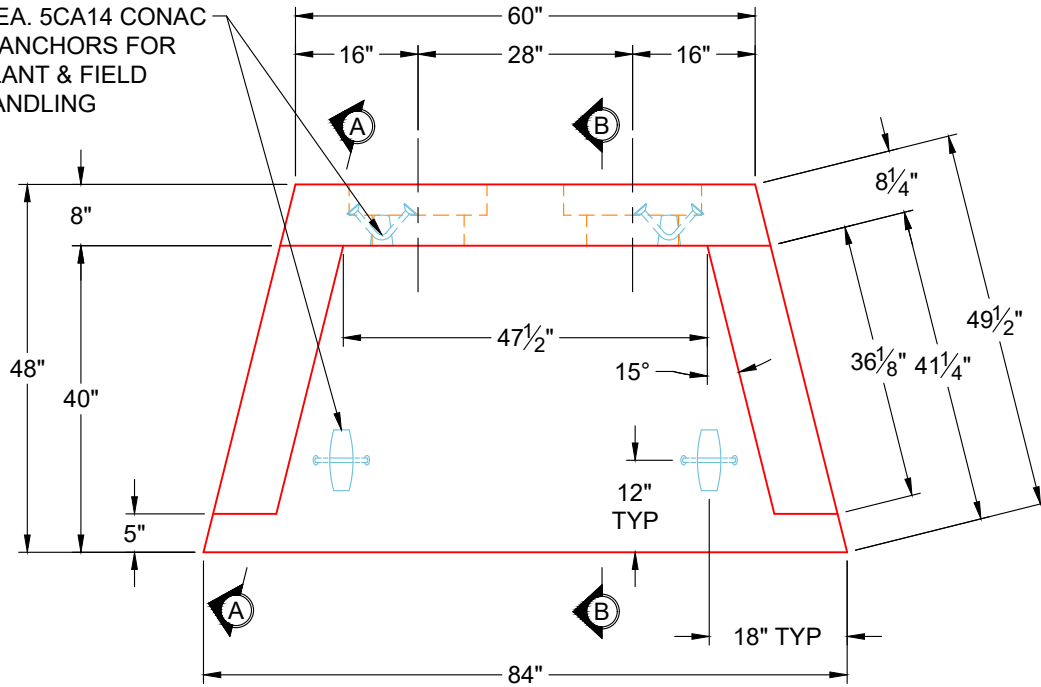
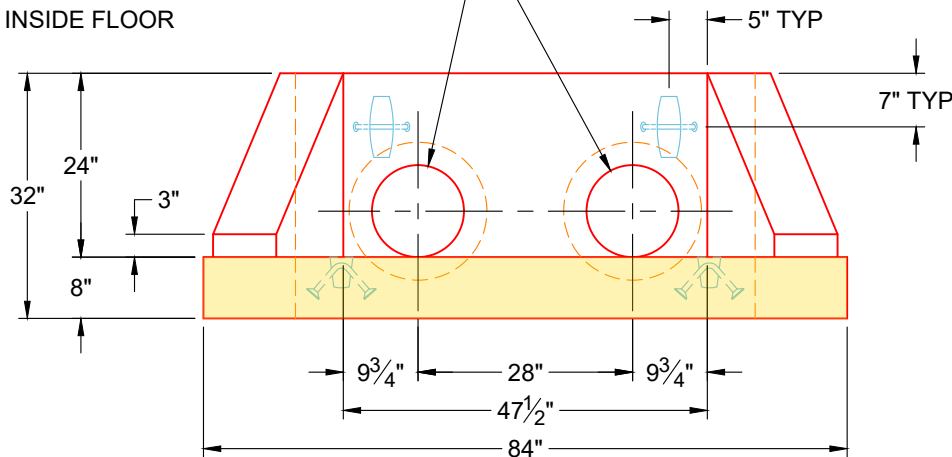


4 EA. 5CA14 CONAC
A-ANCHORS FOR
PLANT & FIELD
HANDLING

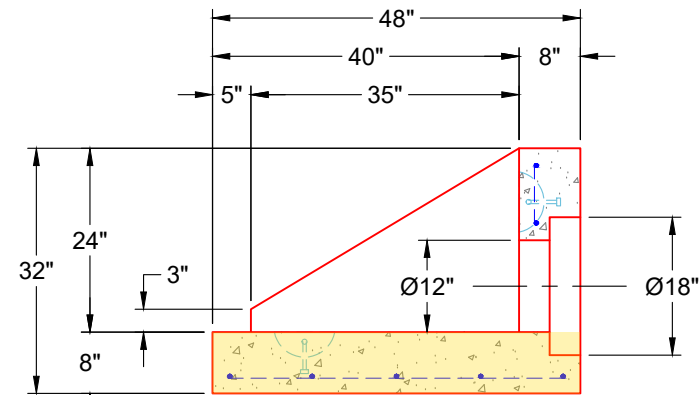


TOP VIEW
(RIGHT SIDE UP)

2 EA. Ø18" OPENINGS STEPPED DOWN
TO Ø12" OPENINGS FOR DOUBLE 12"
PIPES - Ø12" OPENINGS TO MATCH
INSIDE FLOOR



FRONT VIEW
(RIGHT SIDE UP)



SECTION B-B
(RIGHT SIDE UP)

GENERAL NOTES:

1. CONCRETE: 4,500 PSI AT 28 DAYS
2. REINFORCEMENT: #4 BAR @ 12" C.C. E.W.
(GRADE 60) - 2" MIN. REBAR CLEARANCE (TYP)
3. REINFORCING BARS TO BE TACK WELDED OR
TIED
4. 3/4" CHAMFER REQUIRED ON ALL EXPOSED
EDGES
5. PIPE & LIFTING ANCHOR POCKETS TO BE
GROUTED BY CONTRACTOR
6. TOTAL WEIGHT: 3,820 LBS
- FIRST POUR: 2,320 LBS
- SECOND POUR: 1,500 LBS
7. EACH STRUCTURE WILL REQUIRE BASE POUR
(FIRST POUR) & THEN WALL POUR (SECOND
POUR)



Structure ID: 18-54255 (2)

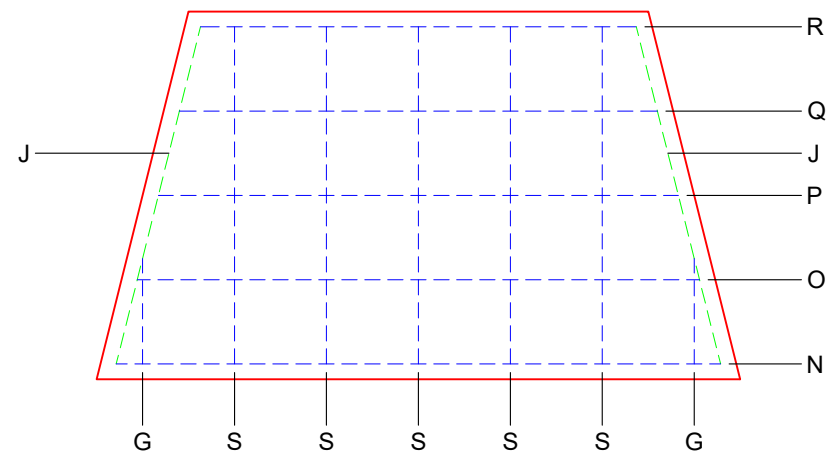
P1 HWDBLCUSTOM

12" - DBL S&F HEADWALL F/F

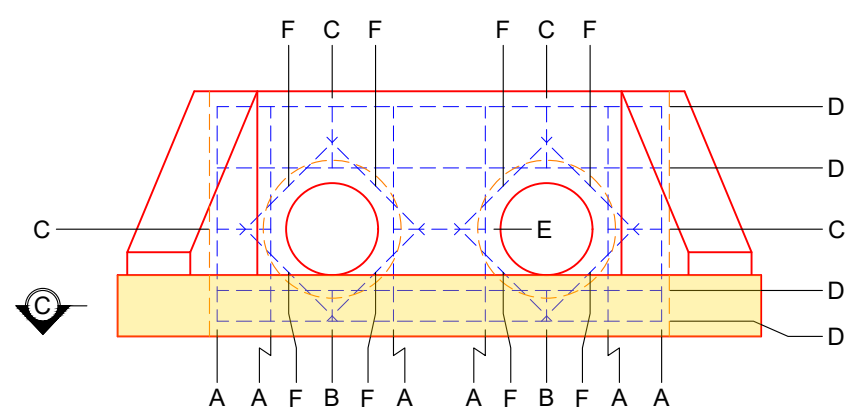


GENERAL NOTES:

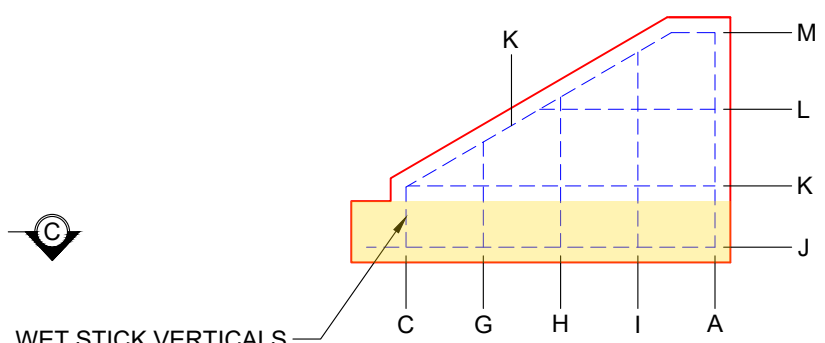
1. CONCRETE: 4,500 PSI AT 28 DAYS
2. REINFORCEMENT: #4 BAR @ 12" C.C. E.W. (GRADE 60) - 2" MIN. REBAR CLEARANCE (TYP)
3. REINFORCING BARS TO BE TACK WELDED OR TIED
4. 3/4" CHAMFER REQUIRED ON ALL EXPOSED EDGES
5. PIPE & LIFTING ANCHOR POCKETS TO BE GROUDED BY CONTRACTOR
6. TOTAL WEIGHT: 3,820 LBS
 - FIRST POUR: 2,320 LBS
 - SECOND POUR: 1,500 LBS
7. EACH STRUCTURE WILL REQUIRE BASE POUR (FIRST POUR) & THEN WALL POUR (SECOND POUR)



**SECTION C-C
(RIGHT SIDE UP)**



**FRONT VIEW
(RIGHT SIDE UP)**



**SECTION A-A
(RIGHT SIDE UP)**

Job Name: 25-4255 - Dawson Springs City Park Ph 2
Job Location: Dawson Springs, KY
Contractor: J & J Excavating

Plant: Beaver Dam, KY
4/10/2026 10:17:06 AM

Tech: J. Coppage
PC: E. Bradley



Structure ID: 18-54255 (2)

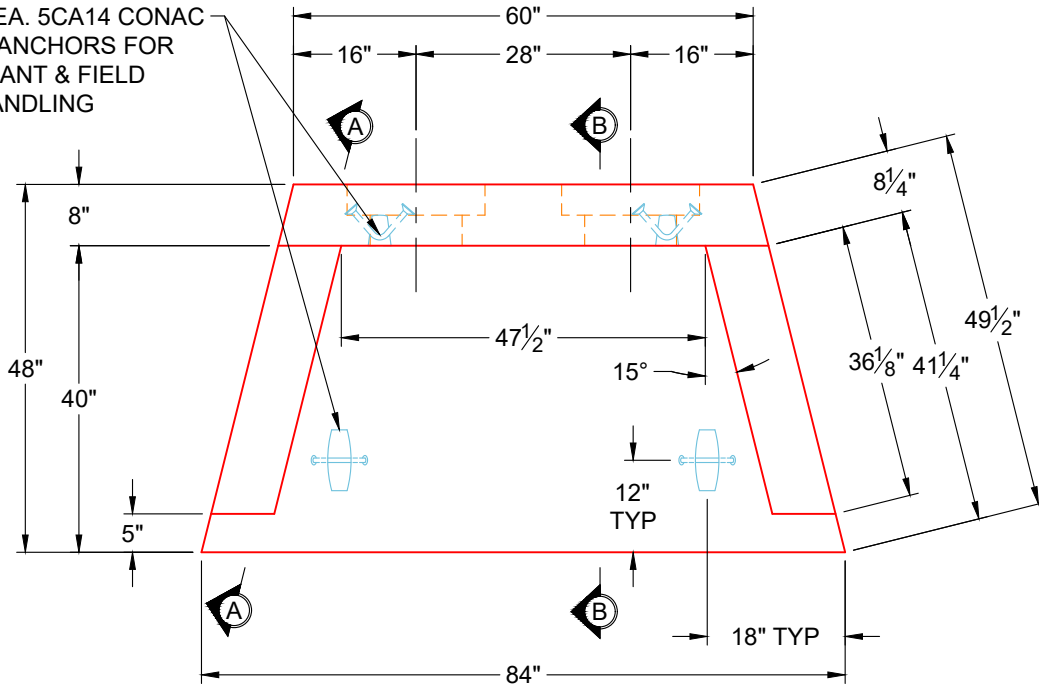
P1 HWDBLCUSTOM

12" - DBL S&F HEADWALL F/F

PG. 3 OF 3

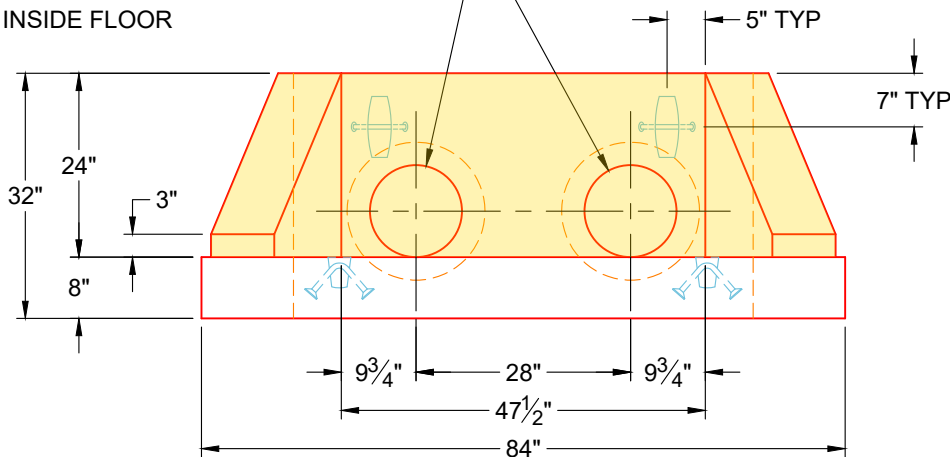
ITEM #	LENGTH	SIZE	QTY
A	28"	#4	8
B	4"	#4	2
C	8"	#4	6
D	58"	#4	4
E	12"	#4	1
F	18"	#4	8
G	13"	#4	4
H	19"	#4	2
I	25"	#4	2
J	45"	#4	4
K	40"	#4	4
L	22"	#4	2
M	5"	#4	2
N	78"	#4	1
O	73"	#4	1
P	67"	#4	1
Q	62"	#4	1
R	56"	#4	1
S	44"	#4	5

4 EA. 5CA14 CONAC
A-ANCHORS FOR
PLANT & FIELD
HANDLING

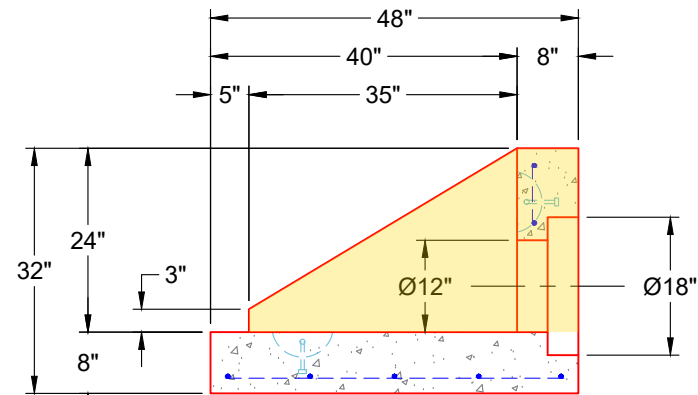


**TOP VIEW
(RIGHT SIDE UP)**

2 EA. Ø18" OPENINGS STEPPED DOWN
TO Ø12" OPENINGS FOR DOUBLE 12"
PIPES - Ø12" OPENINGS TO MATCH
INSIDE FLOOR



**FRONT VIEW
(RIGHT SIDE UP)**



**SECTION B-B
(RIGHT SIDE UP)**

GENERAL NOTES:

1. CONCRETE: 4,500 PSI AT 28 DAYS
2. REINFORCEMENT: #4 BAR @ 12" C.C. E.W.
(GRADE 60) - 2" MIN. REBAR CLEARANCE (TYP)
3. REINFORCING BARS TO BE TACK WELDED OR
TIED
4. 3/4" CHAMFER REQUIRED ON ALL EXPOSED
EDGES
5. PIPE & LIFTING ANCHOR POCKETS TO BE
GROUTED BY CONTRACTOR
6. TOTAL WEIGHT: 3,820 LBS
- FIRST POUR: 2,320 LBS
- SECOND POUR: 1,500 LBS
7. EACH STRUCTURE WILL REQUIRE BASE POUR
(FIRST POUR) & THEN WALL POUR (SECOND
POUR)



Structure ID: 18-54255 (2)

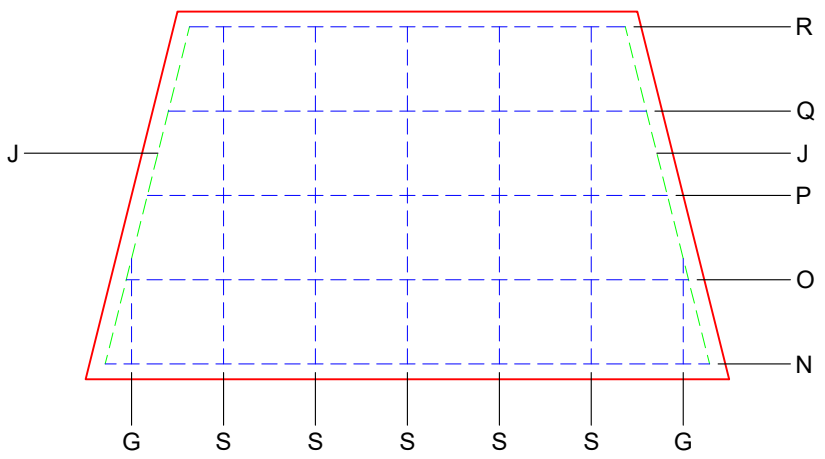
P1 HWDBLCUSTOM

12" - DBL S&F HEADWALL F/F

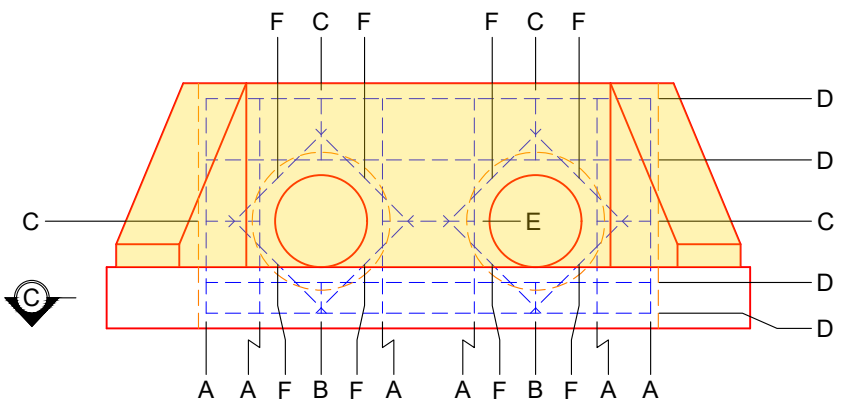


GENERAL NOTES:

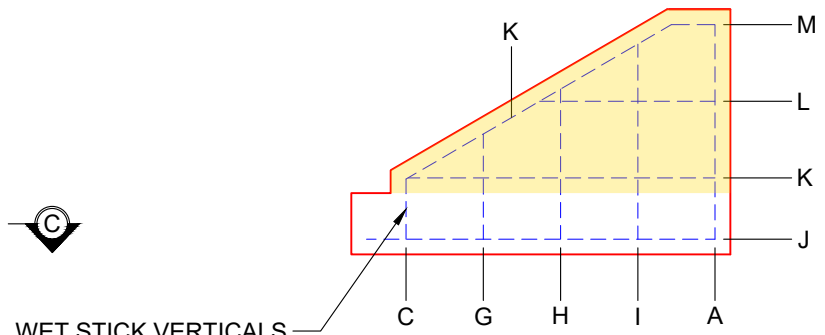
1. CONCRETE: 4,500 PSI AT 28 DAYS
2. REINFORCEMENT: #4 BAR @ 12" C.C. E.W. (GRADE 60) - 2" MIN. REBAR CLEARANCE (TYP)
3. REINFORCING BARS TO BE TACK WELDED OR TIED
4. 3/4" CHAMFER REQUIRED ON ALL EXPOSED EDGES
5. PIPE & LIFTING ANCHOR POCKETS TO BE GROUDED BY CONTRACTOR
6. TOTAL WEIGHT: 3,820 LBS
 - FIRST POUR: 2,320 LBS
 - SECOND POUR: 1,500 LBS
7. EACH STRUCTURE WILL REQUIRE BASE POUR (FIRST POUR) & THEN WALL POUR (SECOND POUR)



**SECTION C-C
(RIGHT SIDE UP)**



**FRONT VIEW
(RIGHT SIDE UP)**



WET STICK VERTICALS FOR SECONDARY POUR

**SECTION A-A
(RIGHT SIDE UP)**

Job Name: 25-4255 - Dawson Springs City Park Ph 2
Job Location: Dawson Springs, KY
Contractor: J & J Excavating

Plant: Beaver Dam, KY
4/10/2026 10:17:06 AM

Tech: J. Coppage
PC: E. Bradley



Structure ID: 18-54255 (2)

P1 HWDBLCUSTOM

12" - DBL S&F HEADWALL F/F

PG. 3 OF 3

ITEM #	LENGTH	SIZE	QTY
A	28"	#4	8
B	4"	#4	2
C	8"	#4	6
D	58"	#4	4
E	12"	#4	1
F	18"	#4	8
G	13"	#4	4
H	19"	#4	2
I	25"	#4	2
J	45"	#4	4
K	40"	#4	4
L	22"	#4	2
M	5"	#4	2
N	78"	#4	1
O	73"	#4	1
P	67"	#4	1
Q	62"	#4	1
R	56"	#4	1
S	44"	#4	5