



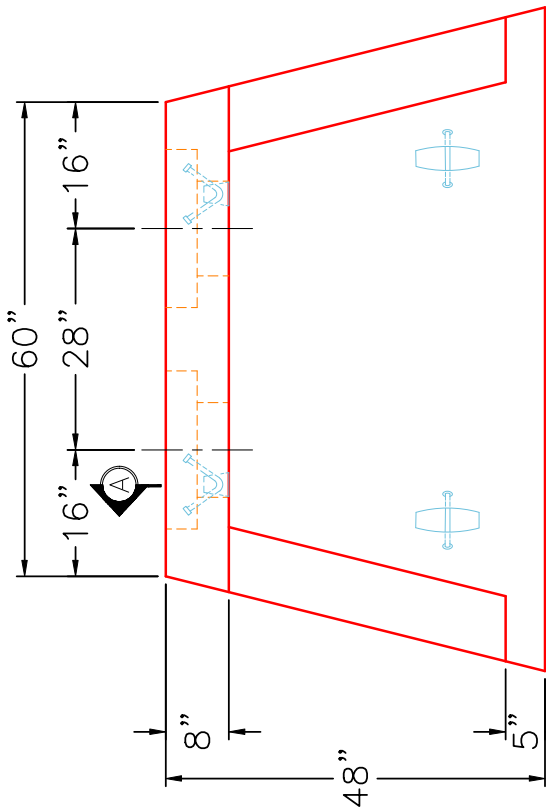
Structure ID: 18-54255 (1)

P1 HWDBLCUSTOM

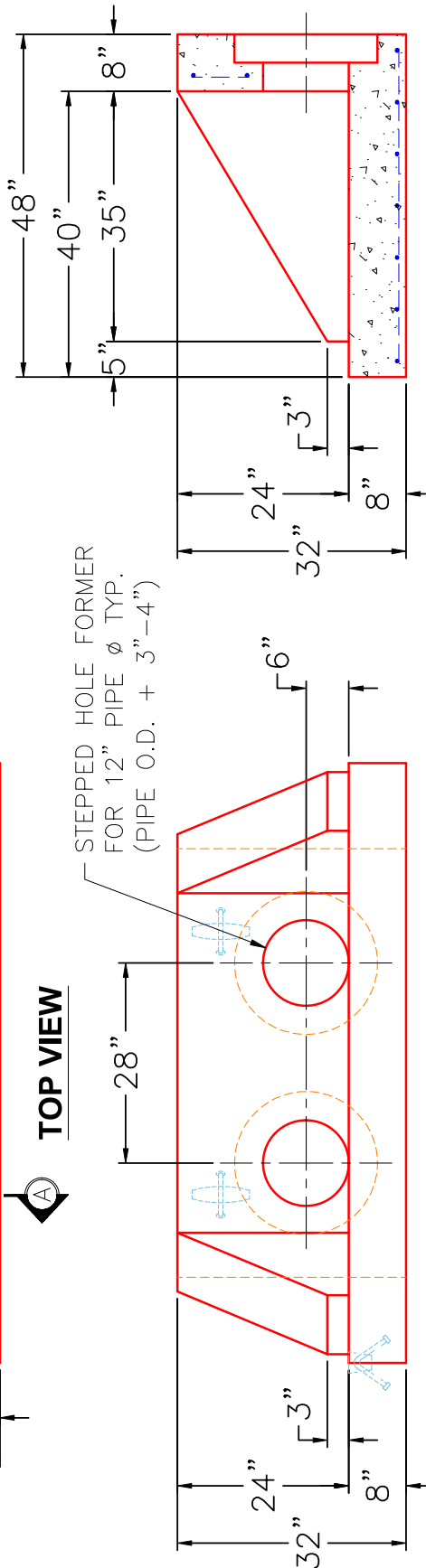
12" - DBL S&F HEADWALL F/F

GENERAL NOTES:

1. THE FOLLOWING STANDARD SPECIFICATIONS APPLY:
 - REINFORCING-811.02, STRUCTURE-710.03.01
 - TACK WELDING-605.03.04
2. MINIMUM 2" CONCRETE COVER ON REBAR.
3. CONCRETE-4500 PSI @ 28 DAYS.
WITH AIR ENTRAINMENT.
4. ALL PICK UP POINTS GROUDED BY CONTRACTOR.
WITH STACK APPROVED NON-SHRINK GROUT.
5. REINFORCING: #5 @ 12" C/C E.W. TYPICAL.
6. WEIGHT: 3,280 LBS.
7. STRUCTURE ID IS PIPE INVERT ELEVATION.



TOP VIEW



FRONT VIEW

SECTION A-A

REVISION INFORMATION		SUBMITTAL DRAWING: 12" DOUBLE S&F HEADWALL	
REV. DATE:	NO REVISIONS TO DATE	CUSTOMER: J&J EXCAVATING	
		PROJECT: DAWSON SPRINGS CITY PARK PH 2	
		STRUCTURE: 18-54255 (1)	
		QUOTE/SALES ORDER NO: 25-4255	
		PC: E. BRADLEY	DRAWN BY: J. COPPAGE
		DATE: 11/12/25	SCALE: NTS PG. 1 of 1

