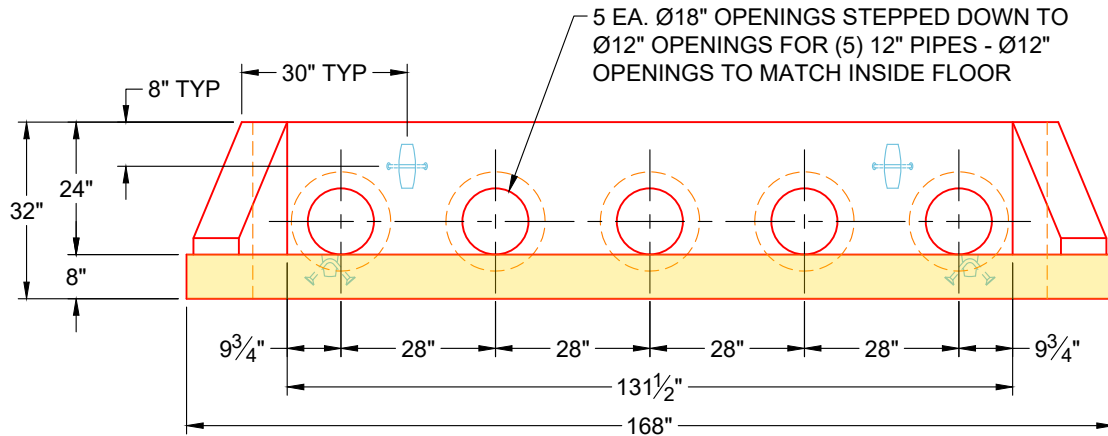
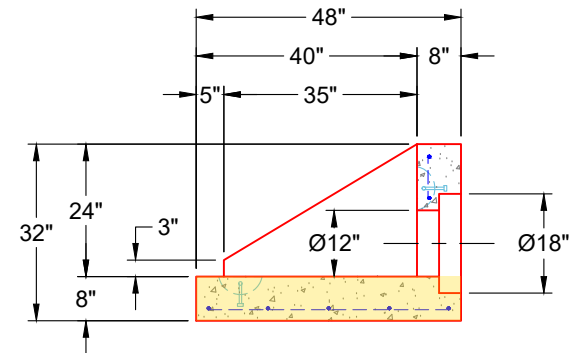


**TOP VIEW
(RIGHT SIDE UP)**



**FRONT VIEW
(RIGHT SIDE UP)**



**SECTION B-B
(RIGHT SIDE UP)**

GENERAL NOTES:

1. CONCRETE: 4,500 PSI AT 28 DAYS
2. REINFORCEMENT: #4 BAR @ 12" C.C. E.W. (GRADE 60) - 2" MIN. REBAR CLEARANCE (TYP)
3. REINFORCING BARS TO BE TACK WELDED OR TIED
4. 3/4" CHAMFER REQUIRED ON ALL EXPOSED EDGES
5. PIPE & LIFTING ANCHOR POCKETS TO BE GROUTED BY CONTRACTOR
6. TOTAL WEIGHT: 7,654 LBS
 - FIRST POUR: 5,027 LBS
 - SECOND POUR: 2,627 LBS
7. EACH STRUCTURE WILL REQUIRE BASE POUR (FIRST POUR) & THEN WALL POUR (SECOND POUR)

Structure ID: 17-54255 (2)

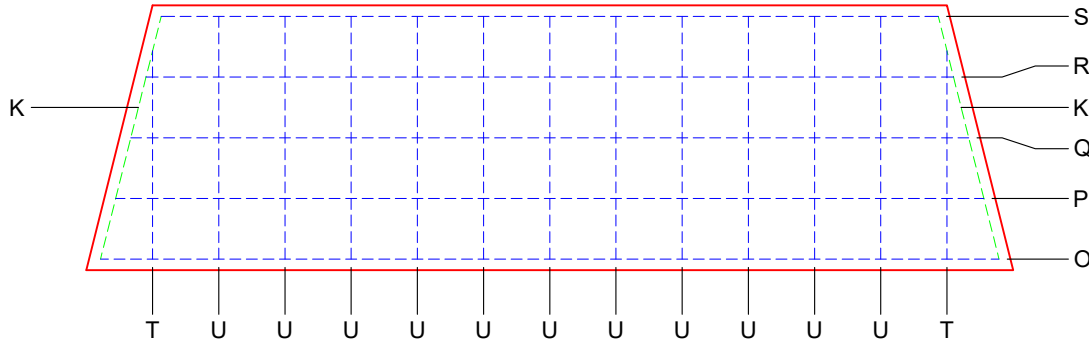
12" - CUSTOM S&F HEADWALL (5X 12" PIPES) F/F

Job Name: 25-4255 - Dawson Springs City Park Ph 2
 Job Location: Dawson Springs, KY
 Contractor: J & J Excavating

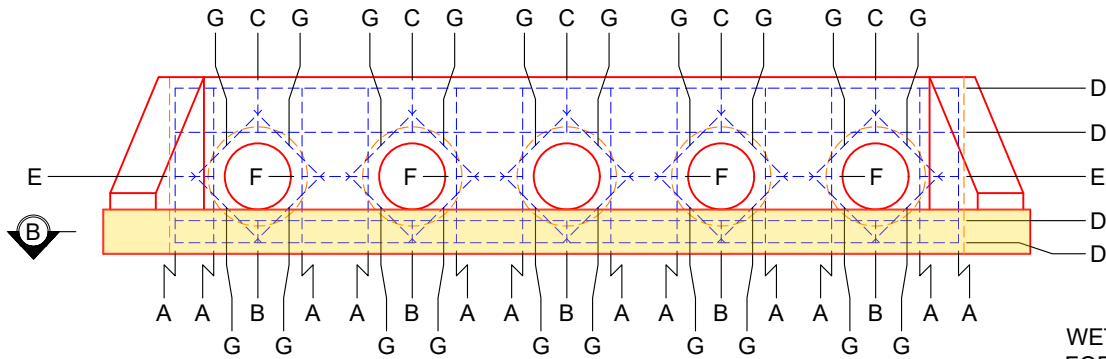
Plant: Beaver Dam, KY
 4/10/2026 10:17:06 AM

Tech: J. Coppage
 P.C.: E. Bradley

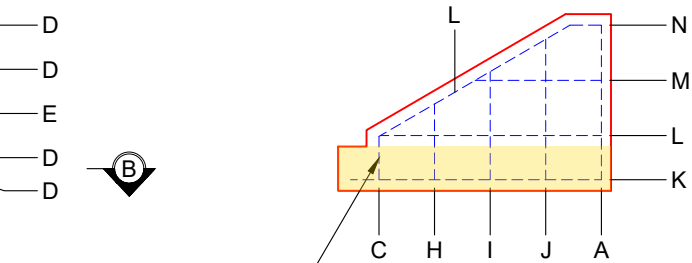




**SECTION B-B
(RIGHT SIDE UP)**



**FRONT VIEW
(RIGHT SIDE UP)**



WET STICK VERTICALS
FOR SECONDARY POUR

**SECTION A-A
(RIGHT SIDE UP)**

GENERAL NOTES:

1. CONCRETE: 4,500 PSI AT 28 DAYS
2. REINFORCEMENT: #4 BAR @ 12" C.C. E.W. (GRADE 60) - 2" MIN. REBAR CLEARANCE (TYP)
3. REINFORCING BARS TO BE TACK WELDED OR TIED
4. 3/4" CHAMFER REQUIRED ON ALL EXPOSED EDGES
5. PIPE & LIFTING ANCHOR POCKETS TO BE GROUTED BY CONTRACTOR
6. TOTAL WEIGHT: 7,654 LBS
 - FIRST POUR: 5,027 LBS
 - SECOND POUR: 2,627 LBS
7. EACH STRUCTURE WILL REQUIRE BASE POUR (FIRST POUR) & THEN WALL POUR (SECOND POUR)

P1 HWCUSTOM
Structure ID: 17-54255 (2)

12" - CUSTOM S&F HEADWALL (5X 12" PIPES) F/F

Job Name: 25-4255 - Dawson Springs City Park Ph 2
 Job Location: Dawson Springs, KY
 Contractor: J & J Excavating

Plant: Beaver Dam, KY
 4/10/2026 10:17:06 AM

Tech: J. Coppage
 PC: E. Bradley



Job Name: 25-4255 - Dawson Springs City Park Ph 2
Job Location: Dawson Springs, KY
Contractor: J & J Excavating

Plant: Beaver Dam, KY
4/10/2026 10:17:06 AM

Tech: J. Coppage
PC: E. Bradley



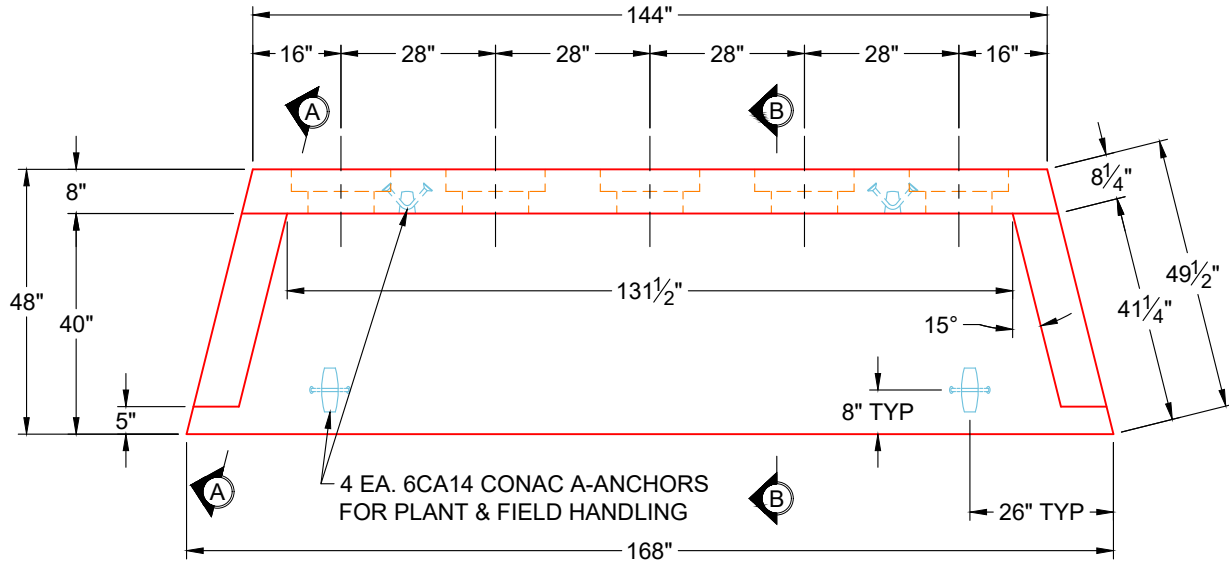
Structure ID: 17-54255 (2)

P1 HWCUSTOM

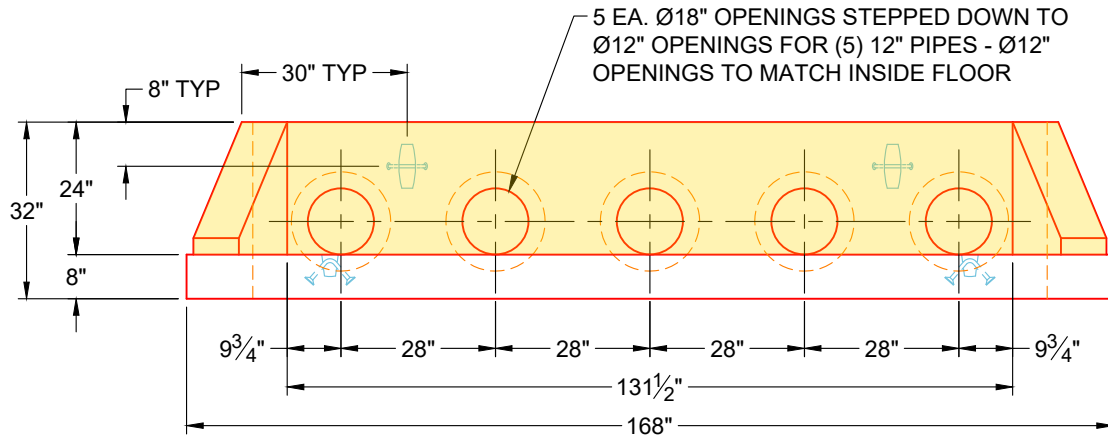
12" - CUSTOM S&F HEADWALL (5X 12" PIPES) F/F

PG. 3 OF 3

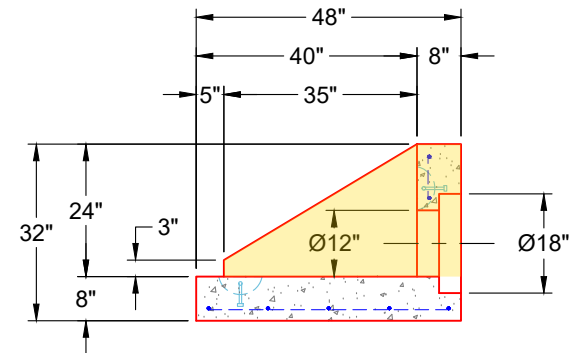
ITEM #	LENGTH	SIZE	QTY
A	28"	#4	14
B	4"	#4	5
C	8"	#4	7
D	142"	#4	4
E	7"	#4	2
F	12"	#4	4
G	18"	#4	20
H	13"	#4	2
I	19"	#4	2
J	25"	#4	2
K	45"	#4	2
L	40"	#4	4
M	22"	#4	2
N	5"	#4	2
O	162"	#4	1
P	157"	#4	1
Q	151"	#4	1
R	146"	#4	1
S	140"	#4	1
T	37"	#4	2
U	44"	#4	11



**TOP VIEW
(RIGHT SIDE UP)**



**FRONT VIEW
(RIGHT SIDE UP)**



**SECTION B-B
(RIGHT SIDE UP)**

GENERAL NOTES:

1. CONCRETE: 4,500 PSI AT 28 DAYS
2. REINFORCEMENT: #4 BAR @ 12" C.C. E.W. (GRADE 60) - 2" MIN. REBAR CLEARANCE (TYP)
3. REINFORCING BARS TO BE TACK WELDED OR TIED
4. 3/4" CHAMFER REQUIRED ON ALL EXPOSED EDGES
5. PIPE & LIFTING ANCHOR POCKETS TO BE GROUTED BY CONTRACTOR
6. TOTAL WEIGHT: 7,654 LBS
- FIRST POUR: 5,027 LBS
- SECOND POUR: 2,627 LBS
7. EACH STRUCTURE WILL REQUIRE BASE POUR (FIRST POUR) & THEN WALL POUR (SECOND POUR)

Structure ID: 17-54255 (2)

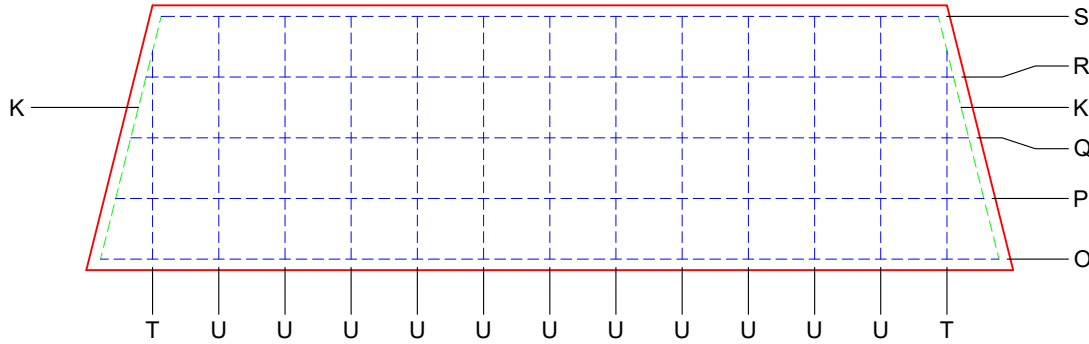
12" - CUSTOM S&F HEADWALL (5X 12" PIPES) F/F

Job Name: 25-4255 - Dawson Springs City Park Ph 2
Job Location: Dawson Springs, KY
Contractor: J & J Excavating

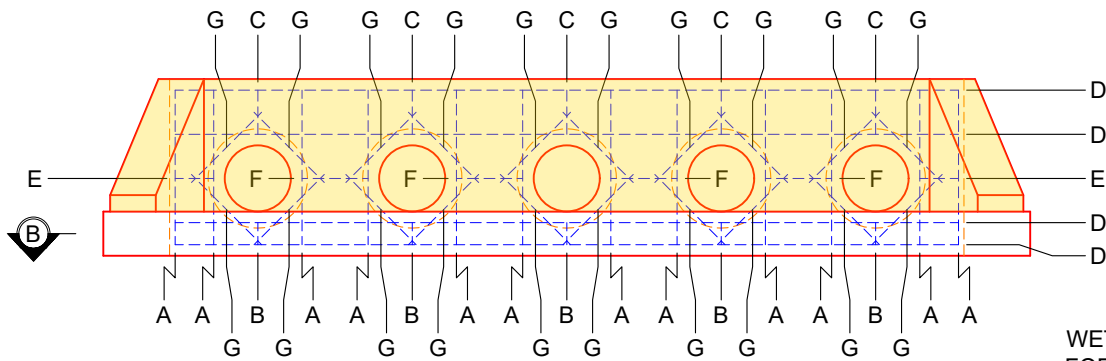
Plant: Beaver Dam, KY
4/10/2026 10:17:06 AM

Tech: J. Coppage
P.C.: E. Bradley

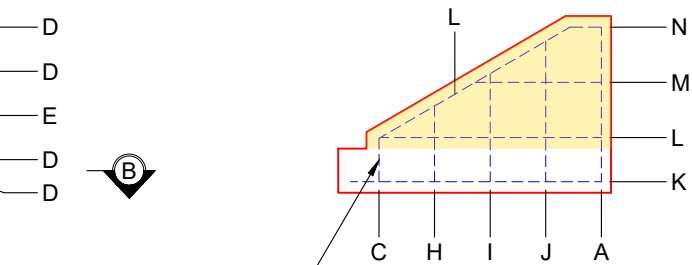




**SECTION B-B
(RIGHT SIDE UP)**



**FRONT VIEW
(RIGHT SIDE UP)**



WET STICK VERTICALS
FOR SECONDARY POUR

**SECTION A-A
(RIGHT SIDE UP)**

GENERAL NOTES:

1. CONCRETE: 4,500 PSI AT 28 DAYS
2. REINFORCEMENT: #4 BAR @ 12" C.C. E.W. (GRADE 60) - 2" MIN. REBAR CLEARANCE (TYP)
3. REINFORCING BARS TO BE TACK WELDED OR TIED
4. 3/4" CHAMFER REQUIRED ON ALL EXPOSED EDGES
5. PIPE & LIFTING ANCHOR POCKETS TO BE GROUTED BY CONTRACTOR
6. TOTAL WEIGHT: 7,654 LBS
- FIRST POUR: 5,027 LBS
- SECOND POUR: 2,627 LBS
7. EACH STRUCTURE WILL REQUIRE BASE POUR (FIRST POUR) & THEN WALL POUR (SECOND POUR)

P1 HWCUSTOM
Structure ID: 17-54255 (2)

12" - CUSTOM S&F HEADWALL (5X 12" PIPES) F/F

Job Name: 25-4255 - Dawson Springs City Park Ph 2
Job Location: Dawson Springs, KY
Contractor: J & J Excavating

Plant: Beaver Dam, KY
4/10/2026 10:17:06 AM

Tech: J. Coppage
P.C.: E. Bradley



Job Name: 25-4255 - Dawson Springs City Park Ph 2
Job Location: Dawson Springs, KY
Contractor: J & J Excavating

Plant: Beaver Dam, KY
4/10/2026 10:17:06 AM

Tech: J. Coppage
PC: E. Bradley



Structure ID: 17-54255 (2)

P1 HWCUSTOM

12" - CUSTOM S&F HEADWALL (5X 12" PIPES) F/F

PG. 3 OF 3

ITEM #	LENGTH	SIZE	QTY
A	28"	#4	14
B	4"	#4	5
C	8"	#4	7
D	142"	#4	4
E	7"	#4	2
F	12"	#4	4
G	18"	#4	20
H	13"	#4	2
I	19"	#4	2
J	25"	#4	2
K	45"	#4	2
L	40"	#4	4
M	22"	#4	2
N	5"	#4	2
O	162"	#4	1
P	157"	#4	1
Q	151"	#4	1
R	146"	#4	1
S	140"	#4	1
T	37"	#4	2
U	44"	#4	11