

Job Name: 25-4245 - KYTC Marion Co Call 104 (251015)
Job Location: Lebanon, KY
Contractor: Rame Contracting LLC

PC: Celina Goff
 TECH: J. Horsley - A
 Plant: 100



Structure ID: 9
 Spec: KYTC
 Type: CBI TYPE A (10')
 Size: 24" x 36"

Rim: 836.72'
 Invert: 831.63'
 Rim to Invert: 5.09'

Sump: 0"
 Floor (Top): 831.63'
 Floor Height: 8"

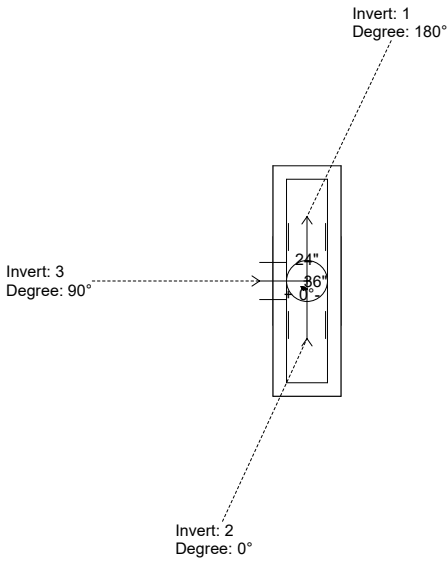
Floor (Bot): 830.963'
 Overall Height: 5.583'
 Slack: 2.08"

Structure Notes:

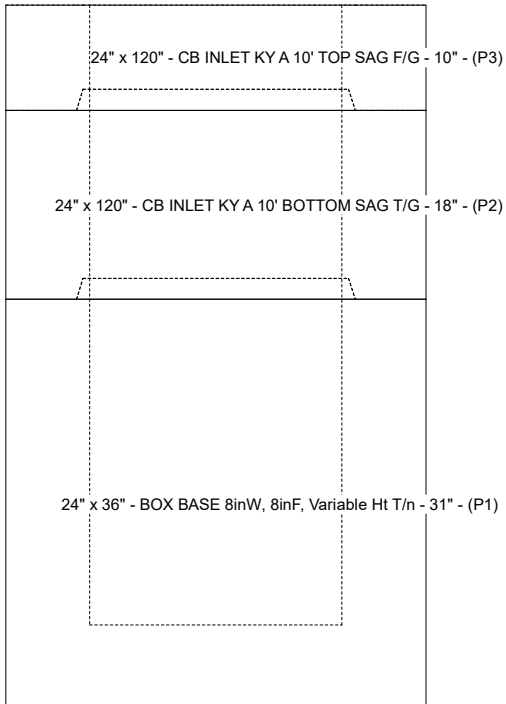
- ** KYTC STATE PROJECT **
- 1. HOE KY-206 FRAME & COVER (KY TY 1) PROVIDED BY ICAST
 - FRAME TO BE CAST INTO TOP PHASE TOP FLANGE SIDE UP
- 2. PER KYTC CBI TYPE A / ASTM C-913 SPECS
- 3. CONCRETE: 4,000 PSI AT 28 DAYS
- 4. REINFORCEMENT:
 - TOP PHASE TOP: #5 BAR @ 6" C.C. E.W. (GRADE 60)
 - TOP PHASE BOTTOM: #5 BAR @ 12" C.C. E.W. (GRADE 60)
 - PIPE CHAMBER: #5 BAR @ 12" C.C. E.W. (GRADE 60)
- 5. NO INVERT CHANNEL

STRUCTURE SUMMARY:

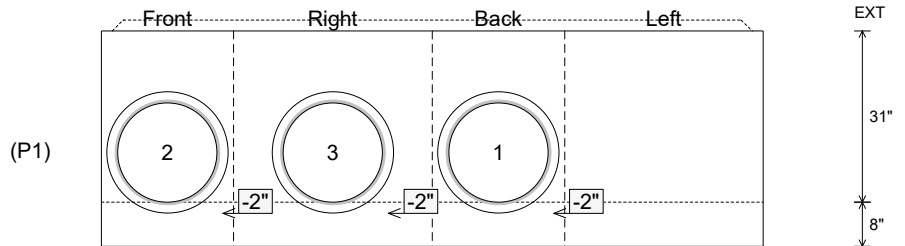
- P3) 24" x 120" - CB INLET KY A 10' TOP SAG F/G - 10" 3398 lb
- P2) 24" x 120" - CB INLET KY A 10' BOTTOM SAG T/G - 18" 5270 lb
- P1) 24" x 36" - BOX BASE 8inW, 8inF, Variable Ht T/n - 31" 3794 lb
- 1) CASTING - HOE KY-206 F/C (KY TY1) 206 lb
- 1) 24" x 36" - Conseal CS-102 1.00" 0 lb
- 3) Hole - 22" 0 lb
- Structure Total: 12668 lb**



Position	Elev	Angle	Pipe	Pipe OD	Hole	Connector	Up (L)	Ref
Rim	836.72'							
Reducer								
Invert 1	831.63'	180°	18" CMP	19"	22"	Hole 22	-2"	P1
Invert 2	831.63'	0°	18" CMP	19"	22"	Hole 22	-2"	P1
Invert 3	831.63'	90°	18" CMP	19"	22"	Hole 22	-2"	P1
Invert 4								
Invert 5								
Invert 6								
Invert 7								
Invert 8								



Cast (Int. Dim.) - Interior Dimensions



Submittal Drawing
 12/29/2025 11:42:40 AM

SUBMITTAL
 APPROVED BY: