

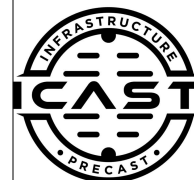
Job Name: 25-4245 - KYTC Marion Co Call 104 (251015)
 Job Location: Lebanon, KY
 Contractor: Rame Contracting LLC

Plant: 100

12/29/2025 11:54:47 AM

Tech: J. Horsley - A

PC: Celina Goff



Structure ID: 8

P2 BX036036-08TS024036

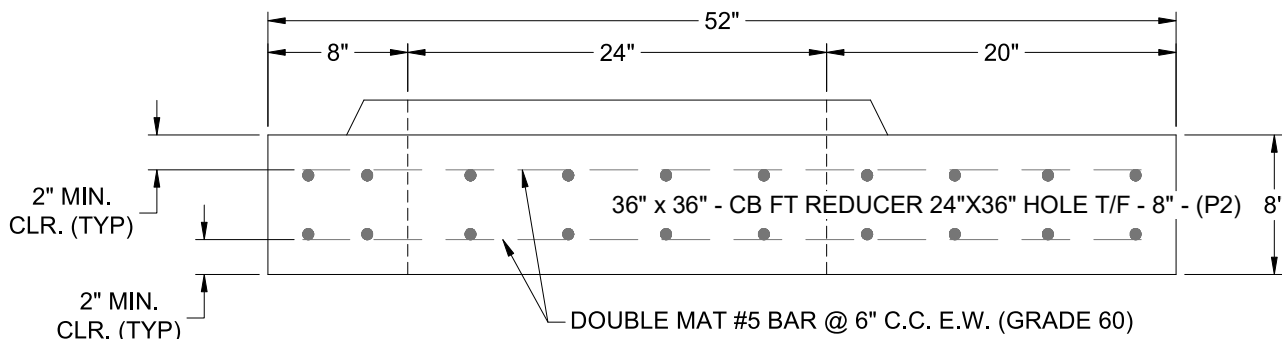
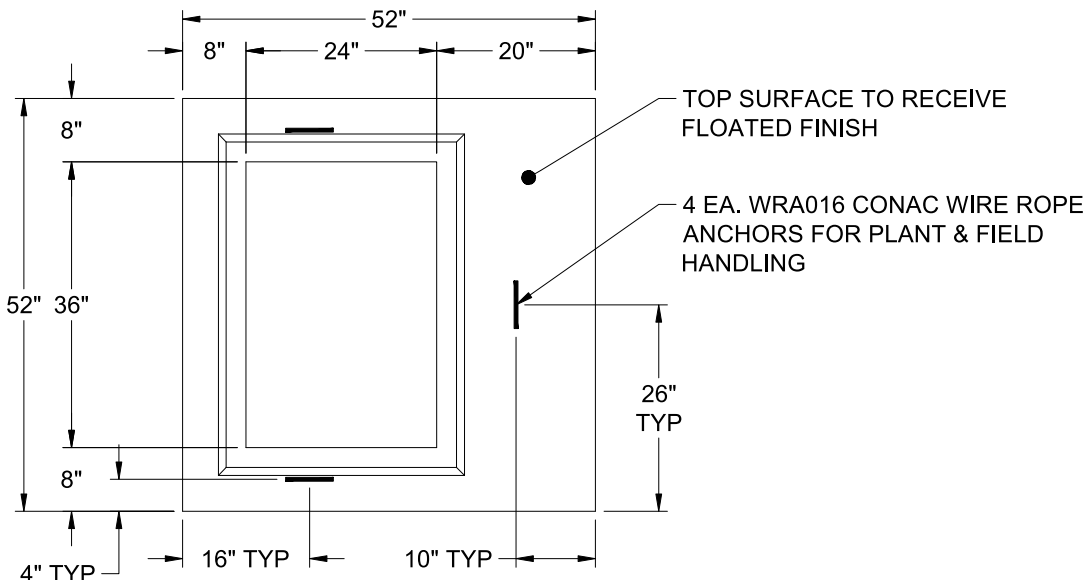
CB TRANSITION SLAB 24"X36" HOLE T/F

- P4) 24" x 120" - CB INLET KY A 10' TOP LEFT F/G - 10"
- P3) 24" x 120" - CB INLET KY A 10' BOTTOM LEFT T/G - 18"
- P2) 36" x 36" - CB FT REDUCER 24"X36" HOLE T/F - 8"
- P1) 36" x 36" - BOX BASE 8inW, 8inF, Variable Ht F/n - 32"
- 1) CASTING - HOE KY-206 F/C (KY TY1)
- 1) 36" x 36" - Conseal CS-102 1.00"
- 1) 24" x 36" - Conseal CS-102 1.00"
- 1) Hole - 28
- 1) Hole - 22
- 2) Hole - 6

- 3400 lb
- 5270 lb
- 1235 lb
- 4863 lb
- 206 lb
- 0 lb
- 0 lb
- 0 lb
- 0 lb
- 0 lb

Structure Total: 14974 lb

- Structure Notes:
 ** KYTC STATE PROJECT **
1. HOE KY-206 FRAME & COVER (KY TY 1) PROVIDED BY ICAST - FRAME TO BE CAST INTO TOP PHASE TOP FLANGE SIDE UP
 2. PER KYTC CBI TYPE A / ASTM C-913 SPECS
 3. CONCRETE: 4,000 PSI AT 28 DAYS
 4. REINFORCEMENT: DOUBLE MAT #5 BAR @ 6" C.C. E.W. (GRADE 60) - 2" MIN. REBAR CLEARANCE (TYP)
 5. NO INVERT CHANNEL
 6. LIFTERS: 4 EA. WRA016 CONAC WIRE ROPE ANCHORS FOR PLANT & FIELD HANDLING



Coating (Int):
 Coating (Ext):

Seam Up: Tongue
 Seam Dn: Flat

Wall Thickness: 8"

Height (Ext): 8"

Weight (Net): 1235 lb
 Volume (Net): 0.32cu.yd