

Job Name: 25-4245 - KYTC Marion Co Call 104 (251015)
Job Location: Lebanon, KY
Contractor: Rame Contracting LLC

PC: Celina Goff
 TECH: J. Horsley - A
 Plant: 100



Structure ID: 33
 Spec: KYTC
 Type: DBI TYPE 11
 Size: 24" x 30"

Rim: 817.75'
 Invert: 814.05'
 Rim to Invert: 3.7'

Sump: 0"
 Floor (Top): 814.05'
 Floor Height: 8"

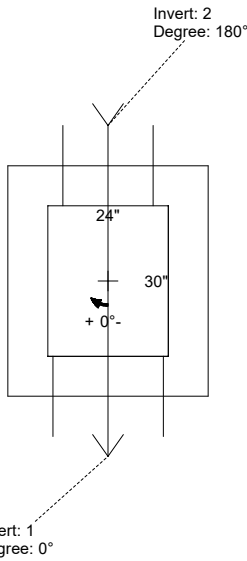
Floor (Bot): 813.383'
 Overall Height: 4.229'
 Slack: 1.65"

Structure Notes:

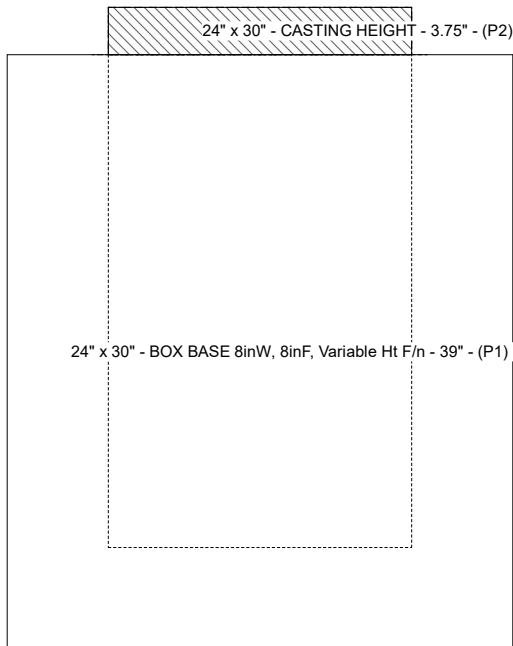
- ** KYTC STATE PROJECT **
1. HOE KY-460-11 FRAME & GRATE (DBI TY 11) PROVIDED BY ICAST
 2. PER KYTC DBI TYPE 11 / ASTM C-913 SPECS
 3. CONCRETE: 4,000 PSI AT 28 DAYS
 4. REINFORCEMENT: #5 BAR @ 12" C.C. E.W. (GRADE 60)
 5. NO INVERT CHANNEL

STRUCTURE SUMMARY:

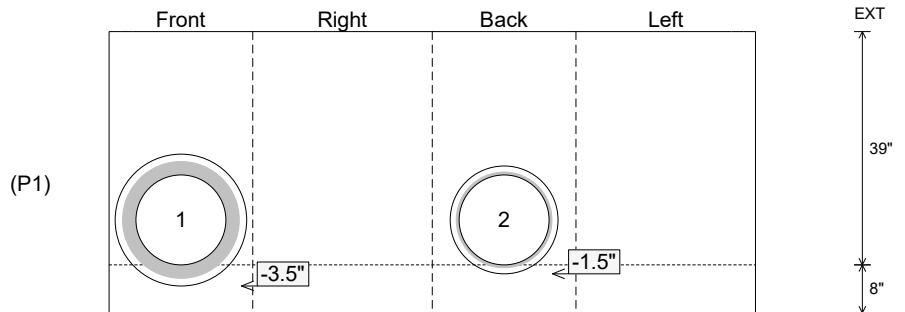
- P2) 24" x 30" - CASTING HEIGHT - 3.75"
 P1) 24" x 30" - BOX BASE 8inW, 8inF, Variable Ht F/n - 39"
- 1) CASTING - HOE KY-460-11 F/G (DBI 11)
 - 1) 24" x 30" - Conseal CS-102 1.00"
 - 1) Hole - 22
 - 1) Hole - 18
- 0 lb
 4474 lb
 421 lb
 0 lb
 0 lb
 0 lb
Structure Total: 4895 lb



Position	Elev	Angle	Pipe	Pipe OD	Hole	Connector	Up (")	Ref
Rim	817.75'							
Reducer								
Invert 1	814.05'	0°	15" RCP B WALL	19.5"	22"	Hole 22	-3.5"	P1
Invert 2	814.05'	180°	15" CMP	16"	18"	Hole 18	-1.5"	P1
Invert 3								
Invert 4								
Invert 5								
Invert 6								
Invert 7								
Invert 8								



Cast (Int. Dim.) - Interior Dimensions



Submittal Drawing
 12/29/2025 11:43:01 AM

SUBMITTAL
 APPROVED BY: