

Structure ID: 25

P1 BX2460-08BAVF

BOX BASE 8inW, 8inF, Variable Ht F/n

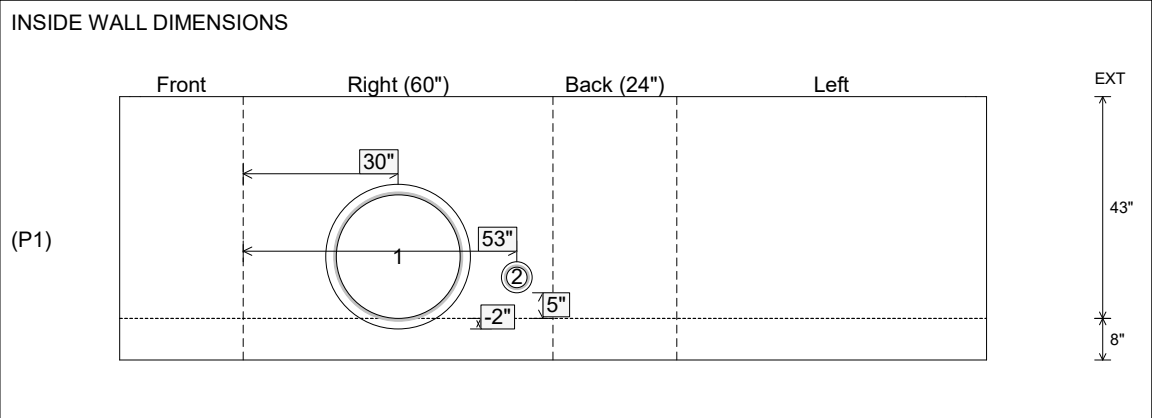
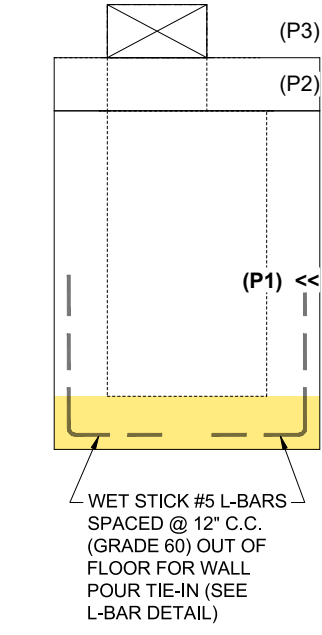
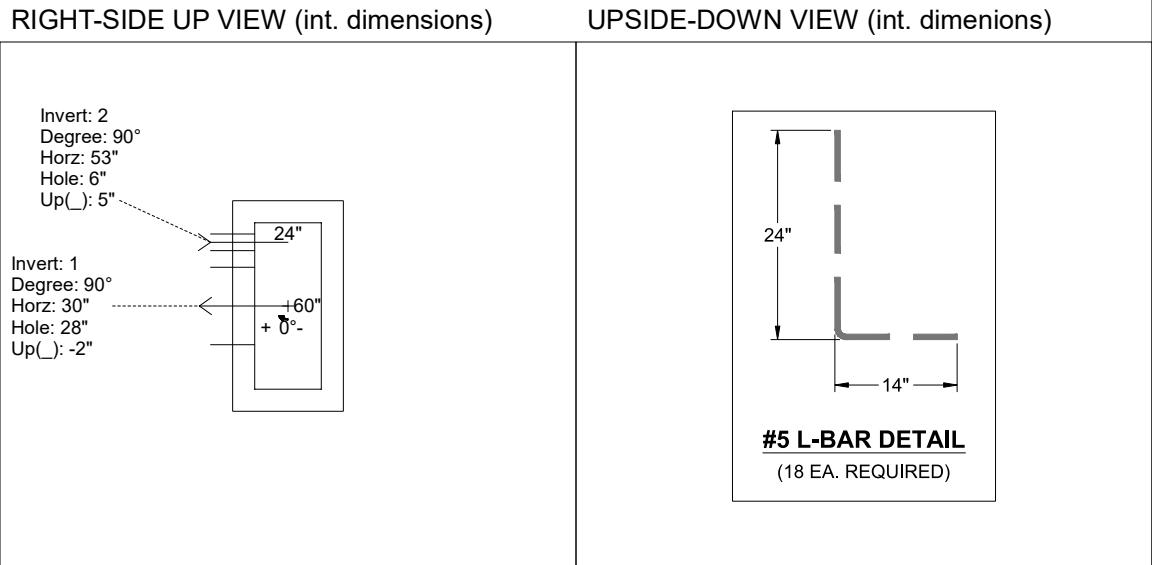
- | | | |
|---|--|---|
| P3) 15" x 59" - P.I.P. - BY OTHERS - 8"
P2) 24" x 60" - BX FLAT LID 8inW, w/15"x59" HOLE (KYTC DBI-13S) F/F - 8"
P1) 24" x 60" - BOX BASE 8inW, 8inF, Variable Ht F/n - 43"
1) CASTING - HOE KY-230-S F/G (SAG)
1) SECONDARY POUR
1) 24" x 60" - Conseal CS-102 1.00"
1) Hole - 28
1) Hole - 6 | 0 lb
1461 lb
7382 lb
474 lb
0 lb
0 lb
0 lb
0 lb

9317 lb | Structure Notes:
** KYTC STATE PROJECT **
1. HOE KY-230-S FRAME & GRATE (SAG) PROVIDED BY ICAST
2. KYTC DBI TYPE 13S / ASTM C-913 SPECS
3. CONCRETE: 4,000 PSI AT 28 DAYS
4. REINFORCEMENT: #5 BAR @ 12" C.C. E.W. (GRADE 60) - 2" MIN. REBAR CLEARANCE (TYP)
5. NO INVERT CHANNEL
6. WET STICK 14" X 24" #5 L-BARS SPACED @ 12" C.C. E.W. (GRADE 60) OUT OF FLOOR FOR WALL POUR TIE-IN (SEE L-BAR DETAIL) |
|---|--|---|

FIRST POUR (FLOOR): 2,041 LBS
SECOND POUR (WALLS): 5,341 LBS

Rim: 836.95' Rim to Invert: 4.94' Slack: 0.28" Sump: 0" Step Position:

Position	Elev	Angle	Ext. (cw)	Pipe	Pipe OD	Connector	Hole	Horz Size	Up (↓)	Offset
Invert 1	832.01'	90°	38"	24" CMP	25"	Hole 28	28"	28"	-2"	0"
Invert 2	832.51'	90°	61"	4" HDPE (perf pipe)	4.8"	Hole 6	6"	6"	5"	23"
Invert 3										
Invert 4										
Invert 5										
Invert 6										
Invert 7										
Invert 8										



Coating (Int): Coating (Ext):	Seam Up: Flat Seam Dn: n/a	Wall Thickness: 8" Floor Height: 8"	Height (Int): 43" Height (Ext): 51"	Weight (Net): 7382 lb Volume (Net): 1.88cu.yd
----------------------------------	-------------------------------	--	--	--

Job Name: 25-4245 - KYTC Marion Co Call 104 (251015) Job Location: Lebanon, KY Contractor: Rame Contracting LLC	Plant: 100 12/29/2025 11:54:11 AM	Tech: J. Horsley - A PC: Celina Goff	
---	--------------------------------------	---	--

Structure ID: 25

P1 BX2460-08BAVF

BOX BASE 8inW, 8inF, Variable Ht F/n

- P3) 15" x 59" - P.I.P. - BY OTHERS - 8"
- P2) 24" x 60" - BX FLAT LID 8inW, w/15"x59" HOLE (KYTC DBI-13S) F/F - 8"
- P1) 24" x 60" - BOX BASE 8inW, 8inF, Variable Ht F/n - 43"
- 1) CASTING - HOE KY-230-S F/G (SAG)
- 1) SECONDARY POUR
- 1) 24" x 60" - Conseal CS-102 1.00"
- 1) Hole - 28
- 1) Hole - 6

- Structure Notes:**
- ** KYTC STATE PROJECT **
 - 1. HOE KY-230-S FRAME & GRATE (SAG) PROVIDED BY ICAST
 - 2. KYTC DBI TYPE 13S / ASTM C-913 SPECS
 - 3. CONCRETE: 4,000 PSI AT 28 DAYS
 - 4. REINFORCEMENT: #5 BAR @ 12" C.C. E.W. (GRADE 60) - 2" MIN. REBAR CLEARANCE (TYP)
 - 5. NO INVERT CHANNEL
 - 6. LIFTERS: 4 EA. 5CA14 CONAC A-ANCHORS FOR PLANT & FIELD HANDLING - INSTALLED IN 90° & 270° WALLS, MIN. 12" FROM TOP OF WALLS

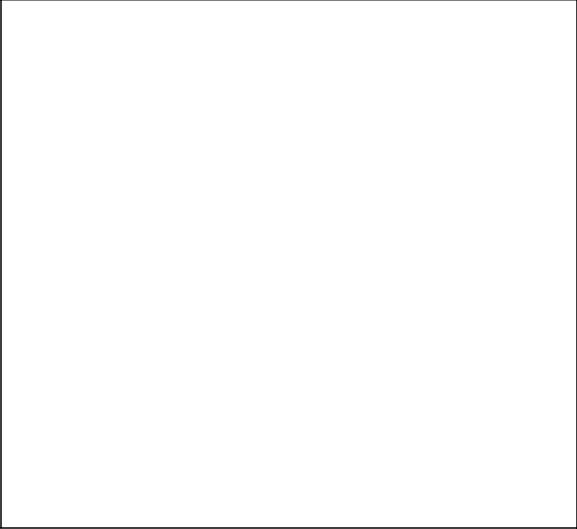
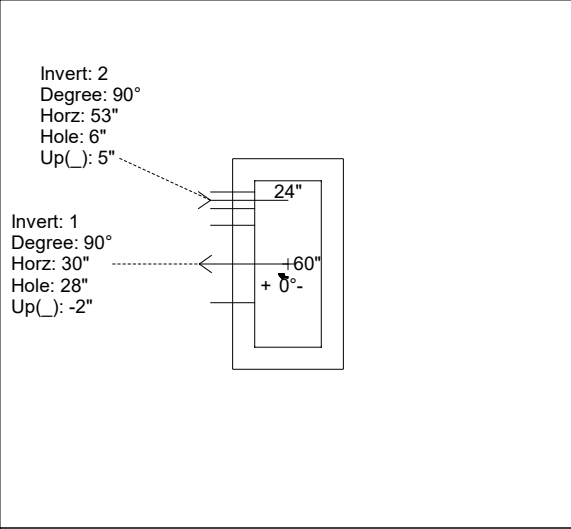
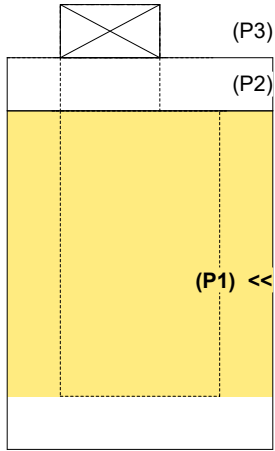
Structure Total: 9317 lb

FIRST POUR (FLOOR): 2,041 LBS
SECOND POUR (WALLS): 5,341 LBS

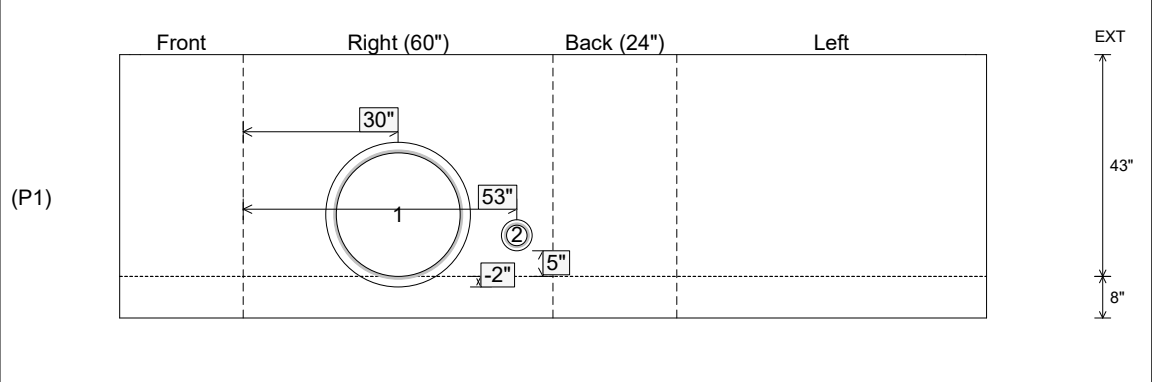
Rim: 836.95' Rim to Invert: 4.94' Slack: 0.28" Sump: 0" Step Position:

Position	Elev	Angle	Ext. (cw)	Pipe	Pipe OD	Connector	Hole	Horz Size	Up ()	Offset
Invert 1	832.01'	90°	38"	24" CMP	25"	Hole 28	28"	28"	-2"	0"
Invert 2	832.51'	90°	61"	4" HDPE (perf pipe)	4.8"	Hole 6	6"	6"	5"	23"
Invert 3										
Invert 4										
Invert 5										
Invert 6										
Invert 7										
Invert 8										

RIGHT-SIDE UP VIEW (int. dimensions) UPSIDE-DOWN VIEW (int. dimensions)



INSIDE WALL DIMENSIONS



Coating (Int): Coating (Ext):	Seam Up: Flat Seam Dn: n/a	Wall Thickness: 8" Floor Height: 8"	Height (Int): 43" Height (Ext): 51"	Weight (Net): 7382 lb Volume (Net): 1.88cu.yd
----------------------------------	-------------------------------	--	--	--