

**Job Name: 25-4245 - KYTC Marion Co Call 104 (251015)**  
**Job Location: Lebanon, KY**  
**Contractor: Rame Contracting LLC**

PC: Celina Goff  
 TECH: J. Horsley - A  
 Plant: 100



Structure ID: 22  
 Spec: KYTC  
 Type: CBI TYPE A (10')  
 Size: 24" x 36"

Rim: 863.58'  
 Invert: 858.5'  
 Rim to Invert: 5.08'

Sump: 0"  
 Floor (Top): 858.5'  
 Floor Height: 8"

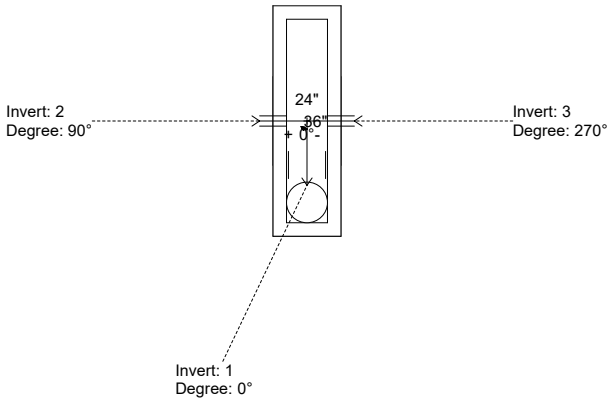
Floor (Bot): 857.833'  
 Overall Height: 5.583'  
 Slack: 1.96"

**Structure Notes:**

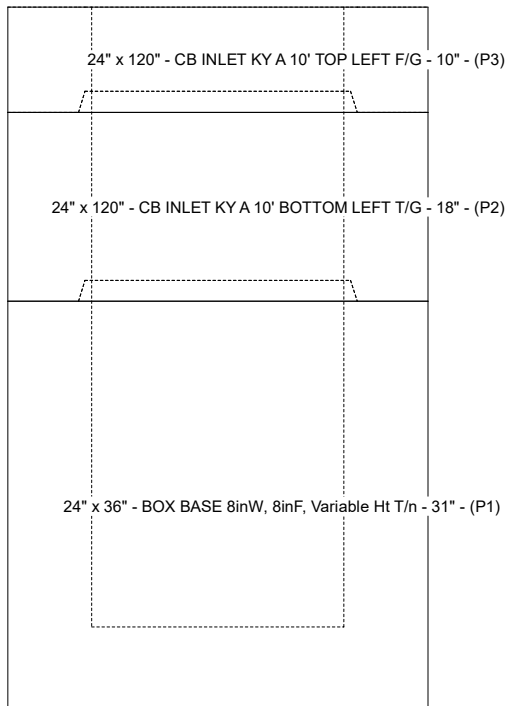
- \*\* KYTC STATE PROJECT \*\*
- 1. HOE KY-206 FRAME & COVER (KY TY 1) PROVIDED BY ICAST  
 - FRAME TO BE CAST INTO TOP PHASE TOP FLANGE SIDE UP
- 2. PER KYTC CBI TYPE A / ASTM C-913 SPECS
- 3. CONCRETE: 4,000 PSI AT 28 DAYS
- 4. REINFORCEMENT:  
 - TOP PHASE TOP: #5 BAR @ 6" C.C. E.W. (GRADE 60)  
 - TOP PHASE BOTTOM: #5 BAR @ 12" C.C. E.W. (GRADE 60)  
 - PIPE CHAMBER: #5 BAR @ 12" C.C. E.W. (GRADE 60)
- 5. NO INVERT CHANNEL

**STRUCTURE SUMMARY:**

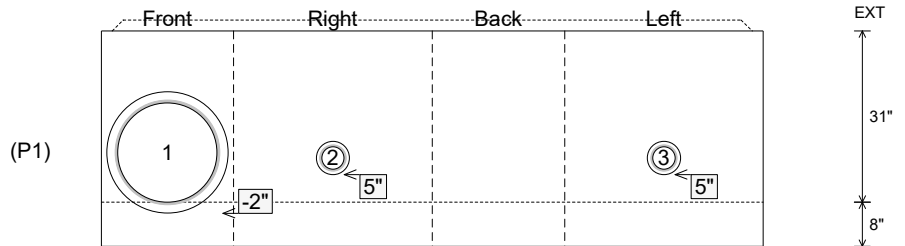
P3) 24" x 120" - CB INLET KY A 10' TOP LEFT F/G - 10"	3400 lb
P2) 24" x 120" - CB INLET KY A 10' BOTTOM LEFT T/G - 18"	5270 lb
P1) 24" x 36" - BOX BASE 8inW, 8inF, Variable Ht T/n - 31"	4266 lb
1) CASTING - HOE KY-206 F/C (KY TY1)	206 lb
1) 24" x 36" - Conseal CS-102 1.00"	0 lb
1) Hole - 22	0 lb
2) Hole - 6	0 lb
<b>Structure Total:</b>	<b>13142 lb</b>



Position	Elev	Angle	Pipe	Pipe OD	Hole	Connector	Up (L)	Ref
Rim	863.58'							
Reducer								
Invert 1	858.5'	0°	18" CMP	19"	22"	Hole 22	-2"	P1
Invert 2	859'	90°	4" HDPE (perf pipe)	4.8"	6"	Hole 6	5"	P1
Invert 3	859'	270°	4" HDPE (perf pipe)	4.8"	6"	Hole 6	5"	P1
Invert 4								
Invert 5								
Invert 6								
Invert 7								
Invert 8								



**Cast (Int. Dim.) - Interior Dimensions**



Submittal Drawing  
 12/29/2025 11:42:43 AM

SUBMITTAL  
 APPROVED BY: