

**Job Name: 25-4245 - KYTC Marion Co Call 104 (251015)**  
**Job Location: Lebanon, KY**  
**Contractor: Rame Contracting LLC**

PC: Celina Goff  
 TECH: J. Horsley - A  
 Plant: 100



Structure ID: 2  
 Spec: KYTC  
 Type: CBI TYPE A (10')  
 Size: 36" x 36"

Rim: 834.29'  
 Invert: 829.07'  
 Rim to Invert: 5.22'

Sump: 0"  
 Floor (Top): 829.07'  
 Floor Height: 8"

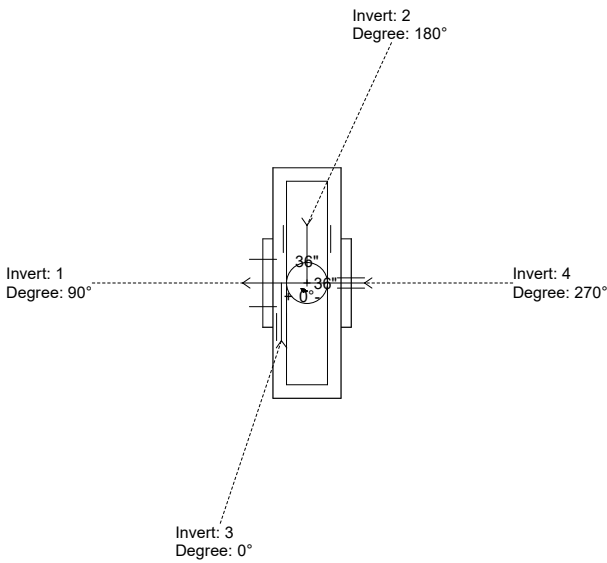
Floor (Bot): 828.403'  
 Overall Height: 5.833'  
 Slack: 0.64"

**Structure Notes:**

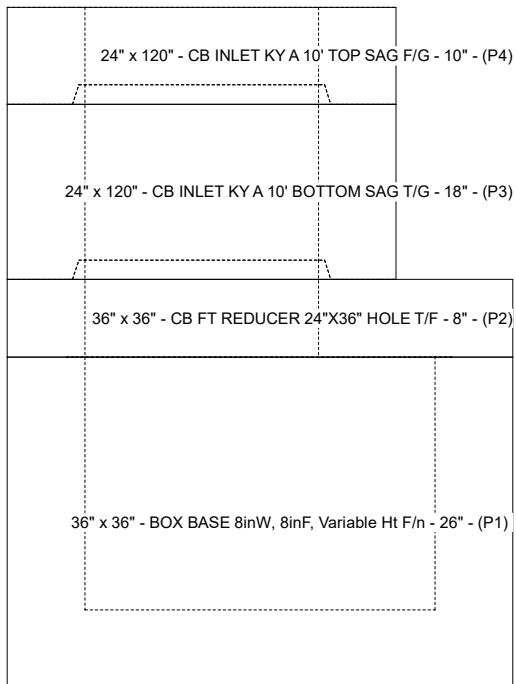
- \*\* KYTC STATE PROJECT \*\*
- HOE KY-206 FRAME & COVER (KY TY 1) PROVIDED BY ICAST - FRAME TO BE CAST INTO TOP PHASE TOP FLANGE SIDE UP - PER KYTC CBI TYPE A / ASTM C-913 SPECS
  - CONCRETE: 4,000 PSI AT 28 DAYS
  - REINFORCEMENT:
    - TOP PHASE TOP: #5 BAR @ 6" C.C. E.W. (GRADE 60)
    - TOP PHASE BOTTOM: #5 BAR @ 12" C.C. E.W. (GRADE 60)
    - TRANSITION SLAB: DBL MAT #5 BAR @ 6" C.C. E.W. (GRADE 60)
    - PIPE CHAMBER: #5 BAR @ 12" C.C. E.W. (GRADE 60)
  - NO INVERT CHANNEL

**STRUCTURE SUMMARY:**

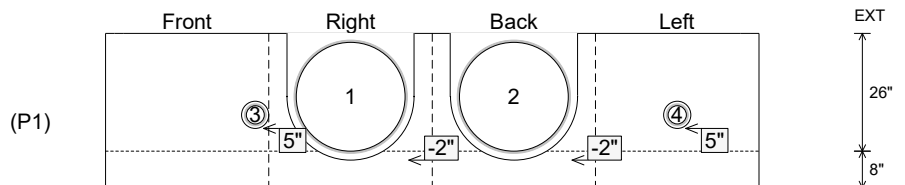
P4) 24" x 120" - CB INLET KY A 10' TOP SAG F/G - 10"	3398 lb
P3) 24" x 120" - CB INLET KY A 10' BOTTOM SAG T/G - 18"	5270 lb
P2) 36" x 36" - CB FT REDUCER 24"X36" HOLE T/F - 8"	1235 lb
P1) 36" x 36" - BOX BASE 8inW, 8inF, Variable Ht F/n - 26"	3914 lb
1) CASTING - HOE KY-206 F/C (KY TY1)	206 lb
1) 36" x 36" - Conseal CS-102 1.00"	0 lb
1) 24" x 36" - Conseal CS-102 1.00"	0 lb
2) DOGHOUSE INVRTD - 28"x28"	0 lb
2) Hole - 6"	0 lb
<b>Structure Total:</b>	<b>14023 lb</b>



Position	Elev	Angle	Pipe	Pipe OD	Hole	Connector	Up ( )	Ref
Rim	834.29'							
Reducer	831.237'							
Invert 1	829.07'	90°	24" CMP	25"	28" x 28"	DOGHOUSE INVRTD 28"x28"	-2"	P1
Invert 2	829.07'	180°	24" CMP	25"	28" x 28"	DOGHOUSE INVRTD 28"x28"	-2"	P1
Invert 3	829.57'	0°	4" HDPE (perf pipe)	4.8"	6"	Hole 6"	5"	P1
Invert 4	829.57'	270°	4" HDPE (perf pipe)	4.8"	6"	Hole 6"	5"	P1
Invert 5								
Invert 6								
Invert 7								
Invert 8								



**Cast (Int. Dim.) - Interior Dimensions**



Submittal Drawing  
 12/29/2025 11:42:38 AM

SUBMITTAL  
 APPROVED BY: