

Structure ID: 16

P1 BX2436-08BVF

BOX BASE 8inW, 8inF, Variable Ht T/n

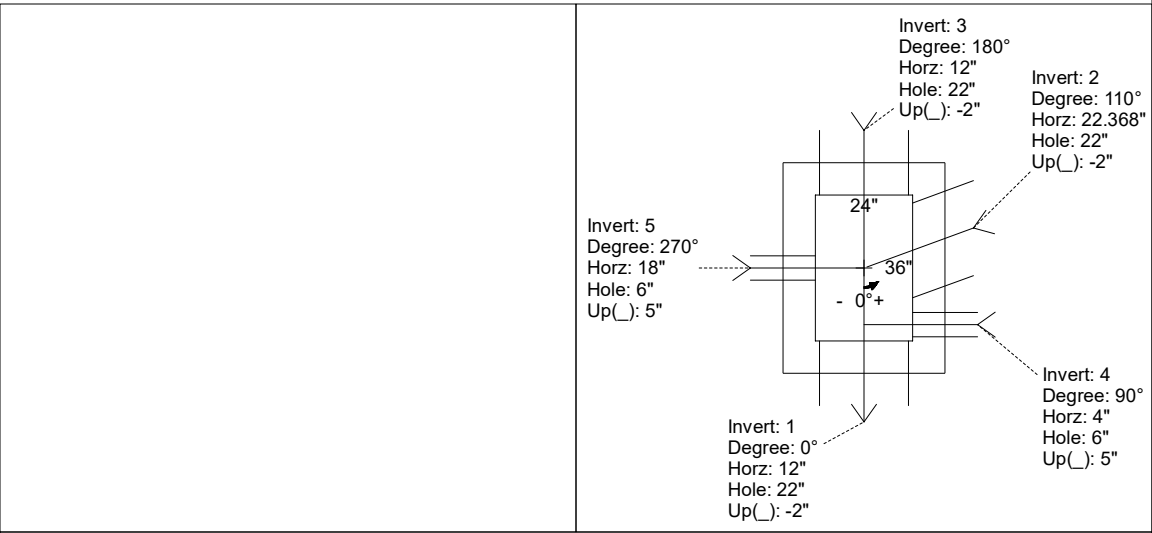
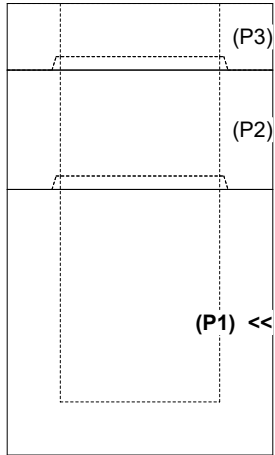
P3) 24" x 120" - CB INLET KY A 10' TOP LEFT F/G - 10" P2) 24" x 120" - CB INLET KY A 10' BOTTOM LEFT T/G - 18" P1) 24" x 36" - BOX BASE 8inW, 8inF, Variable Ht T/n - 32" 1) CASTING - HOE KY-206 F/C (KY TY1) 1) 24" x 36" - Conseal CS-102 1.00" 3) Hole - 22 2) Hole - 6	<table style="width:100%; border-collapse: collapse;"> <tr><td style="text-align: right;">3400 lb</td></tr> <tr><td style="text-align: right;">5270 lb</td></tr> <tr><td style="text-align: right;">3842 lb</td></tr> <tr><td style="text-align: right;">206 lb</td></tr> <tr><td style="text-align: right;">0 lb</td></tr> <tr><td style="text-align: right;">0 lb</td></tr> <tr><td style="text-align: right;">0 lb</td></tr> <tr><td style="text-align: right;">-----0 lb</td></tr> <tr><td style="text-align: right;">Structure Total: 12717 lb</td></tr> </table>	3400 lb	5270 lb	3842 lb	206 lb	0 lb	0 lb	0 lb	-----0 lb	Structure Total: 12717 lb
3400 lb										
5270 lb										
3842 lb										
206 lb										
0 lb										
0 lb										
0 lb										
-----0 lb										
Structure Total: 12717 lb										

Structure Notes:
 ** KYTC STATE PROJECT **
 1. HOE KY-206 FRAME & COVER (KY TY 1) PROVIDED BY ICAST - FRAME TO BE CAST INTO TOP PHASE TOP FLANGE SIDE UP
 2. PER KYTC CBI TYPE A / ASTM C-913 SPECS
 3. CONCRETE: 4,000 PSI AT 28 DAYS
 4. REINFORCEMENT: #5 BAR @ 12" C.C. E.W. (GRADE 60) - 2" MIN. REBAR CLEARANCE (TYP)
 5. NO INVERT CHANNEL

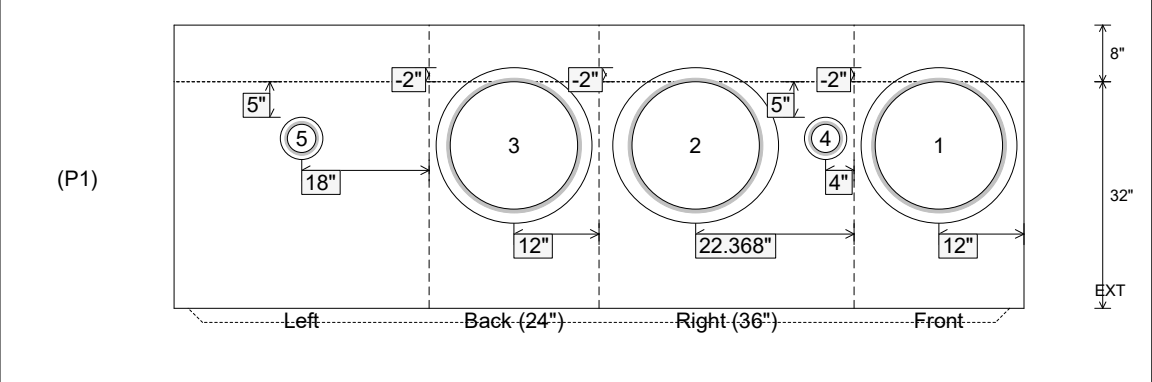
Rim: 837.84' Rim to Invert: 5.18' Slack: 2.16" Sump: 0" Step Position:

Position	Elev	Angle	Ext. (cw)	Pipe	Pipe OD	Connector	Hole	Horz Size	Up ()	Offset
Invert 1	832.66'	0°	20"	18" CMP	19"	Hole 22	22"	22"	-2"	0"
Invert 2	832.66'	110°	33.279"	18" CMP	19"	Hole 22	22"	23.412"	-2"	0"
Invert 3	832.66'	180°	20"	18" CMP	19"	Hole 22	22"	22"	-2"	0"
Invert 4	833.16'	90°	12"	4" HDPE (perf pipe)	4.8"	Hole 6	6"	6"	5"	-14"
Invert 5	833.16'	270°	26"	4" HDPE (perf pipe)	4.8"	Hole 6	6"	6"	5"	0"
Invert 6										
Invert 7										
Invert 8										

RIGHT-SIDE UP VIEW (int. dimensions) UPSIDE-DOWN VIEW (int. dimensions)



INSIDE WALL DIMENSIONS



Coating (Int): Coating (Ext):	Seam Up: Tongue Seam Dn: n/a	Wall Thickness: 8" Floor Height: 8"	Height (Int): 32" Height (Ext): 40"	Weight (Net): 3842 lb Volume (Net): 0.98cu.yd
----------------------------------	---------------------------------	--	--	--