

Job Name: 25-4245 - KYTC Marion Co Call 104 (251015)
 Job Location: Lebanon, KY
 Contractor: Rame Contracting LLC

Plant: 100

1/2/2026 7:21:46 AM

Tech: J. Horsley - A

PC: Celina Goff



Structure ID: 14

P2 BX048048-08LD08S

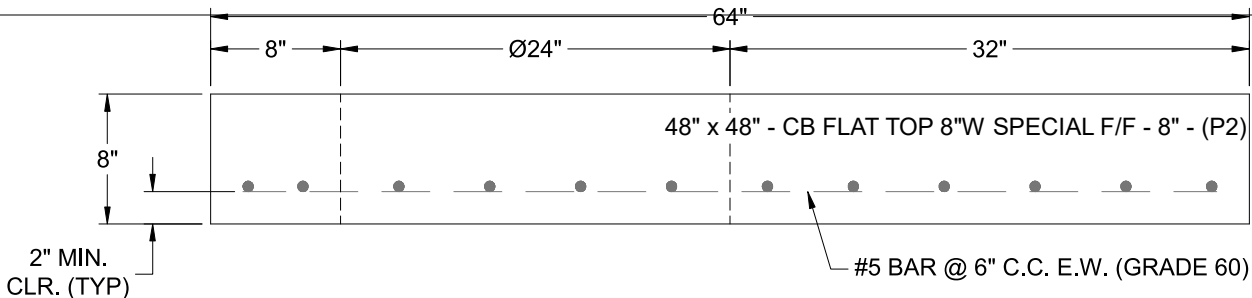
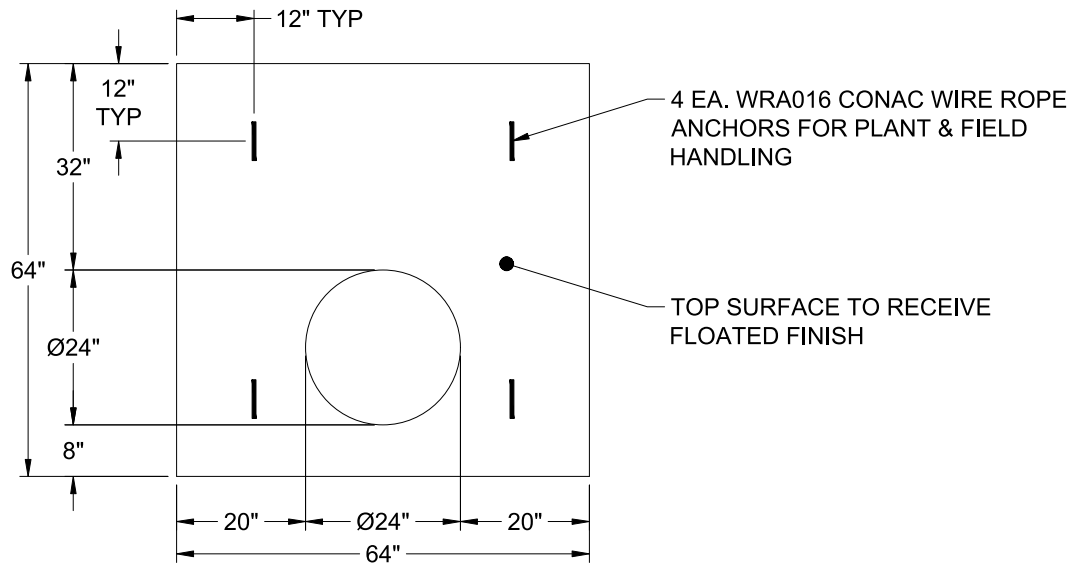
CB FLAT TOP 8"W SPECIAL F/F

- P3) 24" - CASTING HEIGHT - 8"
- P2) 48" x 48" - CB FLAT TOP 8"W SPECIAL F/F - 8"
- P1) 48" x 48" - BX BASE w/FLANGE 08W/12F/08EF F/n - 60"
- 1) SECONDARY POUR
- 1) CASTING - HOE KY-510 F/C (KY TY.2)
- 1) 48" x 48" - Conseal CS-102 1.00"
- 2) Hole - 34
- 1) Hole - 22
- 6) MH Step ML-10-TDS-NCR - 10"

0 lb
 2446 lb
 13882 lb
 0 lb
 510 lb
 0 lb
 0 lb
 0 lb
 0 lb
 0 lb

 Structure Total: 16838 lb

- Structure Notes:
 ** KYTC STATE PROJECT **
1. HOE KY-510 FRAME & COVER (KY TY 2) PROVIDED BY ICAST
 2. PER KYTC MANHOLE TYPE C / ASTM C-913 SPECS
 3. CONCRETE: 4,000 PSI AT 28 DAYS
 4. REINFORCEMENT: #5 BAR @ 6" C.C. E.W. (GRADE 60) - 2" MIN. REBAR CLEARANCE (TYP)
 5. NO INVERT CHANNEL
 6. STEPS AT 0 DEGREES
 7. LIFTERS: 4 EA. WRA016 CONAC WIRE ROPE ANCHORS FOR PLANT & FIELD HANDLING



Coating (Int):
 Coating (Ext):

Seam Up: Flat
 Seam Dn: Flat

Wall Thickness: 8"

Height (Ext): 8"

Weight (Net): 2446 lb
 Volume (Net): 0.62cu.yd