

Structure ID: 14

P1 BX4848-08W12FEBAVF

BX BASE w/FLANGE 08W/12F/08EF F/n

- P3) 24" - CASTING HEIGHT - 8"
- P2) 48" x 48" - CB FLAT TOP 8"W SPECIAL F/F - 8"
- P1) 48" x 48" - BX BASE w/FLANGE 08W/12F/08EF F/n - 60"
- 1) SECONDARY POUR
- 1) CASTING - HOE KY-510 F/C (KY TY.2)
- 1) 48" x 48" - Conseal CS-102 1.00"
- 2) Hole - 34
- 1) Hole - 22
- 6) MH Step ML-10-TDS-NCR - 10"

0 lb
 2446 lb
 13882 lb
 0 lb
 510 lb
 0 lb
 0 lb
 0 lb
 0 lb
 0 lb
 Structure Total: 16838 lb

- Structure Notes:
 ** KYTC STATE PROJECT **
1. HOE KY-510 FRAME & COVER (KY TY 2) PROVIDED BY ICAST
 2. PER KYTC MANHOLE TYPE C / ASTM C-913 SPECS
 3. CONCRETE: 4,000 PSI AT 28 DAYS
 4. REINFORCEMENT: #5 BAR @ 12" C.C. E.W. (GRADE 60) - 2" MIN. REBAR CLEARANCE (TYP)
 5. NO INVERT CHANNEL
 6. STEPS AT 0 DEGREES
 7. WET STICK 24" X 30" #5 L-BARS SPACED @ 12" C.C. E.W. (GRADE 60) OUT OF FLOOR FOR WALL POUR TIE-IN (SEE L-BAR DETAIL)

FIRST POUR (FLOOR): 4,124 LBS
SECOND POUR (WALLS): 9,758 LBS

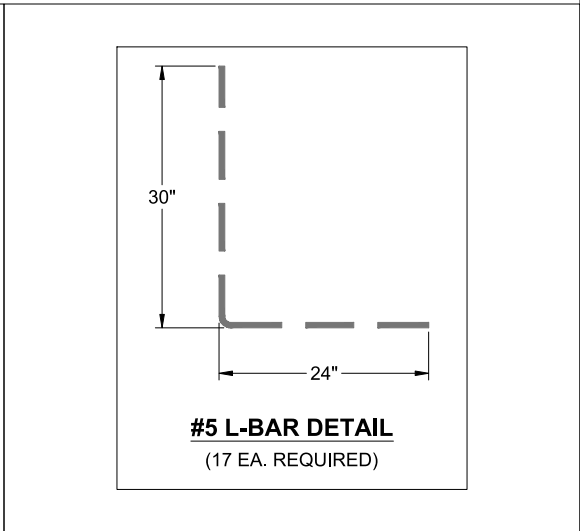
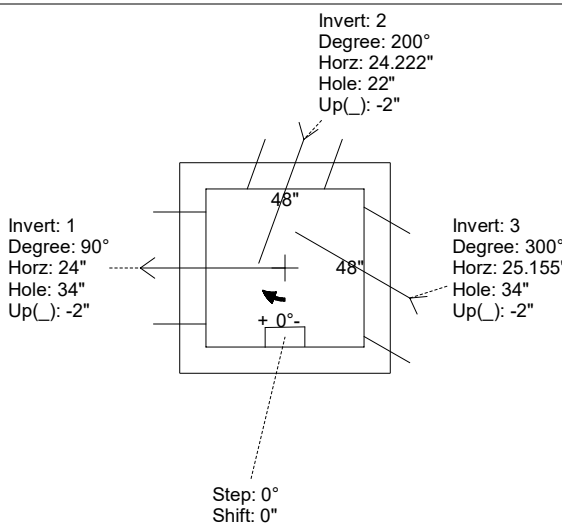
Rim: 837.88' Rim to Invert: 6.36' Slack: 0.32" Sump: 0" Step Position: 0°

Position	Elev	Angle	Ext. (cw)	Pipe	Pipe OD	Connector	Hole	Horz Size	Up (↓)	Offset
Invert 1	831.52'	90°	32"	30" CMP	31"	Hole 34	34"	34"	-2"	0"
Invert 2	831.52'	200°	35.134"	18" CMP	19"	Hole 22	22"	23.412"	-2"	-8"
Invert 3	831.52'	300°	37.773"	30" CMP	31"	Hole 34	34"	39.26"	-2"	-11"
Invert 4										
Invert 5										
Invert 6										
Invert 7										
Invert 8										

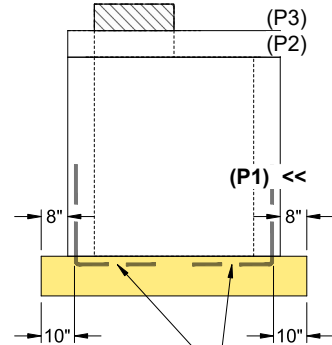
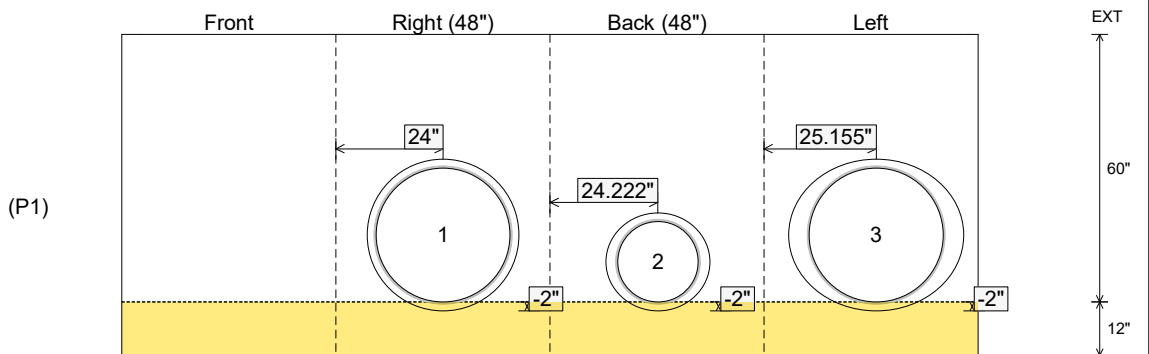
FLOOR: 12"
WALLS: 8"

RIGHT-SIDE UP VIEW (int. dimensions)

UPSIDE-DOWN VIEW (int. dimensions)



INSIDE WALL DIMENSIONS



WET STICK #5 L-BARS SPACED @ 12" C.C. (GRADE 60) OUT OF FLOOR FOR WALL POUR TIE-IN (SEE L-BAR DETAIL)

Coating (Int): Coating (Ext):	Seam Up: Flat Seam Dn: n/a	Wall Thickness: 8" Floor Height: 12"	Height (Int): 60" Height (Ext): 72"	Weight (Net): 13882 lb Volume (Net): 3.55cu.yd
----------------------------------	-------------------------------	---	--	---

Job Name: 25-4245 - KYTC Marion Co Call 104 (251015)	Plant: 100	Tech: J. Horsley - A	
Job Location: Lebanon, KY Contractor: Rame Contracting LLC	12/29/2025 11:54:10 AM	PC: Celina Goff	

Structure ID: 14

P1 BX4848-08W12FEBAVF

BX BASE w/FLANGE 08W/12F/08EF F/n

- P3) 24" - CASTING HEIGHT - 8"
- P2) 48" x 48" - CB FLAT TOP 8"W SPECIAL F/F - 8"
- P1) 48" x 48" - BX BASE w/FLANGE 08W/12F/08EF F/n - 60"
- 1) SECONDARY POUR
- 1) CASTING - HOE KY-510 F/C (KY TY.2)
- 1) 48" x 48" - Conseal CS-102 1.00"
- 2) Hole - 34
- 1) Hole - 22
- 6) MH Step ML-10-TDS-NCR - 10"

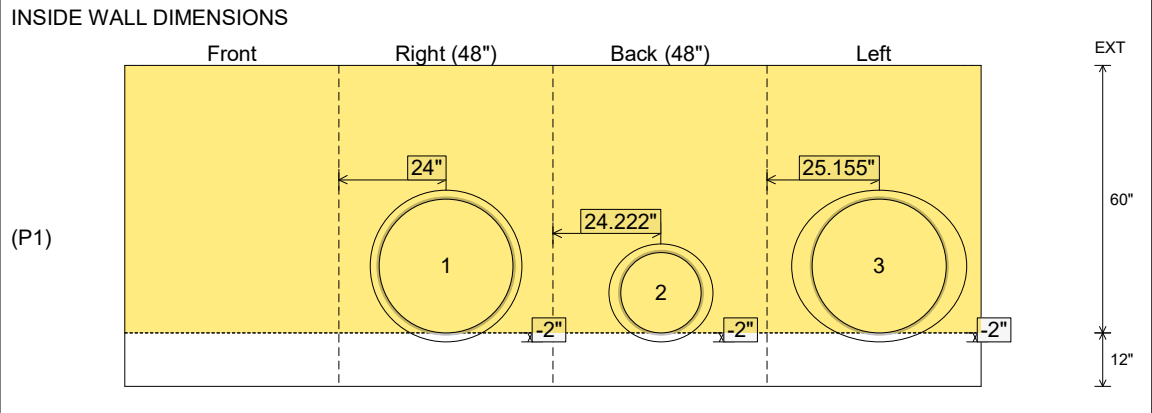
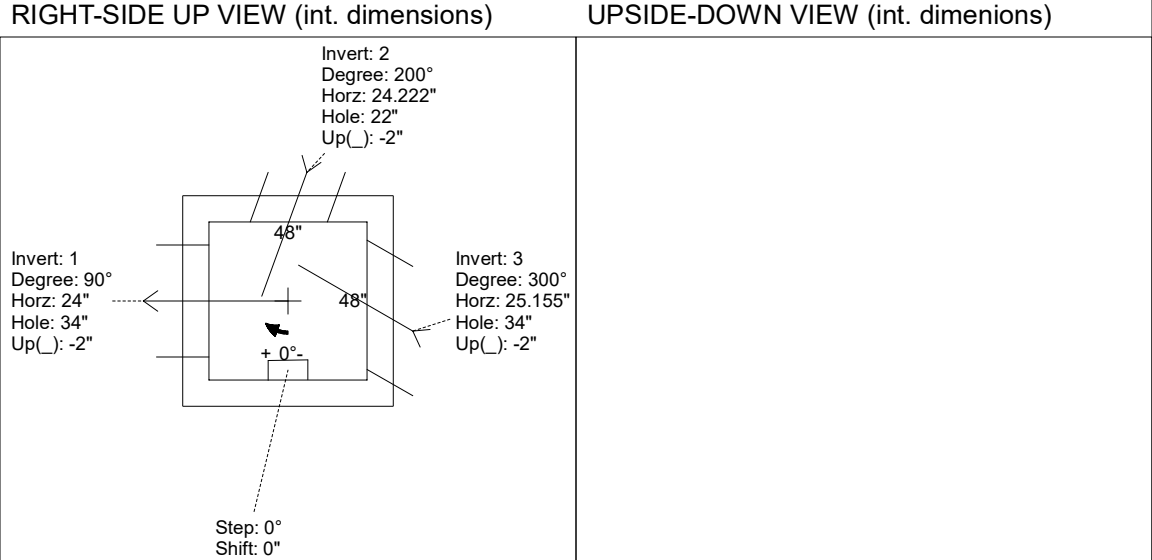
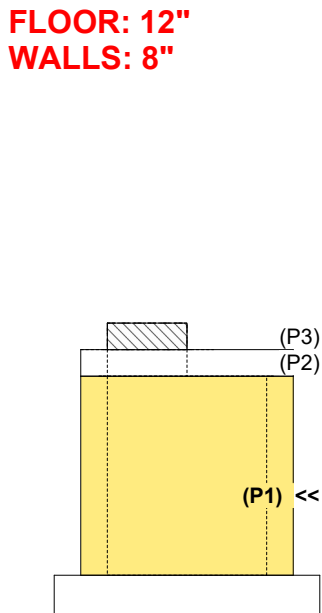
0 lb
2446 lb
13882 lb
0 lb
510 lb
0 lb
0 lb
0 lb
0 lb
0 lb
Structure Total: 16838 lb

- Structure Notes:**
**** KYTC STATE PROJECT ****
 1. HOE KY-510 FRAME & COVER (KY TY 2) PROVIDED BY ICAST
 2. PER KYTC MANHOLE TYPE C / ASTM C-913 SPECS
 3. CONCRETE: 4,000 PSI AT 28 DAYS
 4. REINFORCEMENT: #5 BAR @ 6" C.C. E.W. (GRADE 60) - 2" MIN. REBAR CLEARANCE (TYP)
 5. NO INVERT CHANNEL
 6. STEPS AT 0 DEGREES
 7. LIFTERS: 4 EA. 5CA18 CONAC A-ANCHORS FOR PLANT & FIELD HANDLING - INSTALLED IN 0° & 180° WALLS, MIN. 16" FROM TOP OF WALLS

FIRST POUR (FLOOR): 4,124 LBS
SECOND POUR (WALLS): 9,758 LBS

Rim: 837.88' Rim to Invert: 6.36' Slack: 0.32' Sump: 0' Step Position: 0°

Position	Elev	Angle	Ext. (cw)	Pipe	Pipe OD	Connector	Hole	Horz Size	Up ()	Offset
Invert 1	831.52'	90°	32"	30" CMP	31"	Hole 34	34"	34"	-2"	0"
Invert 2	831.52'	200°	35.134"	18" CMP	19"	Hole 22	22"	23.412"	-2"	-8"
Invert 3	831.52'	300°	37.773"	30" CMP	31"	Hole 34	34"	39.26"	-2"	-11"
Invert 4										
Invert 5										
Invert 6										
Invert 7										
Invert 8										



Coating (Int): Coating (Ext):	Seam Up: Flat Seam Dn: n/a	Wall Thickness: 8" Floor Height: 12"	Height (Int): 60" Height (Ext): 72"	Weight (Net): 13882 lb Volume (Net): 3.55cu.yd
----------------------------------	-------------------------------	---	--	---