



Structure ID: 10

P1 BX24300808VF

BOX BASE 8inW, 8inF, Variable Ht F/n

- P2) 24" x 30" - CASTING HEIGHT - 3.75"
- P1) 24" x 30" - BOX BASE 8inW, 8inF, Variable Ht F/n - 34"
- 1) CASTING - HOE KY-460-11 F/G (DBI 11)
- 1) 24" x 30" - Conseal CS-102 1.00"
- 1) Hole - 22
- 1) Hole - 18

	0 lb
	4005 lb
	421 lb
	0 lb
	0 lb
	0 lb
Structure Total:	4426 lb

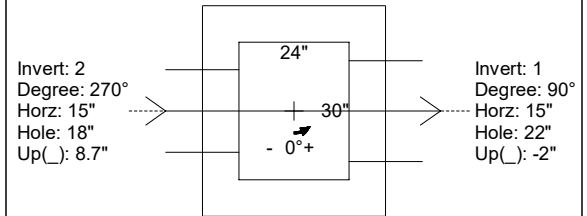
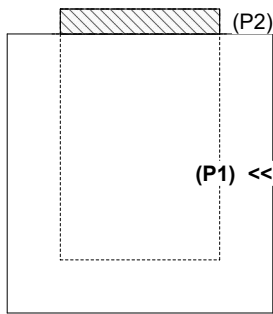
- Structure Notes:
- ** KYTC STATE PROJECT ****
1. HOE KY-460-11 FRAME & GRATE (DBI TY 11) PROVIDED BY ICAST
 2. PER KYTC DBI TYPE 11 / ASTM C-913 SPECS
 3. CONCRETE: 4,000 PSI AT 28 DAYS
 4. REINFORCEMENT: #5 BAR @ 12" C.C. E.W. (GRADE 60) - 2" MIN. REBAR CLEARANCE (TYP)
 5. NO INVERT CHANNEL

Rim: 836.63' Rim to Invert: 3.25' Slack: 1.25" Sump: 0" Step Position:

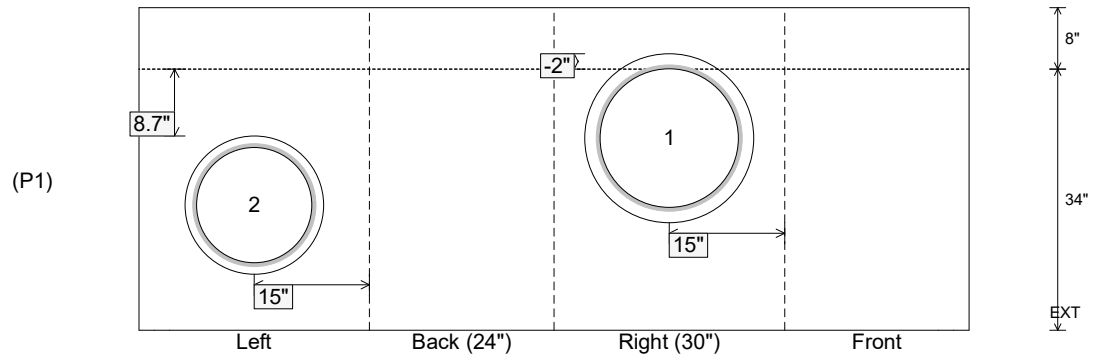
Position	Elev	Angle	Ext. (cw)	Pipe	Pipe OD	Connector	Hole	Horz Size	Up (↓)	Offset
Invert 1	833.38'	90°	23"	18" CMP	19"	Hole 22	22"	22"	-2"	0"
Invert 2	834.23'	270°	23"	15" CMP	16"	Hole 18	18"	18"	8.7"	0"
Invert 3										
Invert 4										
Invert 5										
Invert 6										
Invert 7										
Invert 8										

RIGHT-SIDE UP VIEW (int. dimensions)

UPSIDE-DOWN VIEW (int. dimensions)



INSIDE WALL DIMENSIONS



Coating (Int):
Coating (Ext):

Seam Up: Flat
Seam Dn: n/a

Wall Thickness: 8"
Floor Height: 8"

Height (Int): 34"
Height (Ext): 42"

Weight (Net): 4005 lb
Volume (Net): 1.02cu.yd