

Job Name: 25-4239 - CMS Material
Job Location: Marion, KY
Contractor: Ainsworth Land Development, LLC

PC: T. Lewis
 TECH: J. Horsley - F
 Plant: 100



Structure ID: 1-54239
 Spec: Storm
 Type: BX 8inW, 8inF
 Size: 36" x 36"

Rim: 539.5'
 Invert: 535.5'
 Rim to Invert: 4'

Sump: 0"
 Floor (Top): 535.5'
 Floor Height: 8"

Floor (Bot): 534.833'
 Overall Height: 4.667'
 Slack: 0"

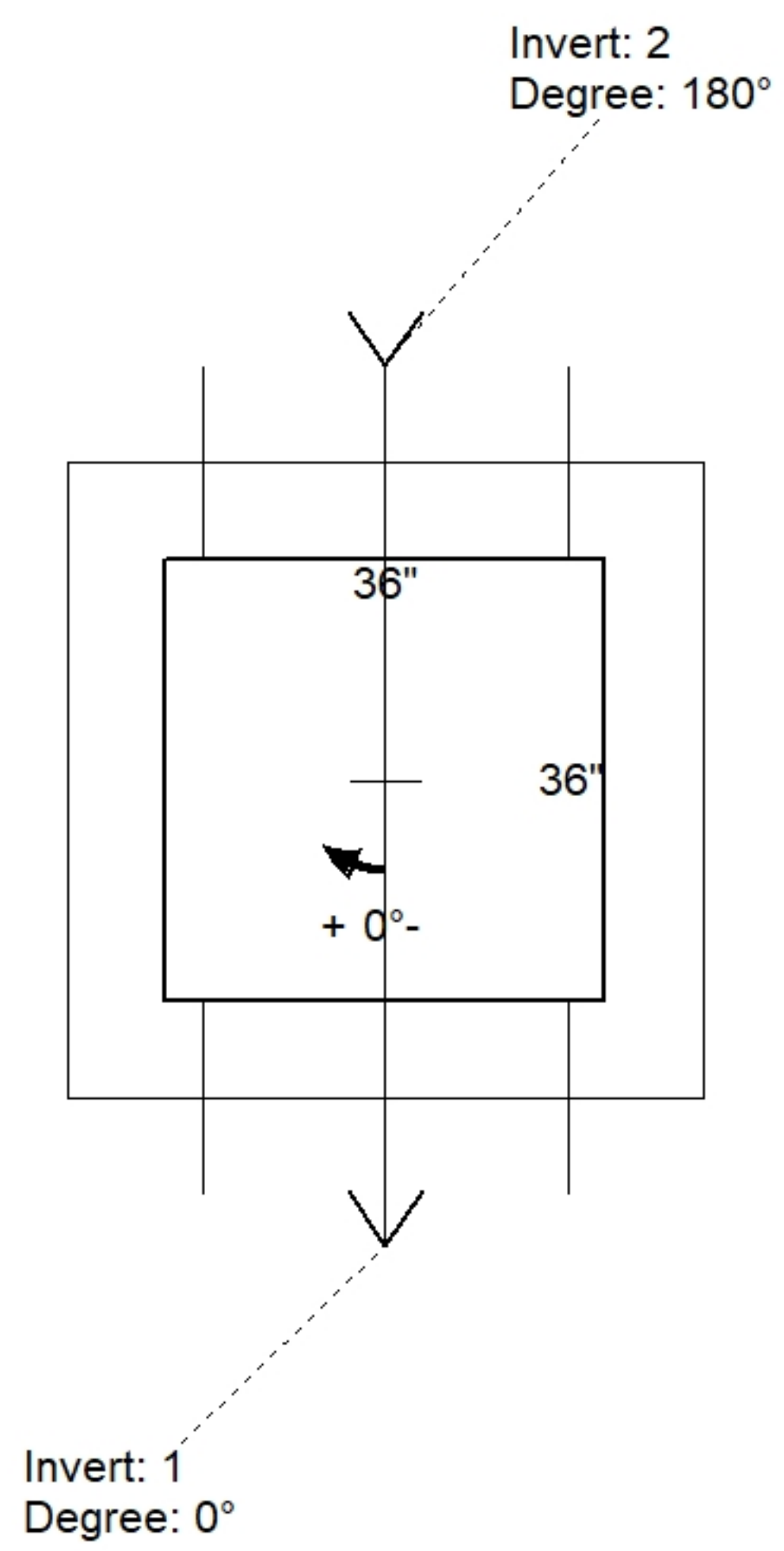
Structure Notes:

1. PER ASTM C913 SPECIFICATIONS.
 2. CONCRETE = 4,000 PSI AT 28 DAYS.
 3. NO STEPS AND NO INVERT CHANNEL.
 4. CASTING BY I-CAST (HOE 595 F/G)
- REINFORCING PER ASTM A615 (GRADE 60).
 - WALLS (As .31) #5 BARS AT 12" C.C.E.W.
 - FLOOR (As .31) #5 BARS AT 12" C.C.E.W.

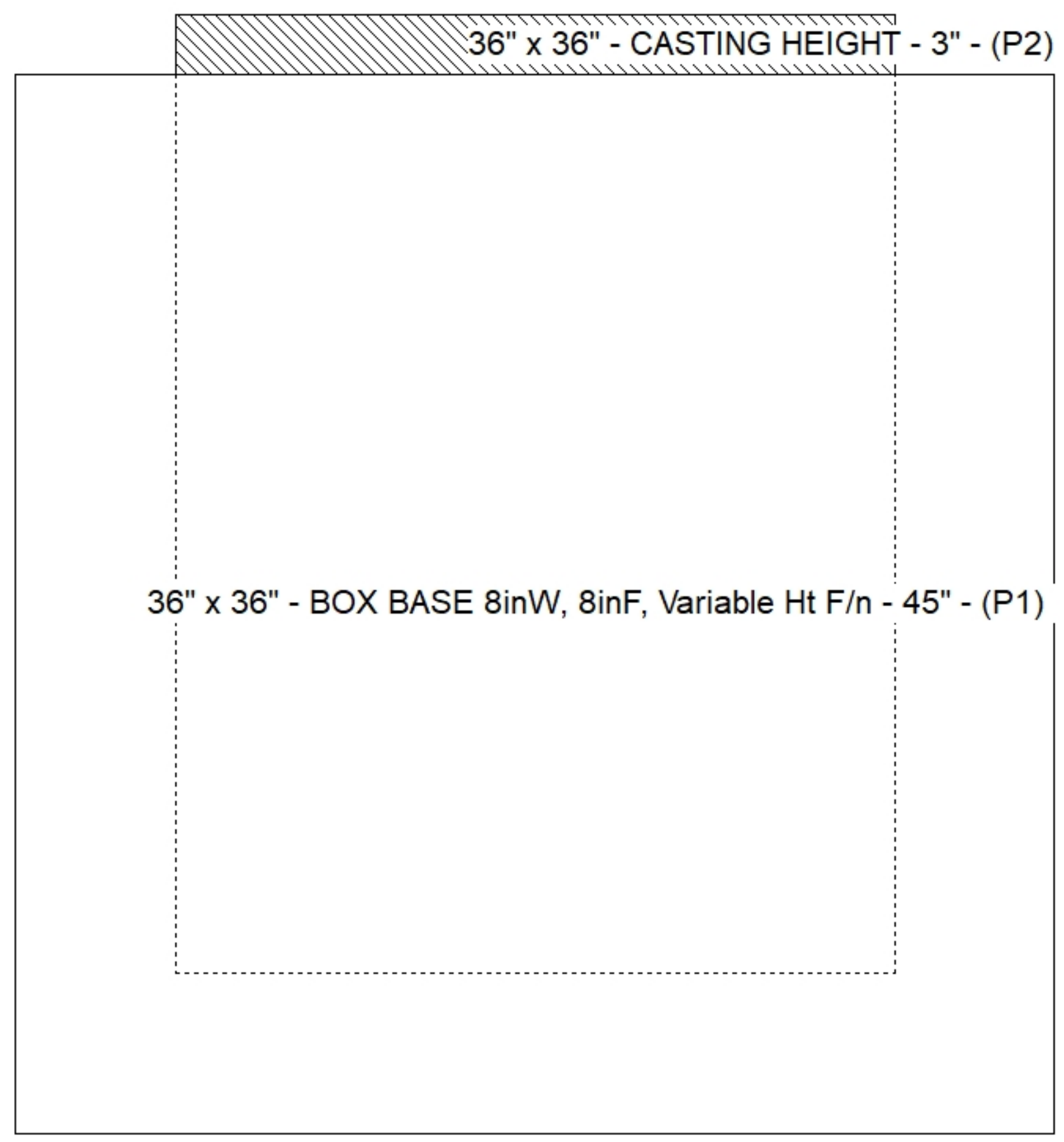
STRUCTURE SUMMARY:

P2) 36" x 36" - CASTING HEIGHT - 3"	0 lb
P1) 36" x 36" - BOX BASE 8inW, 8inF, Variable Ht F/n - 45"	6183 lb
1) CASTING - HOE 595 F/G	376 lb
1) 36" x 36" - Conseal CS-102 1.00"	0 lb
2) Hole - 30	0 lb

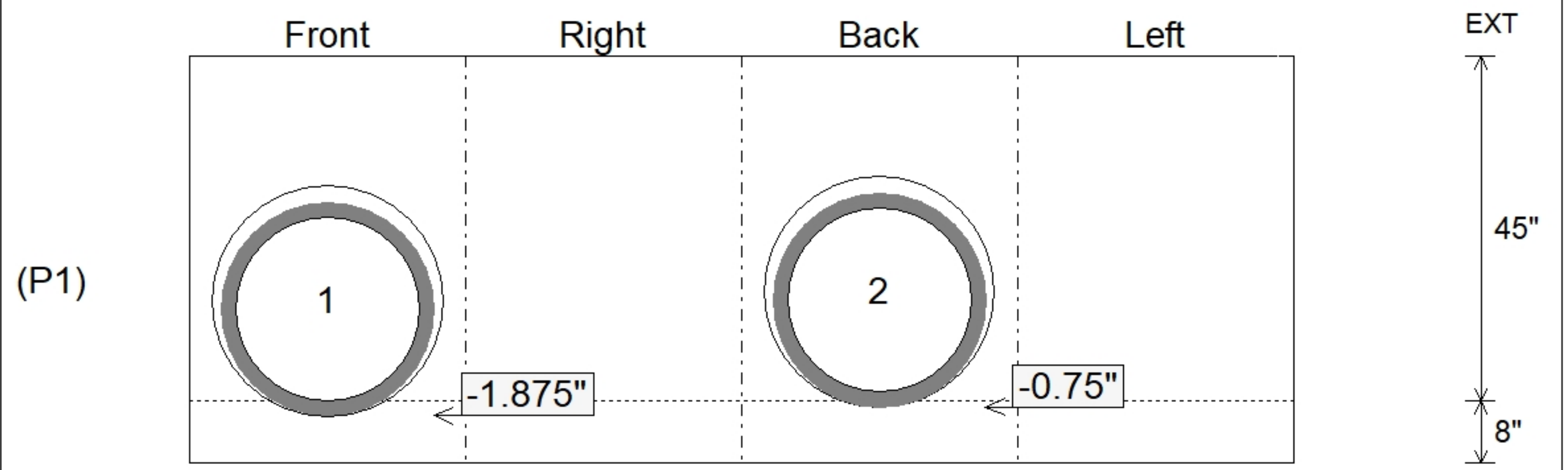
Structure Total:	6559 lb



Position	Elev	Angle	Pipe	Pipe OD	Hole	Connector	Up (")	Ref
Rim	539.5'							
Reducer								
Invert 1	535.5'	0°	24" HDPE	27.8"	30"	Hole 30	-1.875"	P1
Invert 2	535.6'	180°	24" HDPE	27.8"	30"	Hole 30	-0.75"	P1
Invert 3								
Invert 4								
Invert 5								
Invert 6								
Invert 7								
Invert 8								



Cast (Int. Dim.) - Interior Dimensions



Submittal Drawing
 11/25/2025 5:12:16 PM

SUBMITTAL
 APPROVED BY: