

Job Name: 25-4236 Christiana Way Vault  
 Job Location: Lavergne, TN  
 Contractor: Hayes Pipe Supply

Plant:  
 1/23/2026 11:50:26 AM

Tech: J. Coppage  
 PC: E. Bradley



**Structure ID: 2-54236**

**P1 BX8496-06W06-VF**

**BOX BASE 6inW, 6inF, Variable Ht**

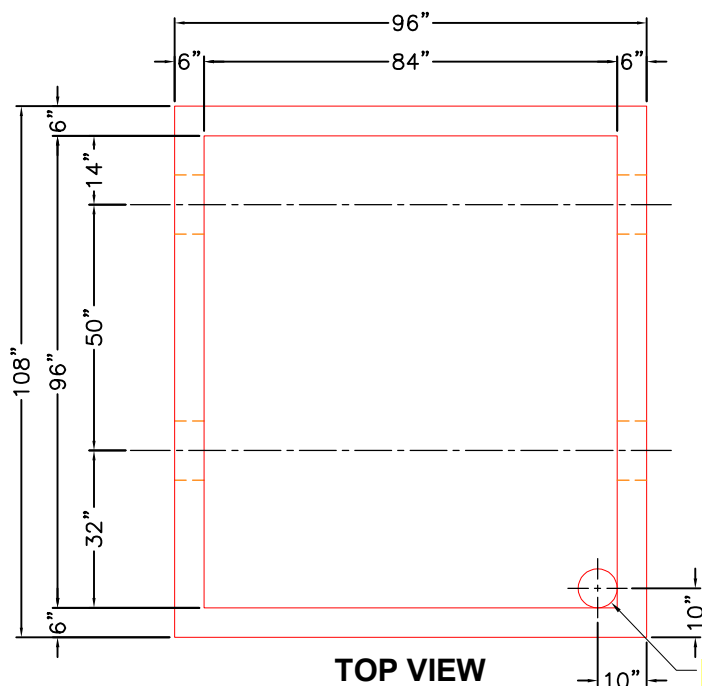
- P3) 48" x 72" - CASTING (cast in) - 3"
- P2) 84" x 96" - CB FLAT TOP 6"W SPECIAL (72" x 48" HATCH) - 6"
- P1) 84" x 96" - BOX BASE 6inW, 6inF, Variable Ht - 72"
- 1) SECONDARY POUR - WALLS
- 4) Hole - 12
- 1) Hole - 8

0 lb  
 3480 lb  
 18887 lb  
 0 lb  
 0 lb  
 0 lb  
 Structure Total: 22367 lb

- Structure Notes:**
1. PER ASTM C913 SPECIFICATIONS.
  2. CONCRETE = 4,000 PSI AT 28 DAYS.
  3. NO INVERT CHANNEL.
  4. REINFORCING PER ASTM A615 (GRADE 60).
    - TOP SLAB (As .62) #5 BARS AT 6" C.C.E.W.
    - WALLS (As .12) #5 BARS AT 12" C.C.E.W.
    - FLOOR (As .12) #5 BARS AT 12" C.C.E.W.

**FIRST POUR DRAWING**

Rim: 6.5' Rim to Invert: 6.5' Slack: 0" Sump: 0" Step Position:

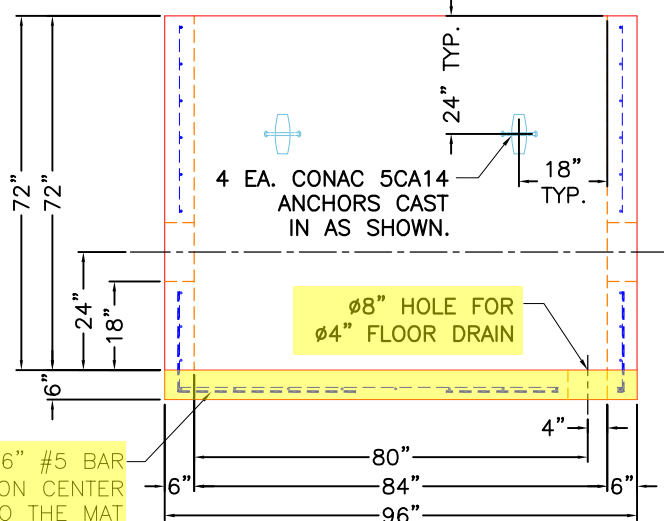


**TOP VIEW**

**Ø8" HOLE FOR  
 Ø4" FLOOR DRAIN**

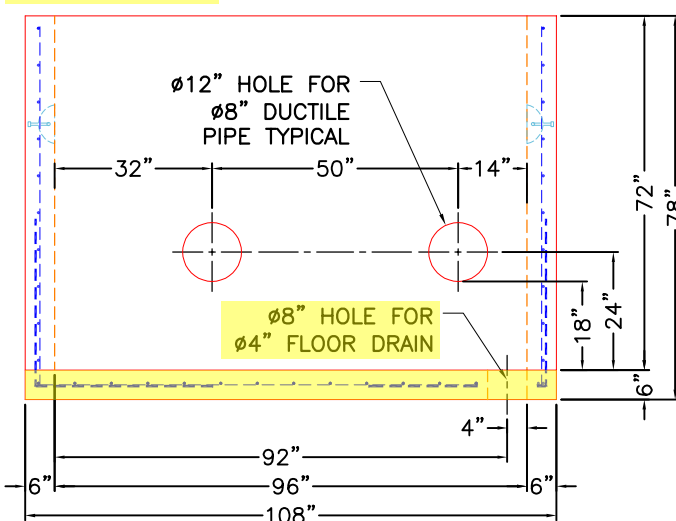
**GENERAL NOTES:**

1. MANUFACTURED TO ASTM C-913 (LATEST REVISION).
2. CONCRETE: 5,000 PSI AT 28 DAYS.
3. REINFORCING: #5 BAR @ 12" C-C E.W. PER ASTM A615 (GRADE 60).
4. WEIGHTS:
  - FIRST POUR = 5,195 LBS
  - SECOND POUR = 13,692 LBS
  - TOTAL = 18,887 LBS
5. LADDER PROVIDED BY OTHERS.
6. SLOPE FLOOR TO DRAIN BY OTHERS.



**FRONT VIEW**

**36" X 36" #5 BAR  
 @ 12" ON CENTER  
 TIED INTO THE MAT**



**RIGHT VIEW**

Coating (Int):  
 Coating (Ext):

Seam Up: Flat  
 Seam Dn: n/a

Wall Thickness: 6"  
 Floor Height: 6"

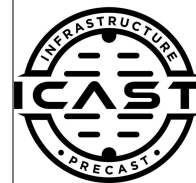
Height (Int): 72"  
 Height (Ext): 78"

Weight (Net): 18887 lb  
 Volume (Net): 4.82cu.yd

Job Name: 25-4236 Christiana Way Vault  
 Job Location: Lavergne, TN  
 Contractor: Hayes Pipe Supply

Plant:  
 1/23/2026 11:50:26 AM

Tech: J. Coppage  
 PC: E. Bradley



**Structure ID: 2-54236**

**P1 BX8496-06W06-VF**

**BOX BASE 6inW, 6inF, Variable Ht**

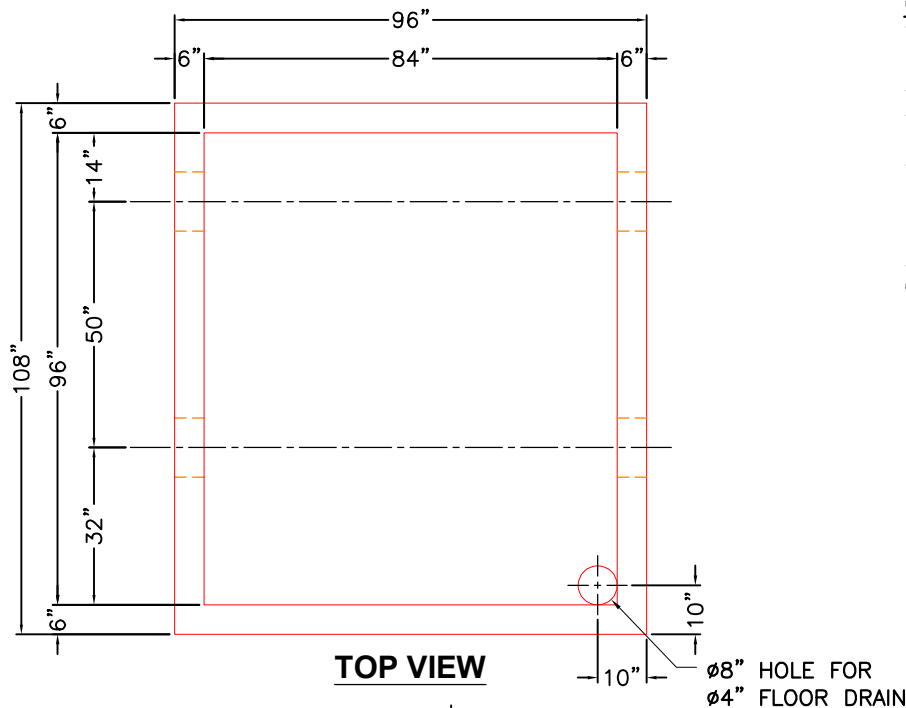
P3) 48" x 72" - CASTING (cast in) - 3"  
 P2) 84" x 96" - CB FLAT TOP 6"W SPECIAL (72" x 48" HATCH) - 6"  
 P1) 84" x 96" - BOX BASE 6inW, 6inF, Variable Ht - 72"  
 1) SECONDARY POUR - WALLS  
 4) Hole - 12  
 1) Hole - 8

0 lb  
 3480 lb  
 18887 lb  
 0 lb  
 0 lb  
 0 lb  
 Structure Total: 22367 lb

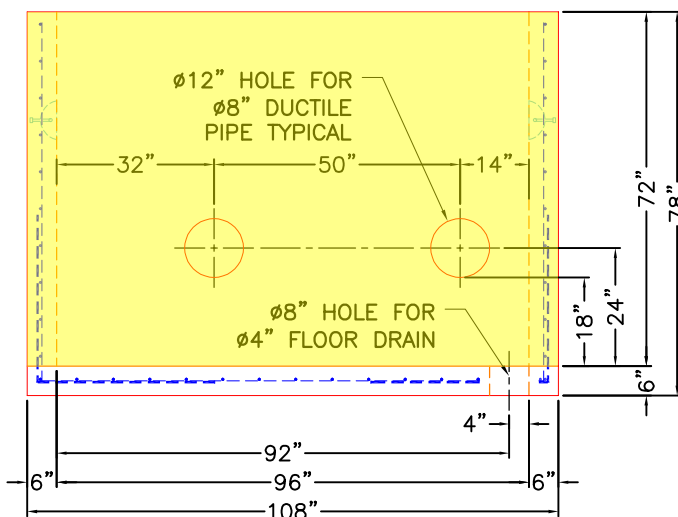
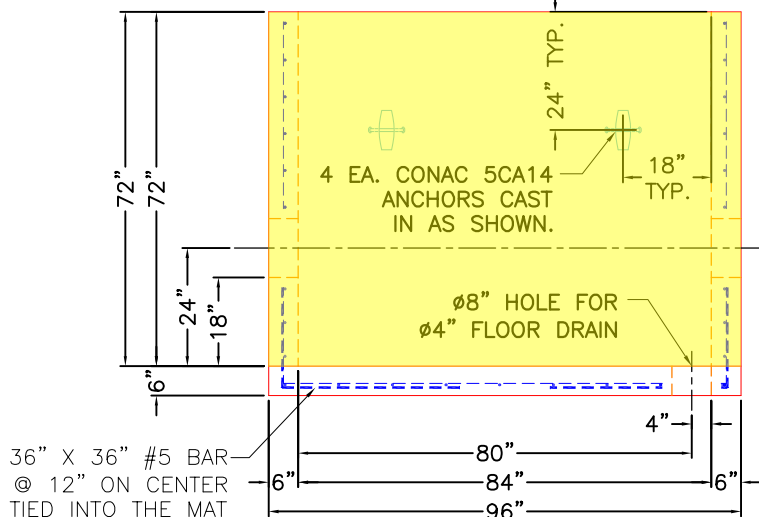
**Structure Notes:**  
 1. PER ASTM C913 SPECIFICATIONS.  
 2. CONCRETE = 4,000 PSI AT 28 DAYS.  
 3. NO INVERT CHANNEL.  
 4. REINFORCING PER ASTM A615 (GRADE 60).  
 - TOP SLAB (As .62) #5 BARS AT 6" C.C.E.W.  
 - WALLS (As .12) #5 BARS AT 12" C.C.E.W.  
 - FLOOR (As .12) #5 BARS AT 12" C.C.E.W.

**SECOND POUR DRAWING**

Rim: 6.5' Rim to Invert: 6.5' Slack: 0" Sump: 0" Step Position:



**GENERAL NOTES:**  
 1. MANUFACTURED TO ASTM C-913 (LATEST REVISION).  
 2. CONCRETE: 5,000 PSI AT 28 DAYS.  
 3. REINFORCING: #5 BAR @ 12" C-C E.W. PER ASTM A615 (GRADE 60).  
 4. WEIGHTS:  
 FIRST POUR = 5,195 LBS  
**SECOND POUR = 13,692 LBS**  
 TOTAL = 18,887 LBS  
 5. LADDER PROVIDED BY OTHERS.  
 6. SLOPE FLOOR TO DRAIN BY OTHERS.



Coating (Int): Coating (Ext):	Seam Up: Flat Seam Dn: n/a	Wall Thickness: 6" Floor Height: 6"	Height (Int): 72" Height (Ext): 78"	Weight (Net): 18887 lb Volume (Net): 4.82cu.yd
----------------------------------	-------------------------------	--	--	---