

**Job Name: 25-4219 - Hitachi Berea**  
**Job Location: Berea, KY**  
**Contractor: Brown General Contractors**

PC: J. Jarvis  
 TECH: J. Horsley - F  
 Plant: 100



Structure ID: **ST-4**

Spec: Storm  
 Type: STM.MH (Recessed pipe)  
 Size: 48"

Rim: 963.1'  
 Invert: 955.1'  
 Rim to Invert: 8'

Sump: 0"  
 Floor (Top): 955.1'  
 Floor Height: 6"

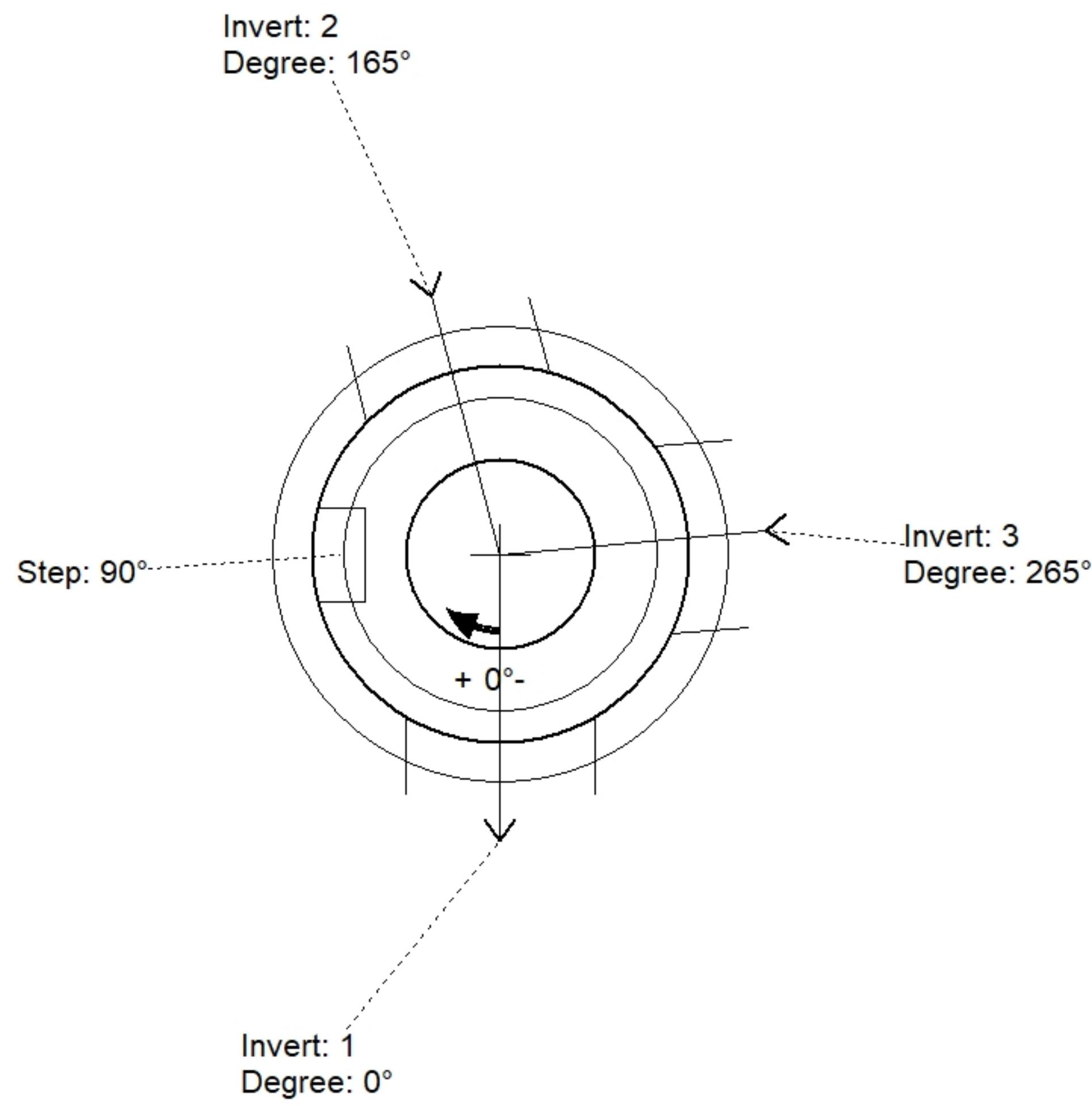
Floor (Bot): 954.6'  
 Overall Height: 8.417'  
 Slack: 1"

**Structure Notes:**

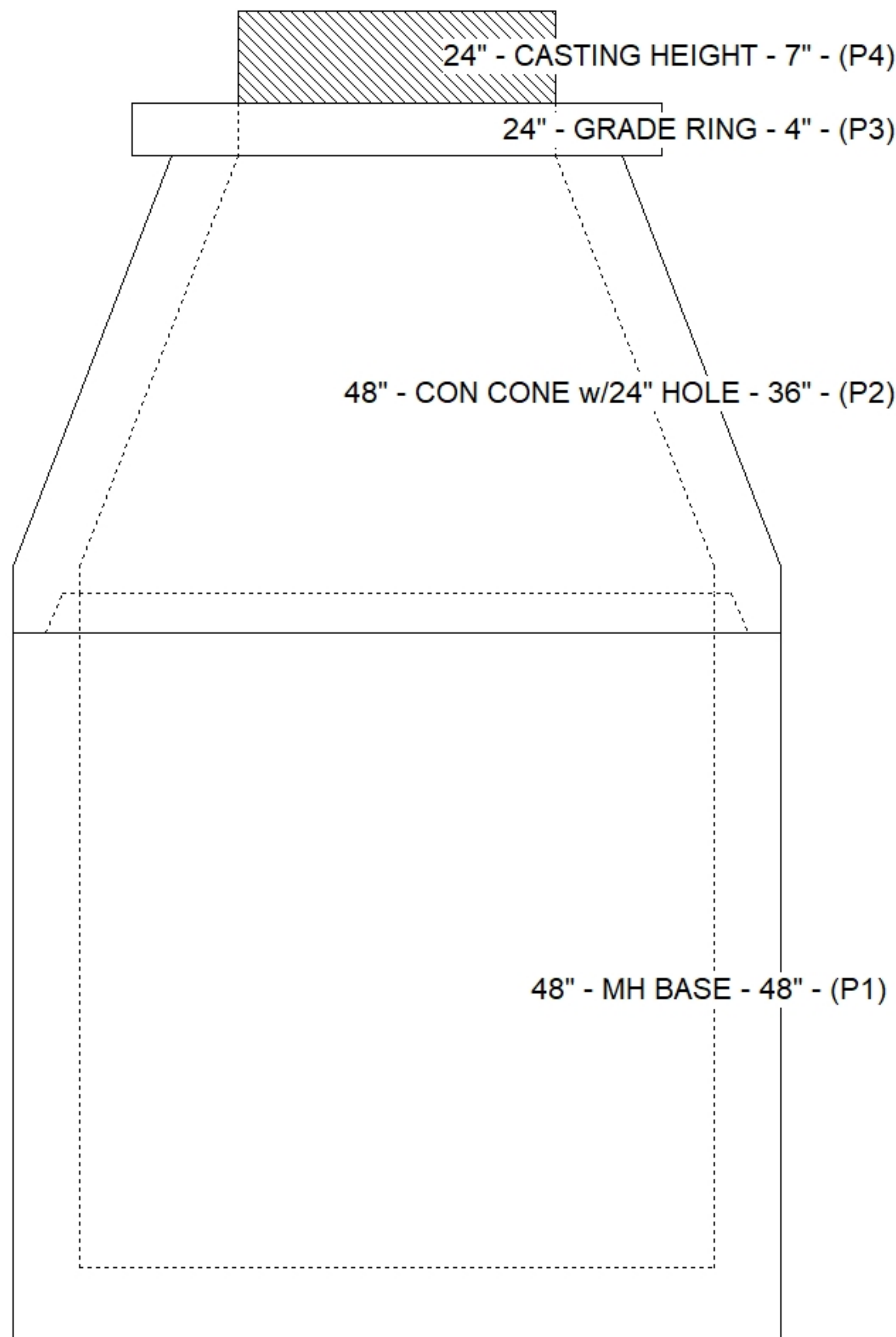
- PER ASTM C478 SPECIFICATIONS.
  - CONCRETE = 4,000 PSI AT 28 DAYS.
  - NO INVERT CHANNEL.
  - CASTING BY ICAST (HOE MCB-315R F/G).
- REINFORCING PER ASTM A615 (GRADE 60).  
 - CONE (As .12)  
 - RISER/WALLS (As .12)  
 - FLOOR (As .31) #5 BARS AT 12" C.C.E.W.

**STRUCTURE SUMMARY:**

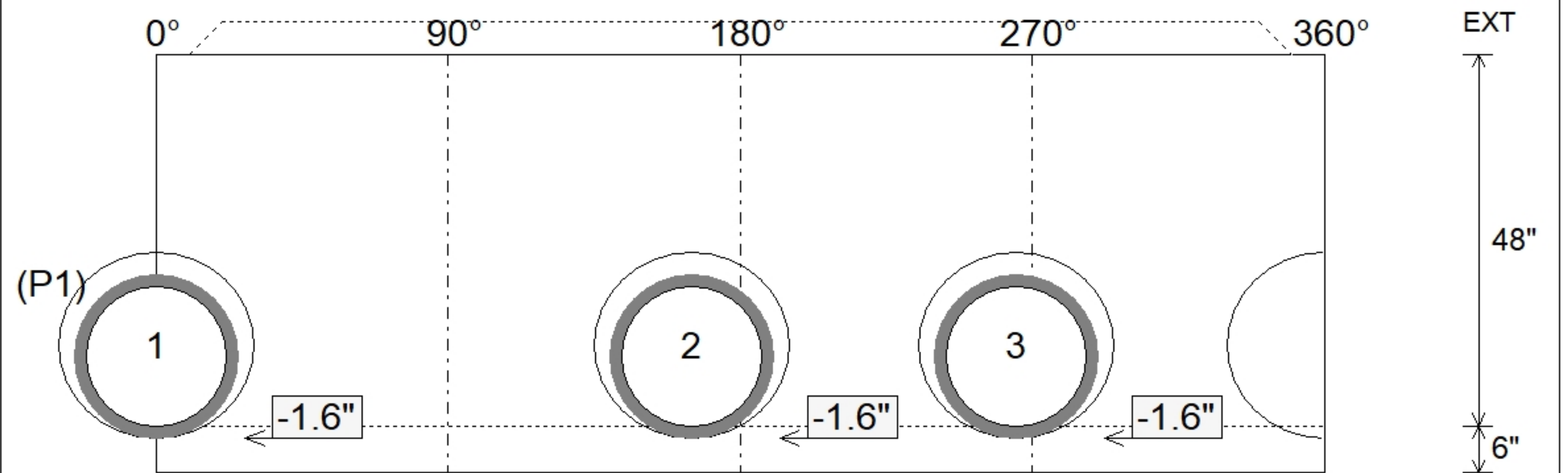
P4) 24" - CASTING HEIGHT - 7"	0 lb
P3) 24" - GRADE RING - 4"	270 lb
P2) 48" - CON CONE w/24" HOLE - 36"	2252 lb
P1) 48" - MH BASE - 48"	4086 lb
1) CASTING - HOE MCB-315-R F/G	258 lb
1) 48" - Conseal CS-102 1.00"	0 lb
3) Hole - 24	0 lb
7) MH Step ML-10-TDS-NCR - 10"	0 lb
<b>Structure Total:</b>	<b>6866 lb</b>



Position	Elev	Angle	Pipe	Pipe OD	Hole	Connector	Up ( )	Ref
Rim	963.1'							
Reducer								
Invert 1	955.1'	0°	18" HDPE	21.2"	24"	Hole 24	-1.6"	P1
Invert 2	955.1'	165°	18" HDPE	21.2"	24"	Hole 24	-1.6"	P1
Invert 3	955.1'	265°	18" HDPE	21.2"	24"	Hole 24	-1.6"	P1
Invert 4								
Invert 5								
Invert 6								
Invert 7								
Invert 8								



**Default - Interior Dimensions**



Submittal Drawing  
 3/27/2026 9:55:52 AM

SUBMITTAL  
 APPROVED BY: