

Job Name: 25-4212 - Greentree Lane Sewer
 Job Location: Mt. Washington, KY
 Contractor: Citgo Waterworks

Plant: 100

Tech: J. Horsley - F

12/10/2025 2:26:52 PM

PC: C. Goff



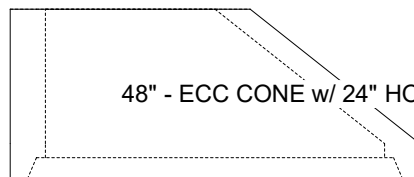
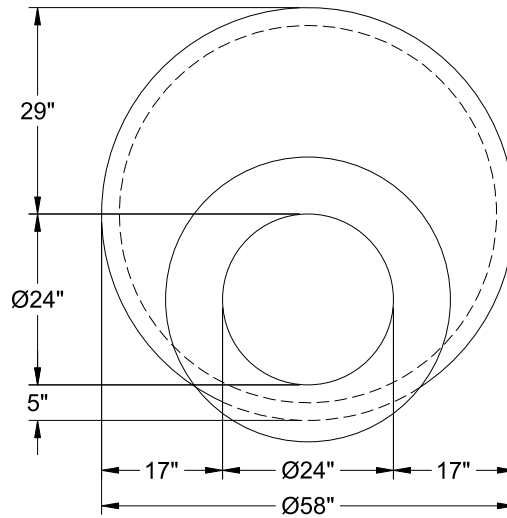
Structure ID: B1

P4 MH048CN24-S

ECC CONE w/ 24" HOLE NO STEP F/G

P5) 24" - CASTING HEIGHT - 4.75"	0 lb
P4) 48" - ECC CONE w/ 24" HOLE NO STEP F/G - 24"	1550 lb
P3) 60" - MH Transition Slab 48" Hole T/G - 13"	1928 lb
P2) 60" - MH RISER Custom Ht T/F - 50"	4778 lb
P1) 60" - P.I.P. BY OTHERS - BTM SLAB F/n - 0"	0 lb
1) JOINT WRAP - 0.065"x6"x50' CONSEAL CS212	0 lb
1) JOINT WRAP PRIMER - CONSEAL CS-75 (1 gal.)	0 lb
1) SPECIAL Internal Coating - Carboline 300M	0 lb
2) 60" - Conseal CS-102 1.00" (Double)	0 lb
1) 48" - Conseal CS-102 1.00" (Double)	0 lb
1) PSX - 16M NYLO	8 lb
2) DOGHOUSE - 16"x22"	0 lb
139.41 SqFt) Carboline Bitumastic 300M [INT]	0 lb
Structure Total:	8264 lb

Structure Notes:
 1. PER ASTM C-478 SPECIFICATIONS
 2. CONCRETE: 4,000 PSI AT 28 DAYS
 3. REINFORCEMENT: PER ASTM A615
 4. NO STEPS
 5. CARBOLINE 300M INTERNAL COATING REQUIRED
 6. CASTING SUPPLIED BY OTHERS



48" - ECC CONE w/ 24" HOLE NO STEP F/G - 24" - (P4)

Coating (Int): Carboline Bitumastic 300M
 Coating (Ext):

Seam Up: Flat
 Seam Dn: Groove

Wall Thickness: 5"

Height (Ext): 24"

Weight (Net): 1550 lb
 Volume (Net): 0.33cu.yd