

Job Name: 25-4212 - Greentree Lane Sewer  
 Job Location: Mt. Washington, KY  
 Contractor: Citgo Waterworks

Plant: 100

Tech: J. Horsley - F

12/10/2025 2:26:23 PM

PC: C. Goff



**Structure ID: B1**

**P2 MH060RSVF**

**MH RISER Custom Ht T/F**

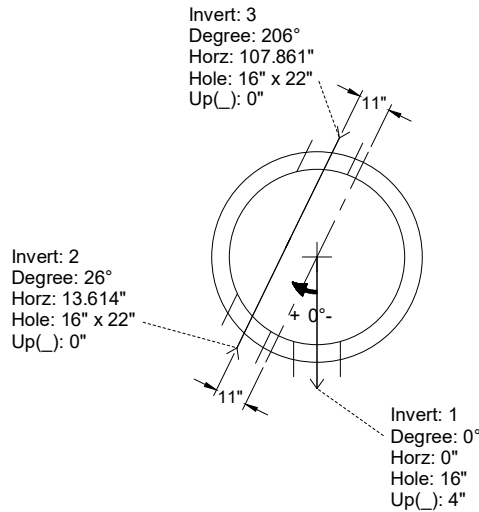
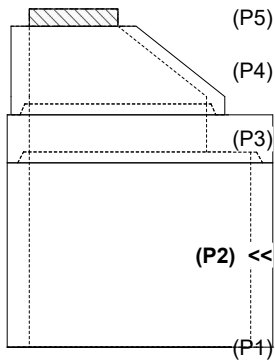
|  |                |
|--|----------------|
| P5) 24" - CASTING HEIGHT - 4.75"                 | 0 lb           |
| P4) 48" - ECC CONE w/ 24" HOLE NO STEP F/G - 24" | 1550 lb        |
| P3) 60" - MH Transition Slab 48" Hole T/G - 13"  | 1928 lb        |
| P2) 60" - MH RISER Custom Ht T/F - 50"           | 4778 lb        |
| P1) 60" - P.I.P. BY OTHERS - BTM SLAB F/n - 0"   | 0 lb           |
| 1) JOINT WRAP - 0.065"x6"x50' CONSEAL CS212      | 0 lb           |
| 1) JOINT WRAP PRIMER - CONSEAL CS-75 (1 gal.)    | 0 lb           |
| 1) SPECIAL Internal Coating - Carboline 300M     | 0 lb           |
| 2) 60" - Conseal CS-102 1.00" (Double)           | 0 lb           |
| 1) 48" - Conseal CS-102 1.00" (Double)           | 0 lb           |
| 1) PSX - 16M NYLO                                | 8 lb           |
| 2) DOGHOUSE - 16"x22"                            | 0 lb           |
| 139.41 SqFt) Carboline Bitumastic 300M [INT]     | 0 lb           |
| <b>Structure Total:</b>                          | <b>8264 lb</b> |

- Structure Notes:**
1. PER ASTM C-478 SPECIFICATIONS
  2. CONCRETE: 4,000 PSI AT 28 DAYS
  3. REINFORCEMENT: PER ASTM A615
  4. NO STEPS
  5. CARBOLINE 300M INTERNAL COATING REQUIRED
  6. CASTING SUPPLIED BY OTHERS
  7. INVERTS 2 & 3 OFFSET 11" FROM CENTER

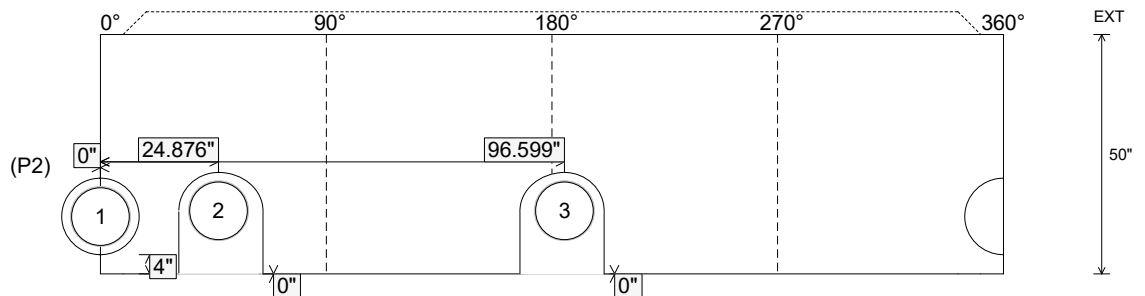
Rim: 670.82' Rim to Invert: 7.15' Slack: 0.05" Sump: 6" Step Position:

| Position | Elev    | Angle | Ext. (cw) | Pipe          | Pipe OD | Connector        | Hole      | Horz Size | Up ( ) | Offset |
|----------|---------|-------|-----------|---------------|---------|------------------|-----------|-----------|--------|--------|
| Invert 1 | 663.67' | 0°    | 0"        | 12" PVC SDR35 | 12.5"   | PSX 16M NYLO     | 16"       | 16.196"   | 4"     | 0"     |
| Invert 2 | 663.77' | 26°   | 27.515"   | 12" PVC SDR35 | 12.5"   | DOGHOUSE 16"x22" | 16" x 22" | 17.571"   | 0"     | 11"    |
| Invert 3 | 663.77' | 206°  | 118.255"  | 12" PVC SDR35 | 12.5"   | DOGHOUSE 16"x22" | 16" x 22" | 17.571"   | 0"     | -11"   |
| Invert 4 |         |       |           |               |         |                  |           |           |        |        |
| Invert 5 |         |       |           |               |         |                  |           |           |        |        |
| Invert 6 |         |       |           |               |         |                  |           |           |        |        |
| Invert 7 |         |       |           |               |         |                  |           |           |        |        |
| Invert 8 |         |       |           |               |         |                  |           |           |        |        |

**RIGHT-SIDE UP VIEW (int. dimensions)**



**INSIDE WALL DIMENSIONS**



Coating (Int): Carboline Bitumastic 300M  
 Coating (Ext):

Seam Up: Tongue  
 Seam Dn: Flat

Wall Thickness: 6"  
 Floor Height: 0"

Height (Int): 50"  
 Height (Ext): 50"

Weight (Net): 4778 lb  
 Volume (Net): 1.22cu.yd