

Job Name: 25-4212 - Greentree Lane Sewer
Job Location: Mt. Washington, KY
Contractor: Citgo Waterworks

PC: C. Goff
 TECH: J. Horsley - F
 Plant: 100



Structure ID: **A6**

Spec: Sanitary
 Type: SAN.MH Transition
 Size: 60"

Rim: 672.01'
 Invert: 660.25'
 Rim to Invert: 11.76'

Sump: 2.63"
 Floor (Top): 660.031'
 Floor Height: 8"

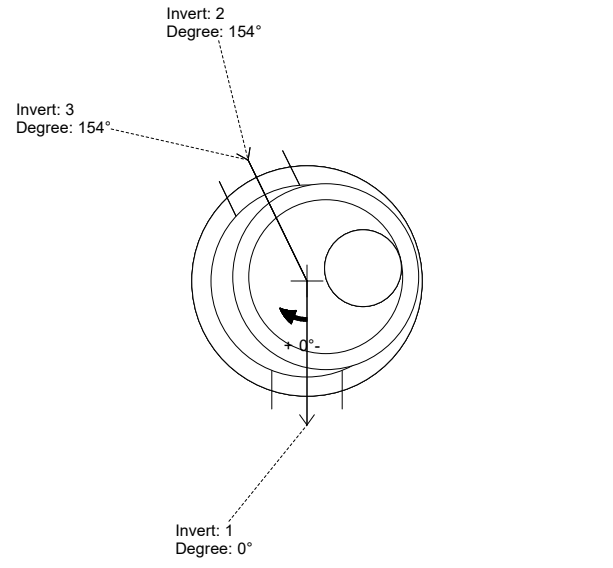
Floor (Bot): 659.364'
 Overall Height: 12.646'
 Slack: 0"

Structure Notes:

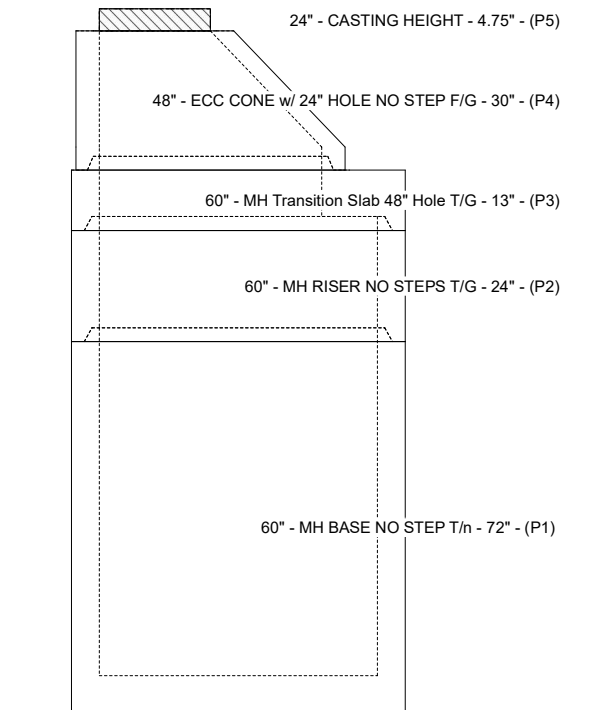
1. PER ASTM C-478 SPECIFICATIONS
2. CONCRETE: 4,000 PSI AT 28 DAYS
3. REINFORCEMENT: PER ASTM A615
4. NO STEPS
5. CARBOLINE 300M INTERNAL COATING REQUIRED
6. INVERT CHANNEL REQUIRED
7. CASTING SUPPLIED BY OTHERS
8. EXTERNAL DROP AT INVERTS 2 & 3 SUPPLIED BY OTHERS

STRUCTURE SUMMARY:

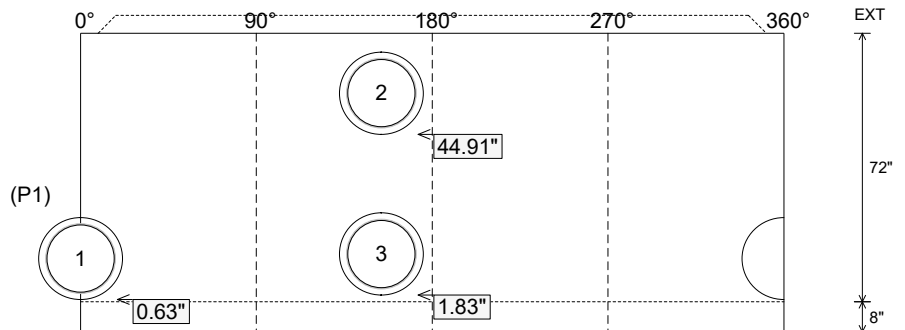
P5)	24" - CASTING HEIGHT - 4.75"	0 lb
P4)	48" - ECC CONE w/ 24" HOLE NO STEP F/G - 30"	2050 lb
P3)	60" - MH Transition Slab 48" Hole T/G - 13"	1928 lb
P2)	60" - MH RISER NO STEPS T/G - 24"	2505 lb
P1)	60" - MH BASE NO STEP T/n - 72"	9664 lb
1)	JOINT WRAP - 0.065"x6"x50' CONSEAL CS212	0 lb
1)	JOINT WRAP PRIMER - CONSEAL CS-75 (1 gal.)	0 lb
1)	60" - MH INVERT CHANNEL - FULL HEIGHT	2692 lb
1)	SPECIAL Internal Coating - Carboline 300M	0 lb
2)	60" - Conseal CS-102 1.00" (Double)	0 lb
1)	48" - Conseal CS-102 1.00" (Double)	0 lb
3)	Kor-N-Seal2 - S206-22	20 lb
	203.92 SqFt) Carboline Bitumastic 300M [INT]	0 lb
	Structure Total:	18859 lb



Position	Elev	Angle	Pipe	Pipe OD	Hole	Connector	Up (")	Ref
Rim	672.01'							
Reducer	668.031'							
Invert 1	660.25'	0°	18" PVC SDR35	18.75"	22"	Kor-N-Seal2 S206-22	0.63"	P1
Invert 2	663.94'	154°	18" PVC SDR35	18.75"	22"	Kor-N-Seal2 S206-22	44.91"	P1
Invert 3	660.35'	154°	18" PVC SDR35	18.75"	22"	Kor-N-Seal2 S206-22	1.83"	P1
Invert 4								
Invert 5								
Invert 6								
Invert 7								
Invert 8								



Cast (Int. Dim.) - Interior Dimensions



Submittal Drawing
 12/10/2025 2:20:18 PM

SUBMITTAL
 APPROVED BY: