

Job Name: 25-4212 - Greentree Lane Sewer  
 Job Location: Mt. Washington, KY  
 Contractor: Citgo Waterworks

Plant: 100

Tech: J. Horsley - F

12/10/2025 2:26:44 PM

PC: C. Goff



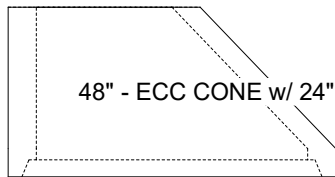
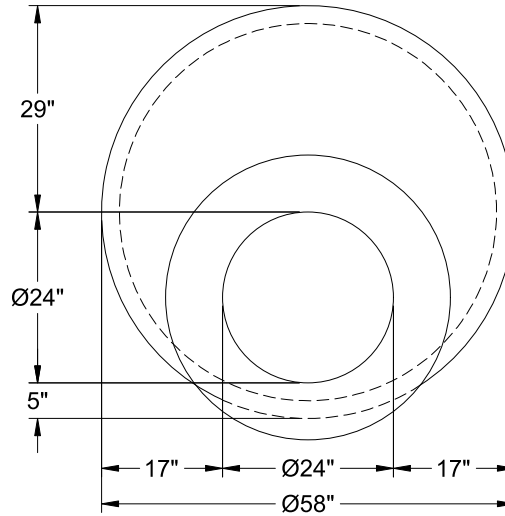
**Structure ID: A5**

**P3 MH048CN30-S**

**ECC CONE w/ 24" HOLE NO STEP F/G**

P4) 24" - CASTING HEIGHT - 4.75"	0 lb
P3) 48" - ECC CONE w/ 24" HOLE NO STEP F/G - 30"	2050 lb
P2) 60" - MH Transition Slab 48" Hole T/G - 13"	1928 lb
P1) 60" - MH BASE NO STEP T/n - 60"	8606 lb
1) JOINT WRAP - 0.065"x6"x50' CONSEAL CS212	0 lb
1) JOINT WRAP PRIMER - CONSEAL CS-75 (1 gal.)	0 lb
1) 60" - MH INVERT CHANNEL - FULL HEIGHT	2692 lb
1) SPECIAL Internal Coating - Carboline 300M	0 lb
1) 60" - Conseal CS-102 1.00" (Double)	0 lb
1) 48" - Conseal CS-102 1.00" (Double)	0 lb
2) Kor-N-Seal2 - S206-22	13 lb
156.8 SqFt) Carboline Bitumastic 300M [INT]	0 lb
Structure Total:	15289 lb

- Structure Notes:
1. PER ASTM C-478 SPECIFICATIONS
  2. CONCRETE: 4,000 PSI AT 28 DAYS
  3. REINFORCEMENT: PER ASTM A615
  4. NO STEPS
  5. CARBOLINE 300M INTERNAL COATING REQUIRED
  6. CASTING SUPPLIED BY OTHERS



48" - ECC CONE w/ 24" HOLE NO STEP F/G - 30" - (P3)

Coating (Int): Carboline Bitumastic 300M  
 Coating (Ext):

Seam Up: Flat  
 Seam Dn: Groove

Wall Thickness: 5"

Height (Ext): 30"

Weight (Net): 2050 lb  
 Volume (Net): 0.41cu.yd