

**Job Name: 25-4212 - Greentree Lane Sewer**  
**Job Location: Mt. Washington, KY**  
**Contractor: Citgo Waterworks**

PC: C. Goff  
 TECH: J. Horsley - F  
 Plant: 100



Structure ID: **A4**

Spec: Sanitary  
 Type: SAN.MH Transition w/Ext. Drop  
 Size: 60"

Rim: 669.83'  
 Invert: 658.47'  
 Rim to Invert: 11.36'

Sump: 2"  
 Floor (Top): 658.303'  
 Floor Height: 8"

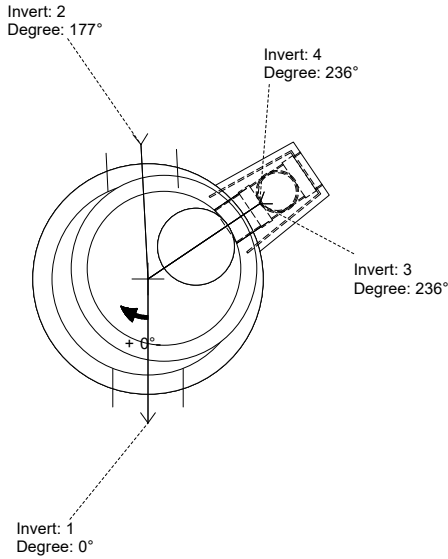
Floor (Bot): 657.637'  
 Overall Height: 12.146'  
 Slack: 0.57"

Structure Notes:

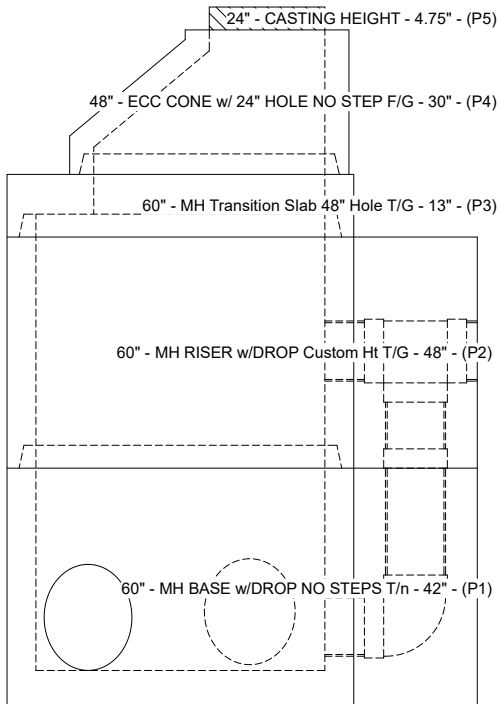
1. PER ASTM C-478 SPECIFICATIONS
2. CONCRETE: 4,000 PSI AT 28 DAYS
3. REINFORCEMENT: PER ASTM A615
4. NO STEPS
5. CARBOLINE 300M INTERNAL COATING REQUIRED
6. CASTING SUPPLIED BY OTHERS
7. EXTERNAL DROP AT INVERTS 3 & 4 SUPPLIED BY ICAST

STRUCTURE SUMMARY:

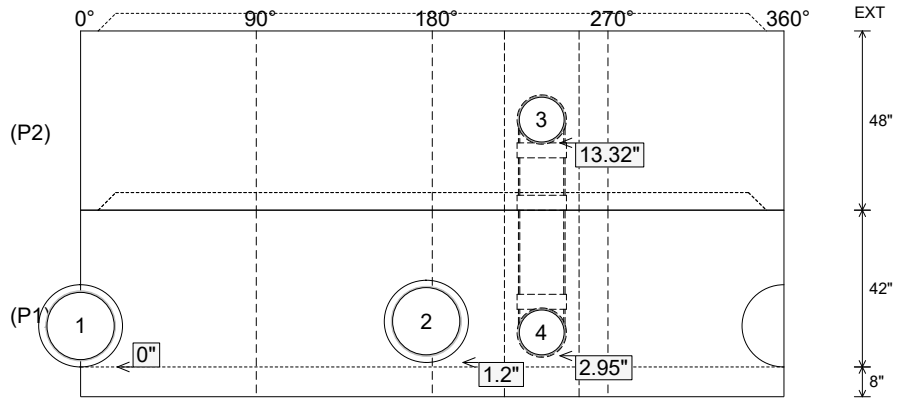
P5)	24" - CASTING HEIGHT - 4.75"	0 lb
P4)	48" - ECC CONE w/ 24" HOLE NO STEP F/G - 30"	2050 lb
P3)	60" - MH Transition Slab 48" Hole T/G - 13"	1928 lb
P2)	60" - MH RISER w/DROP Custom Ht T/G - 48"	4949 lb
P1)	60" - MH BASE w/DROP NO STEPS T/n - 42"	6665 lb
1)	JOINT WRAP - 0.065"x6"x50' CONSEAL CS212	0 lb
1)	JOINT WRAP PRIMER - CONSEAL CS-75 (1 gal.)	0 lb
1)	60" - MH INVERT CHANNEL - FULL HEIGHT	2692 lb
1)	SPECIAL Internal Coating - Carboline 300M	0 lb
1)	SECONDARY POUR - Add Drop to Base	2150 lb
1)	SECONDARY POUR - Add Drop to Riser	2064 lb
2)	60" - Conseal CS-102 1.00" (Double)	0 lb
1)	48" - Conseal CS-102 1.00" (Double)	0 lb
2)	Kor-N-Seal2 - S206-22	13 lb
1)	Drop Tee - 12" PVC	0 lb
1)	Drop Elbow - 12" PVC	0 lb
	196.07 SqFt) Carboline Bitumastic 300M [INT]	0 lb
	<b>Structure Total:</b>	<b>22511 lb</b>



Position	Elev	Angle	Pipe	Pipe OD	Hole	Connector	Up (")	Ref
Rim	669.83'							
Reducer	665.803'							
Invert 1	658.47'	0°	18" PVC SDR35	18.75"	22"	Kor-N-Seal2 S206-22	0"	P1
Invert 2	658.57'	177°	18" PVC SDR35	18.75"	22"	Kor-N-Seal2 S206-22	1.2"	P1
Invert 3	663.33'	236°	12" PVC SDR35	12.5"	12.5"	Drop Tee 12" PVC	13.32"	P2
Invert 4	658.57'	236°	12" PVC SDR35	12.5"	12.5"	Drop Elbow 12" PVC	2.95"	P1
Invert 5								
Invert 6								
Invert 7								
Invert 8								



Cast (Int. Dim.) - Interior Dimensions



Submittal Drawing  
 12/10/2025 2:20:15 PM

SUBMITTAL  
 APPROVED BY: