

Job Name: 25-4212 - Greentree Lane Sewer
 Job Location: Mt. Washington, KY
 Contractor: Citgo Waterworks

Plant: 100

12/10/2025 2:26:43 PM

Tech: J. Horsley - F

PC: C. Goff



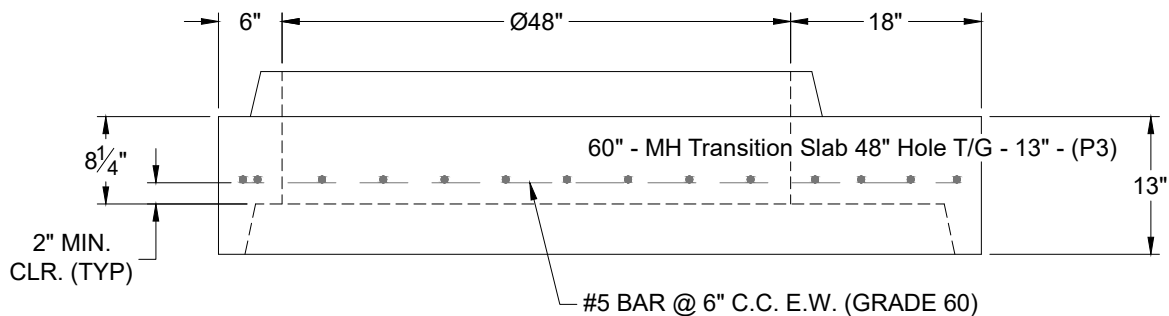
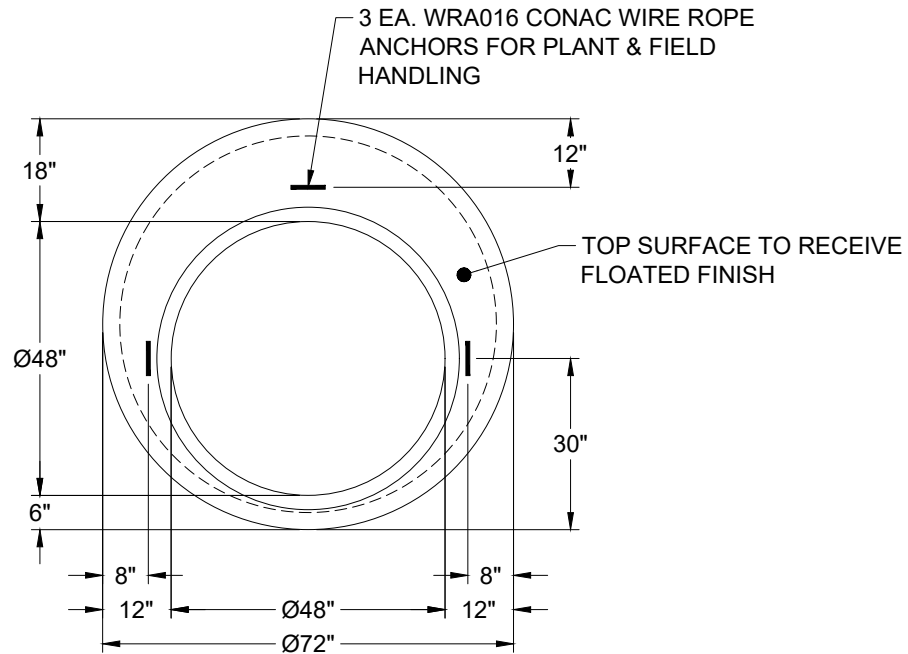
Structure ID: A4

P3 MH060TS13-48ECC

MH Transition Slab 48" Hole T/G

P5)	24" - CASTING HEIGHT - 4.75"	0 lb
P4)	48" - ECC CONE w/ 24" HOLE NO STEP F/G - 30"	2050 lb
P3)	60" - MH Transition Slab 48" Hole T/G - 13"	1928 lb
P2)	60" - MH RISER w/DROP Custom Ht T/G - 48"	4949 lb
P1)	60" - MH BASE w/DROP NO STEPS T/n - 42"	6665 lb
1)	JOINT WRAP - 0.065"x6"x50' CONSEAL CS212	0 lb
1)	JOINT WRAP PRIMER - CONSEAL CS-75 (1 gal.)	0 lb
1)	60" - MH INVERT CHANNEL - FULL HEIGHT	2692 lb
1)	SPECIAL Internal Coating - Carboline 300M	0 lb
1)	SECONDARY POUR - Add Drop to Base	2150 lb
1)	SECONDARY POUR - Add Drop to Riser	2064 lb
2)	60" - Conseal CS-102 1.00" (Double)	0 lb
1)	48" - Conseal CS-102 1.00" (Double)	0 lb
2)	Kor-N-Seal2 - S206-22	13 lb
1)	Drop Tee - 12" PVC	0 lb
1)	Drop Elbow - 12" PVC	0 lb
	196.07 SqFt) Carboline Bitumastic 300M [INT]	0 lb
	Structure Total:	22511 lb

- Structure Notes:**
- PER ASTM C-478 SPECIFICATIONS
 - CONCRETE: 4,000 PSI AT 28 DAYS
 - REINFORCEMENT: #5 BAR @ 6" C.C. E.W. (GRADE 60) - 2" MIN. REBAR CLEARANCE (TYP)
 - NO STEPS
 - CARBOLINE 300M INTERNAL COATING REQUIRED
 - CASTING SUPPLIED BY OTHERS
 - LIFTERS: 3 EA. WRA016 CONAC WIRE ROPE ANCHORS FOR PLANT & FIELD HANDLING



Coating (Int): Carboline Bitumastic 300M
 Coating (Ext):

Seam Up: Tongue
 Seam Dn: Groove

Wall Thickness: 6"

Height (Ext): 13"

Weight (Net): 1928 lb
 Volume (Net): 0.49cu.yd